



# Frontier Electronics Corp.

667 E. COCHRAN STREET, SIMI VALLEY, CA 93065

TEL: (805) 522-9998

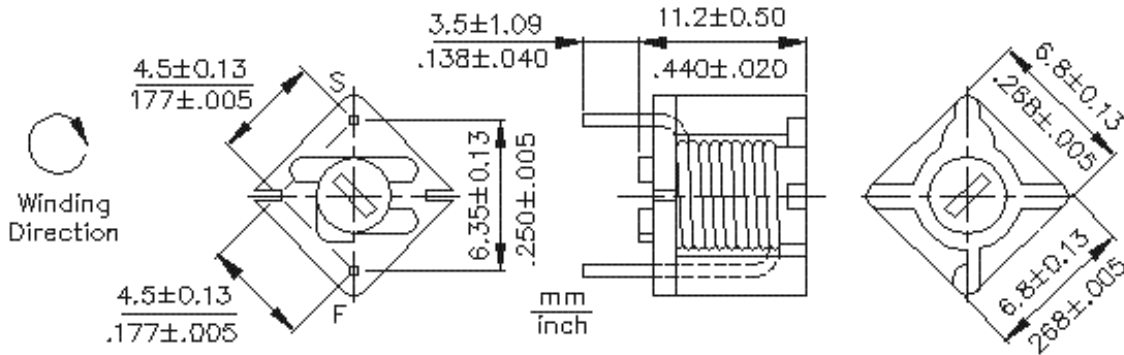
FAX: (805) 522-9989

E-mail: frontiersales@frontierusa.com

Web: frontierusa.com

## Insert Molded Coil—2435 series

### A. Mechanical Drawing:



### B. Electrical Specification:

Part No.	L Min. (uH)	L Nom. (uH)	L Max. (uH)	Q Min. @ L Nom.	Color
2435-01	0.0460	0.0475	0.0485	80 @ 50MHz	Brown
2435-02	0.0620	0.0700	0.0780	85 @ 50MHz	Red
2435-03	0.0820	0.0980	0.1140	108 @ 50MHz	Orange
2435-04	0.1080	0.1300	0.1540	114 @ 50MHz	Yellow
2435-05	0.1370	0.1650	0.1930	114 @ 50 MHz	Green
2435-06	0.1760	0.2050	0.2340	112 @ 50 MHz	Blue
2435-07	0.2220	0.2450	0.2680	108 @ 40 MHz	Violet

### C. Features:

1. Plastic molded.
2. High reliability.
3. Low cost.

### D. Measurement:

1. Q and L measured with  $\frac{1}{2}$ " long of TCW#16 soldered along the coil leads and with one end flush with the bottom of the coil then bent  $\frac{1}{4}$ " down from stand off at an angle of  $90^\circ$ .
2. L min. measured with core halfway out of the top of the form.
3. Inductance greater than 0.1uH read at recommended Q meter frequency.
4. Inductance below 0.1uH calculated from readings taken at 50MHz.

### E. Test equipment:

Q meter (HP 4342A)