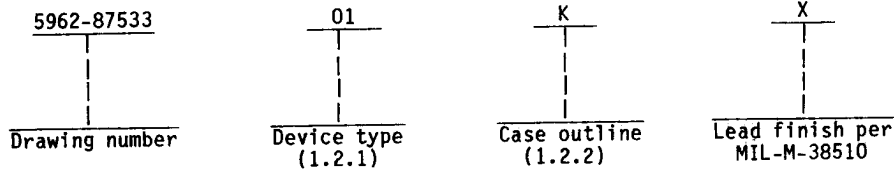




1. SCOPE

1.1 Scope. This drawing describes device requirements for class B microcircuits in accordance with 1.2.1 of MIL-STD-883, "Provisions for the use of MIL-STD-883 in conjunction with compliant non-JAN devices".

1.2 Part number. The complete part number shall be as shown in the following example:



1.2.1 Device type. The device type shall identify the circuit function as follows:

| Device type | Generic number | Circuit function  |
|-------------|----------------|---|
| 01          | 54ALS857       | Hex, two-input universal multiplexer with 3-state outputs |

1.2.2 Case outlines. The case outlines shall be as designated in appendix C of MIL-M-38510, and as follows:

| Outline letter | Case outline  |
|----------------|---|
| K              | F-6 (24-lead, 3/8" x 5/8"), flat package                      |
| 3              | C-4 (28-terminal, .450" x .450"), square chip carrier package |

1.3 Absolute maximum ratings.

|  |                                  |
|--|----------------------------------|
| Supply voltage range - - - - -                           | -0.5 V dc to +7.0 V dc           |
| Input voltage range- - - - -                             | -1.5 V dc at -18 mA to +7.0 V dc |
| Storage temperature range- - - - -                       | -65°C to 150°C                   |
| Maximum power dissipation (P <sub>D</sub> ) 1/ - - - - - | 198 mW                           |
| Lead temperature (soldering, 10 seconds) - - - - -       | +300°C                           |
| Thermal resistance, junction-to-case (θ <sub>JC</sub> ): |                                  |
| Cases K and 3 - - - - -                                  | 60°C/W                           |
| Junction temperature (T <sub>J</sub> )- - - - -          | +175°C                           |

1.4 Recommended operating conditions.

|   |                                |
|---|--------------------------------|
| Supply voltage (V <sub>CC</sub> ) - - - - -                   | 4.5 V dc to 5.5 V dc           |
| Minimum high level input voltage (V <sub>IH</sub> ) - - - - - | 2.0 V dc                       |
| Maximum low level input voltage (V <sub>IL</sub> ) - - - - -  | 0.7 V dc                       |
| Normalized fanout (each output) 2/ - - - - -                  | 10 maximum at low logic level  |
|   | 20 maximum at high logic level |
| Case operating temperature range (T <sub>C</sub> )- - - - -   | -55°C to +125°C                |

1/ Must withstand the added P<sub>D</sub> due to short circuit test (e.g., I<sub>0</sub>).

2/ Device will fanout in both high and low levels to the specified number of data inputs on the same device type as that being tested.

|  |           |                                 |                       |
|--|-----------|---------------------------------|-----------------------|
| <b>MILITARY DRAWING</b><br>DEFENSE ELECTRONICS SUPPLY CENTER<br>DAYTON, OHIO | SIZE<br>A | CODE IDENT. NO.<br><b>14933</b> | DWG NO.<br>5962-87533 |
|  |           | REV                             | PAGE 2                |

查询"5962-87533013X"供应商

2. APPLICABLE DOCUMENTS

2.1 Government specification and standard. Unless otherwise specified, the following specification and standard, of the issue listed in that issue of the Department of Defense Index of Specifications and Standards specified in the solicitation, form a part of this drawing to the extent specified herein.

SPECIFICATION

MILITARY

MIL-M-38510 - Microcircuits, General Specification for.

STANDARD

MILITARY

MIL-STD-883 - Test Methods and Procedures for Microelectronics.

(Copies of the specification and standard required by contractors in connection with specific acquisition functions should be obtained from the contracting activity or as directed by the contracting activity.)

2.2 Order of precedence. In the event of a conflict between the text of this drawing and the references cited herein, the text of this drawing shall take precedence.

3. REQUIREMENTS

3.1 Item requirements. The individual item requirements shall be in accordance with 1.2.1 of MIL-STD-883, "Provisions for the use of MIL-STD-883 in conjunction with compliant non-JAN devices" and as specified herein.

3.2 Design, construction, and physical dimensions. The design, construction, and physical dimensions shall be as specified in MIL-M-38510 and herein.

3.2.1 Terminal connections. The terminal connections shall be as specified on figure 1.

3.2.2 Truth table. The truth table shall be as specified on figure 2.

3.2.3 Logic diagram. The logic diagram shall be as specified on figure 3.

3.2.4 Case outlines. The case outlines shall be in accordance with 1.2.2 herein.

3.3 Electrical performance characteristics. Unless otherwise specified, the electrical performance characteristics are as specified in table I and apply over the full recommended case operating temperature range.

3.4 Marking. Marking shall be in accordance with MIL-STD-883 (see 3.1 herein). The part shall be marked with the part number listed in 1.2 herein. In addition, the manufacturer's part number may also be marked as listed in 6.4 herein.

3.5 Certificate of compliance. A certificate of compliance shall be required from a manufacturer in order to be listed as an approved source of supply in 6.4. The certificate of compliance submitted to DESC-ECS prior to listing as an approved source of supply shall state that the manufacturer's product meets the requirements of MIL-STD-883 (see 3.1 herein) and the requirements herein.

3.6 Certificate of conformance. A certificate of conformance as required in MIL-STD-883 (see 3.1 herein) shall be provided with each lot of microcircuits delivered to this drawing.

|  |           |                                 |                       |
|--|-----------|---------------------------------|-----------------------|
| <b>MILITARY DRAWING</b><br>DEFENSE ELECTRONICS SUPPLY CENTER<br>DAYTON, OHIO | SIZE<br>A | CODE IDENT. NO.<br><b>14933</b> | DWG NO.<br>5962-87533 |
|  |           | REV                             | PAGE 3                |

DESC FORM 193A  
FEB 86



TABLE I. Electrical performance characteristics.

| Test  | Symbol            | Conditions<br>-55°C < T <sub>C</sub> < +125°C 1/<br>unless otherwise specified                 | Group A<br>subgroups | Limits |      | Unit |
|---|-------------------|--|----------------------|--------|------|------|
|   |                   |  |                      | Min    | Max  |      |
| High level output voltage                               | V <sub>OH</sub>   | V <sub>CC</sub> = 4.5 V, I <sub>OH</sub> = -100 μA<br>V <sub>IN</sub> = 0.7 V or 2.0 V         | 1, 2, 3              | 2.4    |      | V    |
| Low level output voltage                                | V <sub>OL</sub>   | V <sub>CC</sub> = 4.5 V, I <sub>OL</sub> = 12 mA<br>V <sub>IN</sub> = 0.7 V or 2.0 V           | 1, 2, 3              |        | 0.4  | V    |
| Input clamp voltage                                     | V <sub>IC</sub>   | V <sub>CC</sub> = 4.5 V, I <sub>IN</sub> = -18 mA,<br>T <sub>C</sub> = 25°C                    | 1                    |        | -1.5 | V    |
| Low level input current                                 | I <sub>IL</sub>   | V <sub>CC</sub> = 5.5 V, V <sub>IN</sub> = 0.4 V   | 1, 2, 3              |        | -200 | μA   |
| High level input current                                | I <sub>IH1</sub>  | V <sub>CC</sub> = 5.5 V, V <sub>IN</sub> = 2.7 V   | 1, 2, 3              |        | 60   | μA   |
|   | I <sub>IH2</sub>  | V <sub>CC</sub> = 5.5 V, V <sub>IN</sub> = 7.0 V   | 1, 2, 3              |        | 300  | μA   |
| Off-state output current,<br>high level voltage applied | I <sub>OZH</sub>  | V <sub>CC</sub> = 5.5 V, V <sub>O</sub> = 2.7 V  | 1, 2, 3              |        | 20   | μA   |
| Off-state output current,<br>low level voltage applied  | I <sub>OZL</sub>  | V <sub>CC</sub> = 5.5 V, V <sub>O</sub> = 0.4 V  | 1, 2, 3              |        | -20  | μA   |
| Output current 1/                                       | I <sub>O</sub>    | V <sub>CC</sub> = 5.5 V, V <sub>O</sub> = 2.25 V   | 1, 2, 3              | -15    | -110 | mA   |
| Supply current outputs high                             | I <sub>CCH</sub>  | V <sub>CC</sub> = 5.5 V,<br>V <sub>IN</sub> = 4.5 V  | 1, 2, 3              |        | 24   | mA   |
| Supply current outputs low                              | I <sub>CCL</sub>  | V <sub>CC</sub> = 5.5 V,<br>V <sub>IN</sub> = 0.0 V  | 1, 2, 3              |        | 33   | mA   |
| Supply current outputs disabled                         | I <sub>CCZ</sub>  | V <sub>CC</sub> = 5.5 V  | 1, 2, 3              |        | 36   | mA   |
| Functional tests  |                   | See 4.3.1c   | 7                    |        |      |      |
| Propagation delay time,<br>A to output                  | t <sub>PLH1</sub> | V <sub>CC</sub> = 5.0 V, C <sub>L</sub> = 50 pF ±10%<br>R <sub>L</sub> = R <sub>1</sub> = 500Ω | 9, 10, 11            |        | 18   | ns   |
|   | t <sub>PHL1</sub> |  | 9, 10, 11            |        | 18   | ns   |

See footnote at end of table.

|  |      |                 |            |
|--|------|-----------------|------------|
| <b>MILITARY DRAWING</b><br>DEFENSE ELECTRONICS SUPPLY CENTER<br>DAYTON, OHIO | SIZE | CODE IDENT. NO. | DWG NO.    |
|  | A    | <b>14933</b>    | 5902-87533 |
|  | REV  | PAGE            | 4          |

DESC FORM 193A  
FEB 86



TABLE I. Electrical performance characteristics - Continued.

| Test   | Symbol            | Conditions<br>-55°C < T <sub>C</sub> < +125°C 1/<br>unless otherwise specified                 | Group A<br>subgroups | Limits |     | Unit |
|--|-------------------|--|----------------------|--------|-----|------|
|  |                   |  |                      | Min    | Max |      |
| Propagation delay time,<br>B to output       | t <sub>PLH2</sub> | V <sub>CC</sub> = 5.0 V, C <sub>L</sub> = 50 pF ±10%<br>R <sub>L</sub> = R <sub>1</sub> = 500Ω | 9, 10, 11            |        | 18  | ns   |
|  | t <sub>PHL2</sub> |  | 9, 10, 11            |        | 18  | ns   |
| Propagation delay time,<br>S0 to output      | t <sub>PLH3</sub> |  | 9, 10, 11            |        | 37  | ns   |
|  | t <sub>PHL3</sub> |  | 9, 10, 11            |        | 37  | ns   |
| Propagation delay time,<br>S1 to output      | t <sub>PLH4</sub> |  | 9, 10, 11            |        | 37  | ns   |
|  | t <sub>PHL4</sub> |  | 9, 10, 11            |        | 37  | ns   |
| Propagation delay time,<br>comp to output    | t <sub>PLH5</sub> |  | 9, 10, 11            |        | 22  | ns   |
|  | t <sub>PHL5</sub> |  | 9, 10, 11            |        | 22  | ns   |
| Propagation delay time,<br>from A to OP = 0  | t <sub>PLH6</sub> |  | 9, 10, 11            |        | 45  | ns   |
|  | t <sub>PHL6</sub> |  | 9, 10, 11            |        | 45  | ns   |
| Propagation delay time,<br>from B to OP = 0  | t <sub>PLH7</sub> |  | 9, 10, 11            |        | 45  | ns   |
|  | t <sub>PHL7</sub> |  | 9, 10, 11            |        | 45  | ns   |
| Propagation delay time,<br>from S0 to OP = 0 | t <sub>PLH8</sub> |  | 9, 10, 11            |        | 30  | ns   |
|  | t <sub>PHL8</sub> |  | 9, 10, 11            |        | 30  | ns   |
| Propagation delay time,<br>from S1 to OP = 0 | t <sub>PLH9</sub> |  | 9, 10, 11            |        | 30  | ns   |
|  | t <sub>PHL9</sub> |  | 9, 10, 11            |        | 30  | ns   |

See footnote at end of table.

|  |           |                                 |                       |
|--|-----------|---------------------------------|-----------------------|
| <b>MILITARY DRAWING</b><br>DEFENSE ELECTRONICS SUPPLY CENTER<br>DAYTON, OHIO | SIZE<br>A | CODE IDENT. NO.<br><b>14933</b> | DWG NO.<br>5962-87533 |
|  |           | REV                             | PAGE 5                |

DESC FORM 193A  
FEB 86

TABLE I. Electrical performance characteristics - Continued.

| Test                                | Symbol | Conditions<br>-55°C < T <sub>C</sub> < +125°C 1/<br>unless otherwise specified                 | Group A<br>subgroups | Limits |     | Unit |
|-------------------------------------|--------|--|----------------------|--------|-----|------|
|                                     |        |  |                      | Min    | Max |      |
| Enable time from<br>S0 to output    | tpZH1  | V <sub>CC</sub> = 5.0 V, C <sub>L</sub> = 50 pF ±10%<br>R <sub>L</sub> = R <sub>I</sub> = 500Ω | 9, 10, 11            |        | 38  | ns   |
|                                     | tpZL1  |  | 9, 10, 11            |        | 38  | ns   |
| Enable time from<br>S1 to output    | tpZH2  |  | 9, 10, 11            |        | 38  | ns   |
|                                     | tpZL2  |  | 9, 10, 11            |        | 38  | ns   |
| Enable time from<br>S1 to OP = 0    | tpZH3  |  | 9, 10, 11            |        | 28  | ns   |
|                                     | tpZL3  |  | 9, 10, 11            |        | 28  | ns   |
| Enable time from<br>comp to output  | tpZL4  |  | 9, 10, 11            |        | 27  | ns   |
| Enable time from<br>S0 to OP = 0    | tpZL5  |  | 9, 10, 11            |        | 24  | ns   |
| Enable time from<br>comp to OP = 0  | tpZL6  |  | 9, 10, 11            |        | 30  | ns   |
| Disable time from<br>S0 to output   | tpHZ1  |  | 9, 10, 11            |        | 29  | ns   |
|                                     | tpLZ1  |  | 9, 10, 11            |        | 29  | ns   |
| Disable time from<br>S1 to output   | tpHZ2  |  | 9, 10, 11            |        | 29  | ns   |
|                                     | tpLZ2  |  | 9, 10, 11            |        | 29  | ns   |
| Disable time from<br>S1 to OP = 0   | tpHZ3  |  | 9, 10, 11            |        | 23  | ns   |
|                                     | tpLZ3  |  | 9, 10, 11            |        | 23  | ns   |
| Disable time from<br>comp to output | tpLZ4  |  | 9, 10, 11            |        | 27  | ns   |
| Disable time from<br>S0 to OP = 0   | tpLZ5  | 9, 10, 11  |                      | 34     | ns  |      |
| Disable time from<br>comp to OP = 0 | tpLZ6  | 9, 10, 11  |                      | 24     | ns  |      |

1/ The output conditions have been chosen to produce a current that closely approximates one half of the true short-circuit output current, I<sub>0</sub>.

|  |           |                                 |                       |
|--|-----------|---------------------------------|-----------------------|
| <b>MILITARY DRAWING</b><br>DEFENSE ELECTRONICS SUPPLY CENTER<br>DAYTON, OHIO | SIZE<br>A | CODE IDENT. NO.<br><b>14933</b> | DWG NO.<br>5962-87533 |
|  |           | REV                             | PAGE 6                |

3.7 Notification of change. Notification of change to DESC-ECS shall be required in accordance with MIL-STD-883 (see 3.1 herein).

3.8 Verification and review. DESC, DESC's agent, and the acquiring activity retain the option to review the manufacturer's facility and applicable required documentation. Offshore documentation shall be made available onshore at the option of the reviewer.

4. QUALITY ASSURANCE PROVISIONS

4.1 Sampling and inspection. Sampling and inspection procedures shall be in accordance with section 4 of MIL-M-38510 to the extent specified in MIL-STD-883 (see 3.1 herein).

4.2 Screening. Screening shall be in accordance with method 5004 of MIL-STD-883, and shall be conducted on all devices prior to quality conformance inspection. The following additional criteria shall apply:

- a. Burn-in test (method 1015 of MIL-STD-883).
  - (1) Test condition A, B, C, or D using the circuit submitted with the certificate of compliance (see 3.5 herein).
  - (2)  $T_A = +125^\circ\text{C}$ , minimum.
- b. Interim and final electrical test parameters shall be as specified in table II herein, except interim electrical parameter tests prior to burn-in are optional at the discretion of the manufacturer.

4.3 Quality conformance inspection. Quality conformance inspection shall be in accordance with method 5005 of MIL-STD-883 including groups A, B, C, and D inspections. The following additional criteria shall apply.

4.3.1 Group A inspection.

- a. Tests shall be as specified in table II herein.
- b. Subgroups 4, 5, 6, and 8 in table I, method 5005 of MIL-STD-883 shall be omitted.
- c. Subgroup 7 tests shall verify the truth table.

4.3.2 Groups C and D inspections.

- a. End-point electrical parameters shall be as specified in table II herein.
- b. Steady-state life test (method 1005 of MIL-STD-883) conditions:
  - (1) Test condition A, B, C, or D using the circuit submitted with the certificate of compliance (see 3.5 herein).
  - (2)  $T_A = +125^\circ\text{C}$ , minimum.
  - (3) Test duration: 1,000 hours, except as permitted by appendix B of MIL-M-38510 and method 1005 of MIL-STD-883.

|  |           |                                 |                       |
|--|-----------|---------------------------------|-----------------------|
| <b>MILITARY DRAWING</b><br>DEFENSE ELECTRONICS SUPPLY CENTER<br>DAYTON, OHIO | SIZE<br>A | CODE IDENT. NO.<br><b>14933</b> | DWG NO.<br>5962-87533 |
|  |           | REV                             | PAGE 7                |

DESC FORM 193A  
FEB 86

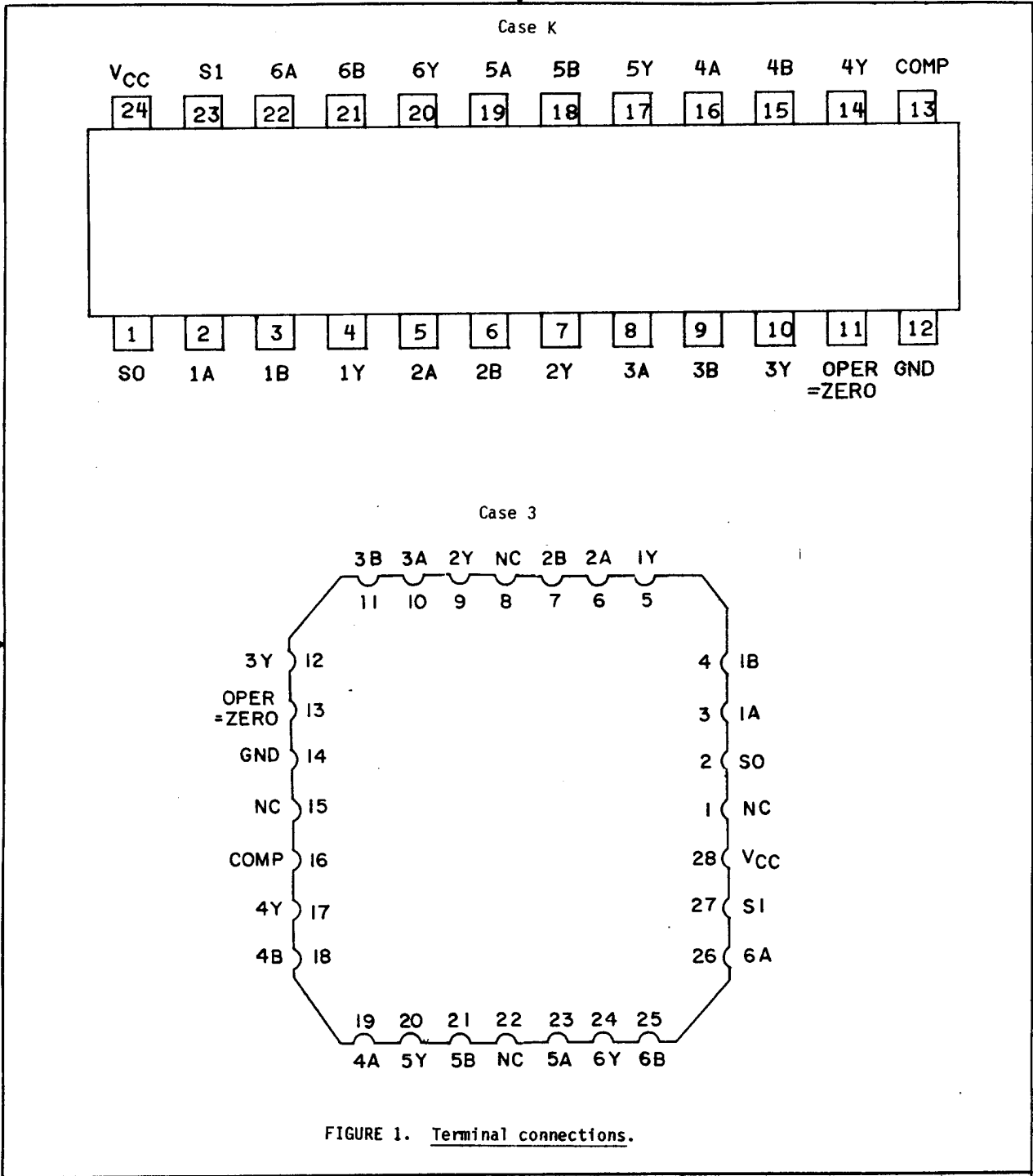


FIGURE 1. Terminal connections.

|  |           |                                 |                       |
|--|-----------|---------------------------------|-----------------------|
| <b>MILITARY DRAWING</b><br>DEFENSE ELECTRONICS SUPPLY CENTER<br>DAYTON, OHIO | SIZE<br>A | CODE IDENT. NO.<br><b>14933</b> | DWG NO.<br>5962-87533 |
|  |           | REV                             | PAGE 8                |

DESC FORM 193A  
FEB 86

| Comp   | S1     | S0     | A                | B                | Y                | Oper<br>= Zero   |
|--------|--------|--------|------------------|------------------|------------------|------------------|
| L<br>↓ | L<br>↓ | L<br>↓ | L<br>L<br>H<br>H | L<br>H<br>L<br>H | L<br>L<br>H<br>H | H<br>L<br>L<br>L |
| L<br>↓ | L<br>↓ | H<br>↓ | L<br>L<br>H<br>H | L<br>H<br>L<br>H | H<br>L<br>H<br>L | H<br>L<br>H<br>L |
| L<br>↓ | H<br>↓ | L<br>↓ | L<br>L<br>H<br>H | L<br>H<br>L<br>H | L<br>L<br>L<br>H | Z<br>Z<br>Z<br>Z |
| L<br>↓ | H<br>↓ | H<br>↓ | X<br>X<br>X<br>X | X<br>X<br>X<br>X | L<br>L<br>L<br>L | L<br>L<br>L<br>L |
| H<br>↓ | L<br>↓ | L<br>↓ | L<br>L<br>H<br>H | L<br>H<br>L<br>H | H<br>H<br>L<br>L | H<br>H<br>L<br>L |
| H<br>↓ | L<br>↓ | H<br>↓ | L<br>L<br>H<br>H | L<br>H<br>L<br>H | H<br>L<br>H<br>L | H<br>L<br>H<br>L |
| H<br>↓ | H<br>↓ | L<br>↓ | L<br>L<br>H<br>H | L<br>H<br>L<br>H | H<br>H<br>H<br>L | Z<br>Z<br>Z<br>Z |
| H<br>↓ | H<br>↓ | H<br>↓ | X<br>X<br>X<br>X | X<br>X<br>X<br>X | Z<br>Z<br>Z<br>Z | Z<br>Z<br>Z<br>Z |

H = high level  
 L = low level  
 X = irrelevant  
 Z = high impedance state

FIGURE 2. Truth table.

|  |           |                                 |                       |
|--|-----------|---------------------------------|-----------------------|
| <b>MILITARY DRAWING</b><br>DEFENSE ELECTRONICS SUPPLY CENTER<br>DAYTON, OHIO | SIZE<br>A | CODE IDENT. NO.<br><b>14933</b> | DWG NO.<br>5962-87533 |
|  |           | REV                             | PAGE<br>9             |

DESC FORM 193A  
 FEB 86

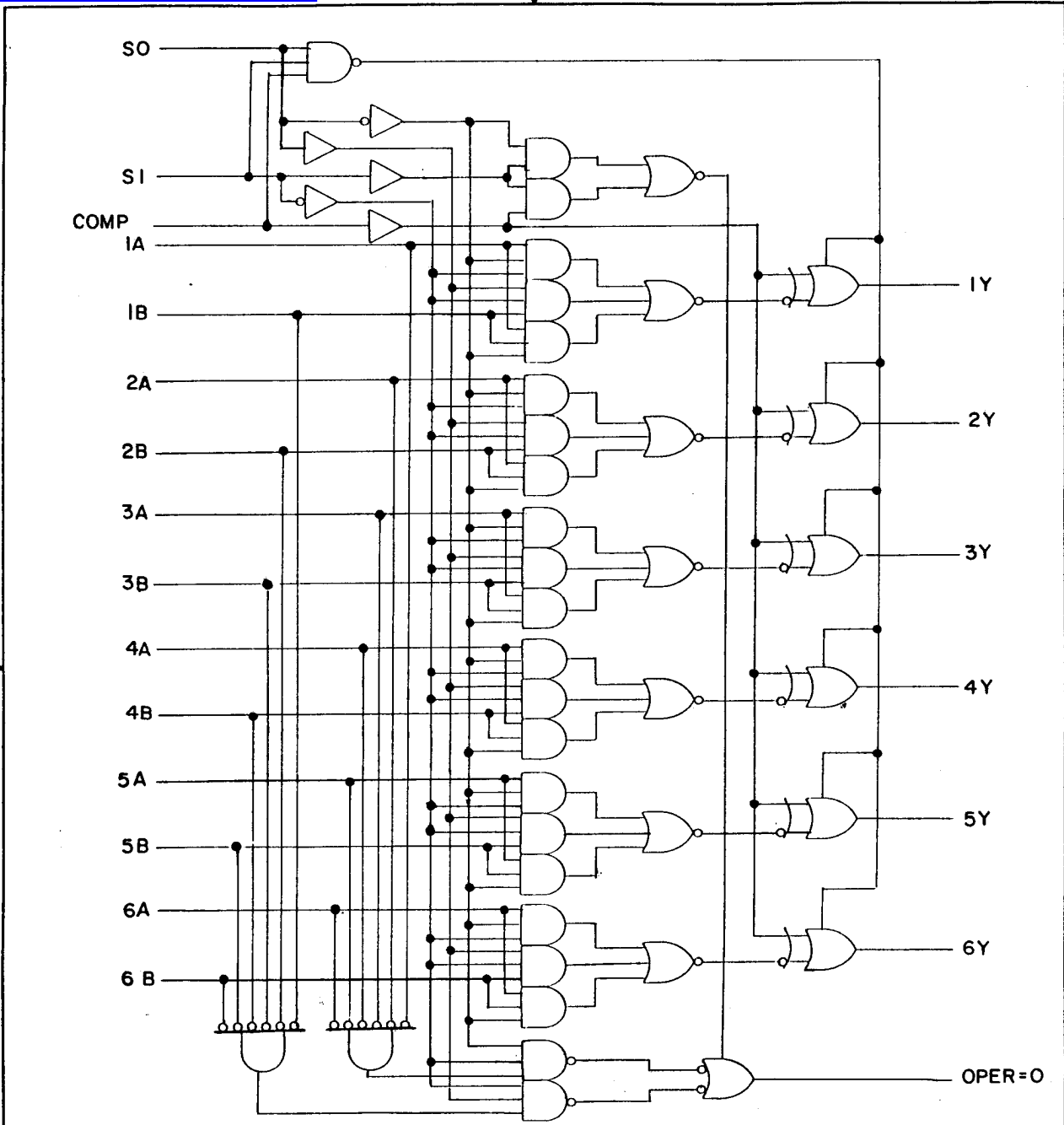


FIGURE 3. Logic diagram.

|  |      |                 |            |
|--|------|-----------------|------------|
| <b>MILITARY DRAWING</b><br>DEFENSE ELECTRONICS SUPPLY CENTER<br>DAYTON, OHIO | SIZE | CODE IDENT. NO. | DWG NO.    |
|  | A    | <b>14933</b>    | 5962-87533 |
|  | REV  | PAGE            | 10         |

DESC FORM 193A  
FEB 86

TABLE II. Electrical test requirements.

| MIL-STD-883 test requirements                                      | Subgroups<br>(per method<br>5005, table I) |
|--|--|
| Interim electrical parameters<br>(method 5004)                     | ---  |
| Final electrical test parameters<br>(method 5004)                  | 1*, 2, 3, 9                                |
| Group A test requirements<br>(method 5005)                         | 1, 2, 3, 7, 9<br>10, 11**                  |
| Groups C and D end-point<br>electrical parameters<br>(method 5005) | 1, 2, 3                                    |

\* PDA applies to subgroup 1.

\*\* Subgroups 10 and 11, if not tested, shall be guaranteed to the specified limits in table I.

5. PACKAGING

5.1 Packaging requirements. The requirements for packaging shall be in accordance with MIL-M-38510.

6. NOTES

6.1 Intended use. Microcircuits conforming to this drawing are intended for use when military specifications do not exist and qualified military devices that will perform the required function are not available for OEM application. When a military specification exists and the product covered by this drawing has been qualified for listing on QPL-38510, the device specified herein will be inactivated and will not be used for new design. The QPL-38510 product shall be the preferred item for all applications.

6.2 Replaceability. Replaceability is determined as follows:

- a. Microcircuits covered by this drawing will replace the same generic device covered by a contractor-prepared specification or drawing.
- b. When a QPL source is established, the part numbered device specified in this drawing will be replaced by the microcircuit identified as part number M38510/37901B--.

6.3 Comments. Comments on this drawing should be directed to DESC-ECS, Dayton, Ohio 45444, or telephone 513-296-5375.

|  |           |                                 |                       |
|--|-----------|---------------------------------|-----------------------|
| <b>MILITARY DRAWING</b><br>DEFENSE ELECTRONICS SUPPLY CENTER<br>DAYTON, OHIO | SIZE<br>A | CODE IDENT. NO.<br><b>14933</b> | DWG NO.<br>5962-87533 |
|  |           | REV                             | PAGE 11               |

DESC FORM 193A  
FEB 86



6.4 Approved sources of supply. An approved source of supply is listed herein. Additional sources will be added as they become available. The vendor listed herein has agreed to this drawing and a certificate of compliance (see 3.5 herein) has been submitted to DESC-ECS.

| Military drawing part number | Vendor CAGE number | Vendor similar part number <u>1/</u> | Replacement military specification part number |
|------------------------------|--------------------|--------------------------------------|--|
| 5962-8753301KX               | 01295              | SNJ54ALS857W                         | M38510/37901BKX                                |
| 5962-87533013X               | 01295              | SNJ54ALS857FK                        | M38510/37901B3X                                |

1/ Caution. Do not use this number for item acquisition. Items acquired to this number may not satisfy the performance requirements of this drawing.

Vendor CAGE number

01295

Vendor name and address

Texas Instruments, Inc.  
P.O. Box 6448  
Midland, TX 79701

|  |           |                                 |                       |
|--|-----------|---------------------------------|-----------------------|
| <b>MILITARY DRAWING</b><br>DEFENSE ELECTRONICS SUPPLY CENTER<br>DAYTON, OHIO | SIZE<br>A | CODE IDENT. NO.<br><b>14933</b> | DWG NO.<br>5962-87533 |
|  |           | REV                             | PAGE 12               |

DESC FORM 193A  
FEB 86



011898