



FEATURES

- RoHS compliant
- Up to 2.1A I_{DC}
- 2.2μH to 220μH
- Optional integral EMI shield
- Low R_{DC}
- Surface mount
- Compact size
- Tape and reel packaging
- J-STD-020C reflow
- Backward compatible with Sn/Pb soldering systems

DESCRIPTION

The 2300 series is a range of bobbin-wound, surface-mount inductors designed for use in switching power supply, and power line filter circuits. The parts are suitable for any application requiring a high saturation current in a miniature surface-mount footprint. Where EMI is a critical factor, the devices are available with an integral ferrite EMI shield.

SELECTION GUIDE (UNSHIELDED TYPES)

Order Code	Inductance (1kHz, 100mV _{AC})	Inductance Range (1kHz, 100mV _{AC})	DC Current ¹	DC Resistance
	Nom.	Min. - Max.	Max.	Max.
	μH	μH	A	Ω
232R2C	2.2	1.7 - 2.8	2.10	0.040
233R3C	3.3	2.3 - 3.9	1.80	0.058
234R7C	4.7	3.6 - 6.0	1.48	0.068
236R8C	6.8	5.1 - 8.6	1.22	0.102
23100C	10	7.6 - 12.7	1.02	0.138
23150C	15	11.3 - 18.9	0.86	0.210
23220C	22	16.8 - 28.1	0.74	0.361
23330C	33	24.6 - 41.0	0.64	0.497
23470C	47	34.6 - 57.6	0.55	0.683
23680C	68	51.0 - 85.0	0.49	1.051
23101C	100	74.2 - 124	0.43	1.281

SELECTION GUIDE (SHIELDED TYPES)

Order Code	Inductance (1kHz, 100mV _{AC})	Inductance Range (1kHz, 100mV _{AC})	DC Current ¹	DC Resistance
	Nom.	Min. - Max.	Max.	Max.
	μH	μH	A	Ω
23S2R2C	2.2	1.8 - 3.0	2.10	0.025
23S3R3C	3.3	2.7 - 4.5	1.80	0.031
23S4R7C	4.7	3.8 - 6.4	1.60	0.044
23S6R8C	6.8	5.2 - 8.6	1.40	0.064
23S100C	10	7.5 - 12.6	1.18	0.087
23S120C	12	9.4 - 15.6	1.08	0.107
23S150C	15	11.4 - 19.0	0.96	0.131
23S180C	18	13.6 - 22.6	0.88	0.143
23S220C	22	16.0 - 26.7	0.80	0.175
23S270C	27	20.0 - 33.3	0.72	0.218
23S330C	33	24.4 - 40.7	0.65	0.241
23S390C	39	29.3 - 48.8	0.60	0.370
23S470C	47	34.6 - 57.7	0.54	0.460
23S560C	56	42.4 - 70.6	0.50	0.509
23S680C	68	50.9 - 84.9	0.45	0.641
23S101C	100	75.8 - 126	0.37	0.782
23S151C	150	112 - 187	0.30	1.190
23S221C	220	167 - 279	0.25	2.280

ABSOLUTE MAXIMUM RATINGS

Operating free air temperature range	-40°C to 85°C
Storage temperature range	-40°C to 125°C

SOLDERING INFORMATION²

Peak reflow temperature	250°C
Pin finish	Hot dipped tin

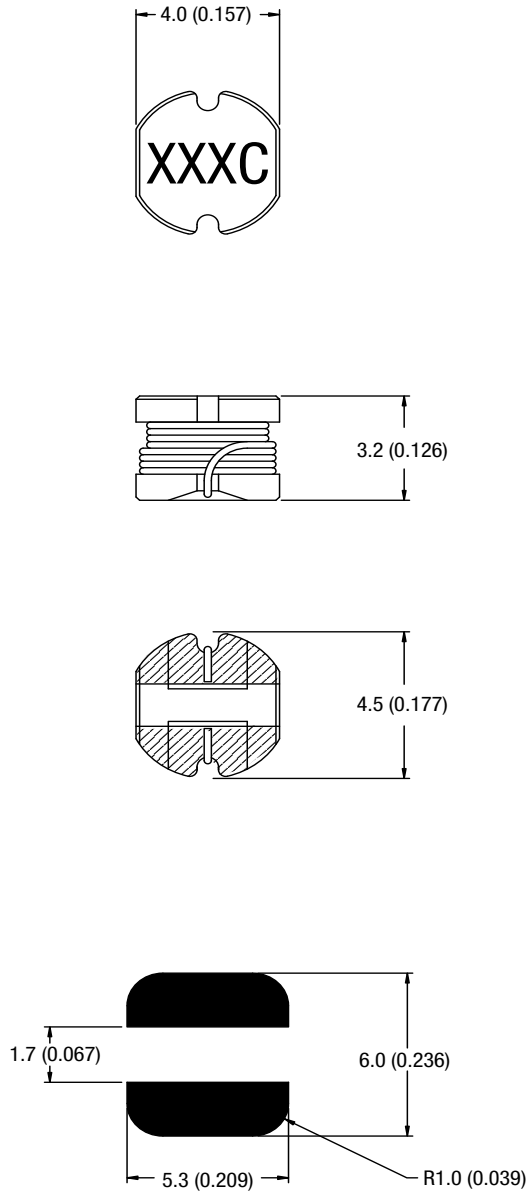
Specifications typical at T_a = 25°C

- The maximum DC current is the value at which the inductance falls to 75% of its nominal value or when its temperature rise reaches 40°C, whichever is sooner.
- For further information, please visit www.murata-ps.com/rohs



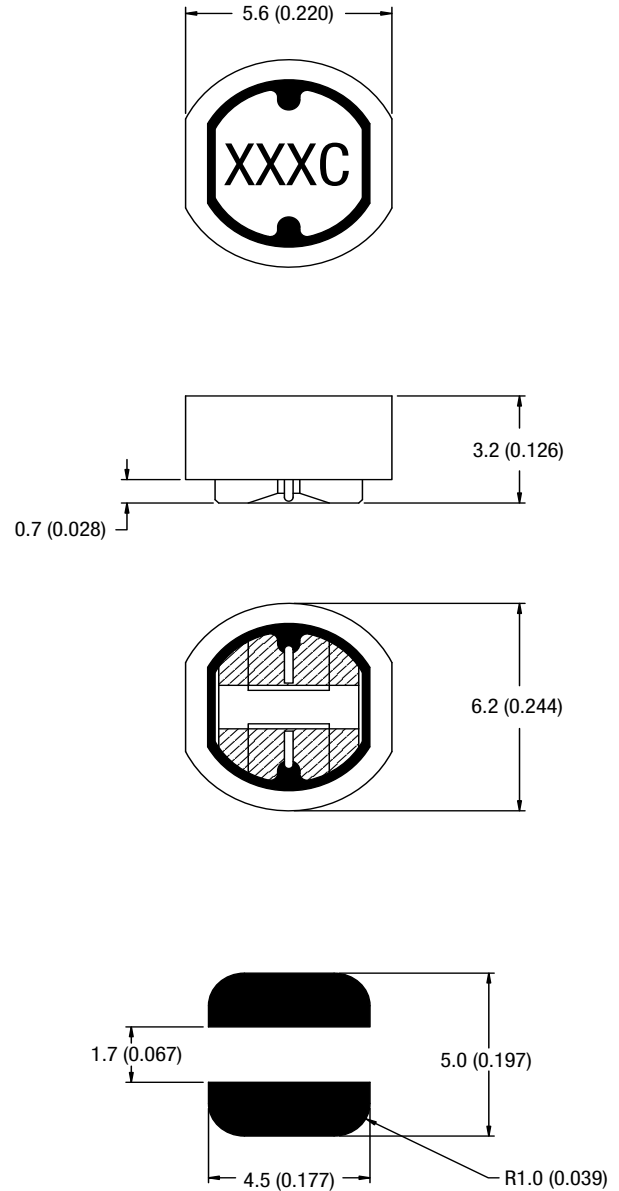
MECHANICAL DIMENSIONS

UNSHIELDED TYPES



Unless otherwise stated all dimensions in mm (inches) ± 0.25 (0.01).
 Package Weight 0.20g Typ.
 Hatching represents solder pads.

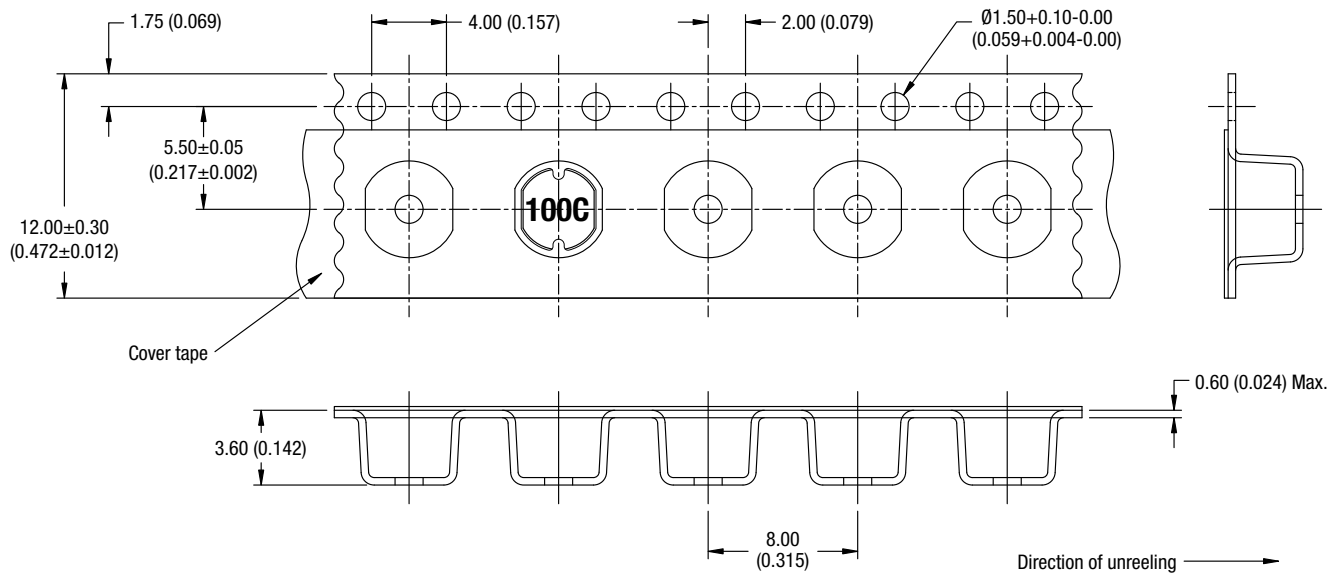
SHIELDED TYPES



Unless otherwise stated all dimensions in mm (inches) ± 0.25 (0.01).
 Package Weight 0.34g Typ.
 Hatching represents solder pads.

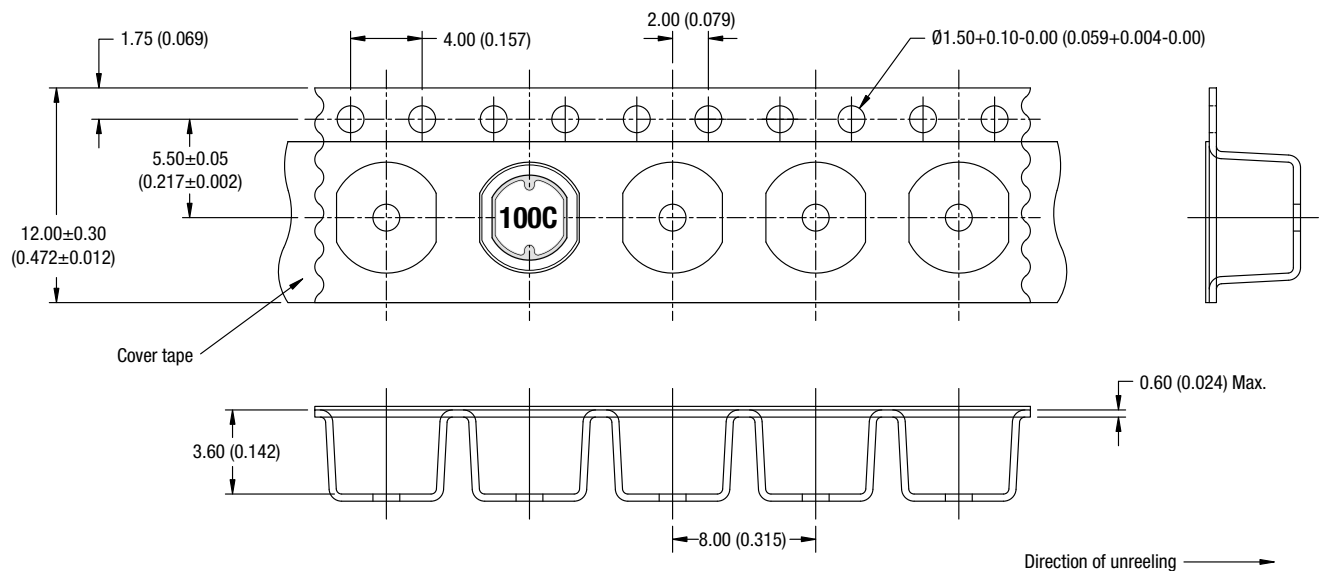
TAPE & REEL SPECIFICATIONS

TAPE OUTLINE DIMENSIONS - UNSHIELDED PARTS



All dimensions in mm (inches)

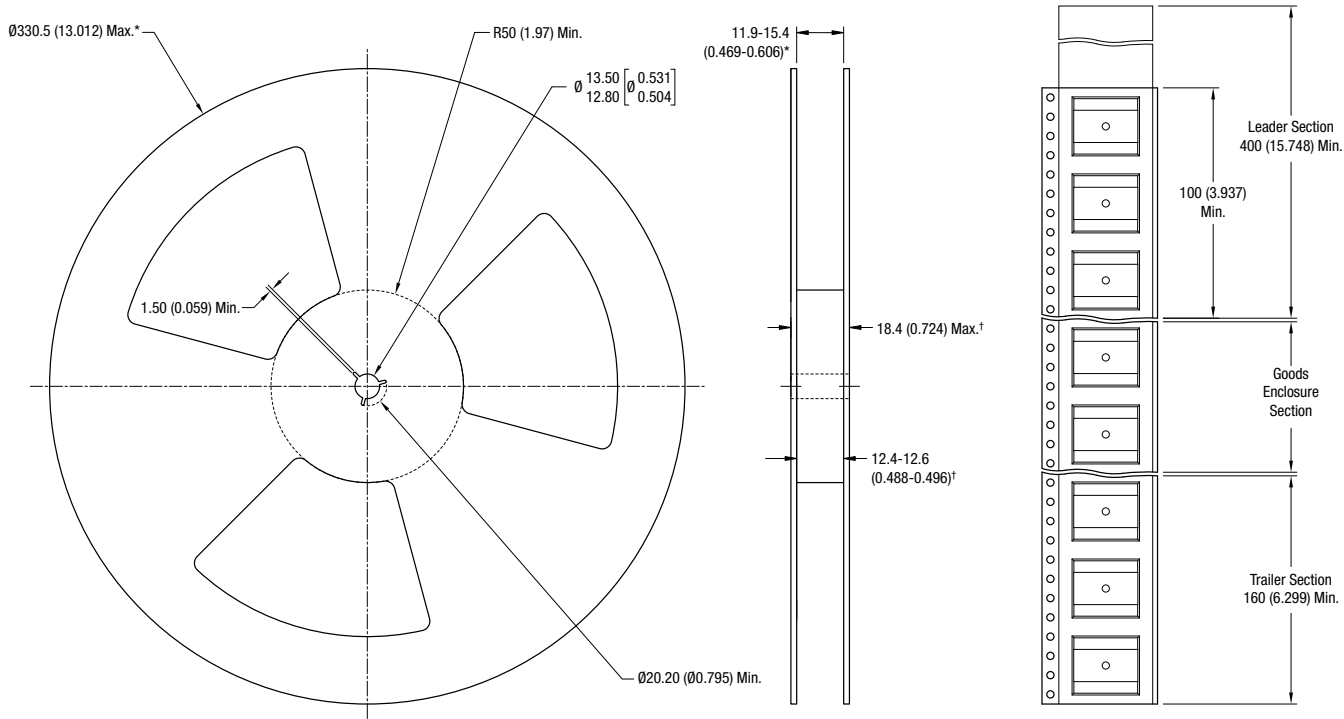
TAPE OUTLINE DIMENSIONS - SHIELDED PARTS



All dimensions in mm (inches)

TAPE & REEL SPECIFICATIONS

REEL OUTLINE DIMENSIONS



All dimension in mm (inches)
 * Includes flange distortion at outer edge
 † Measured at hub