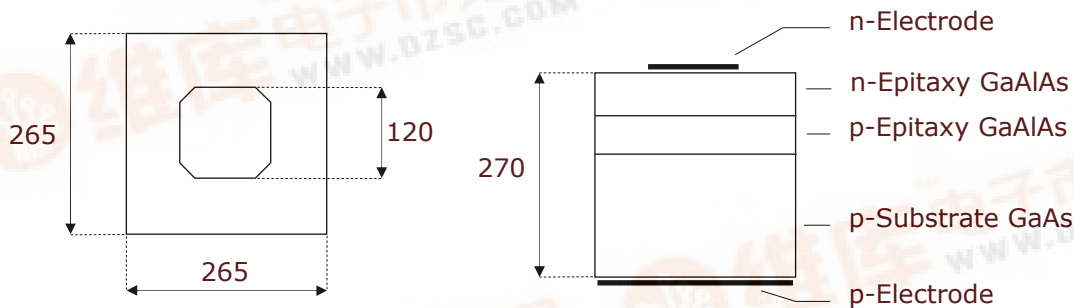


RED **Item No.: 113110**

1. This specification applies to GaAlAs / GaAs LED Chips
2. Structure
 - 2.1 Mesa structure
 - 2.2 Electrodes

p-side (anode)	Au alloy
n-side (cathode)	Au alloy
3. Outlines (dimensions in microns)



Wire bond contacts can also be circular or square

4. Electrical and optical characteristics (T=25°C)

Parameter	Symbol	Conditions	min	typ	max	Unit
Forward voltage	V_F	$I_F = 20 \text{ mA}$		1,8	2,0	V
Reverse current	I_R	$V_R = 5 \text{ V}$			10	μA
Luminous intensity	I_V	$I_F = 20 \text{ mA}$	3,5	5		mcd
Peak wavelength	λ_p	$I_F = 20 \text{ mA}$		655		nm

Brightness measurement at OSA on gold plate

5. Packing
 - Dice on adhesive film with 1) wire bond side on top
 - 2) back contact on top
6. Labeling

Type	Lot No.	I_V typ min max	Quantity
------	---------	-------------------------	----------

