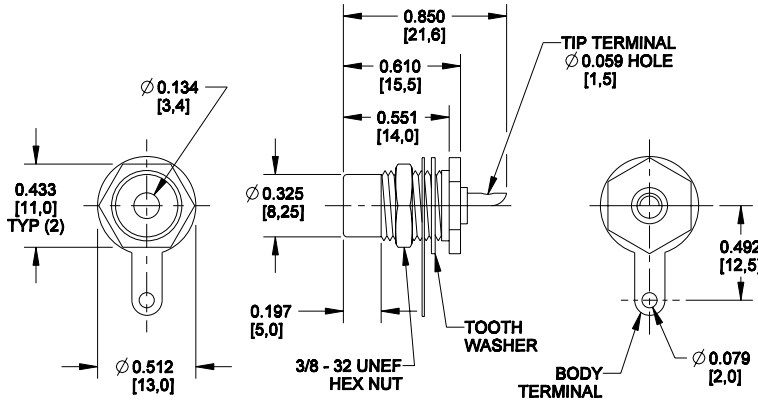
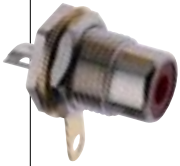


BULKHEAD PHONO JACKS PRODUCT BULLETIN 536

查询"BPJ01"供应商 Product Information

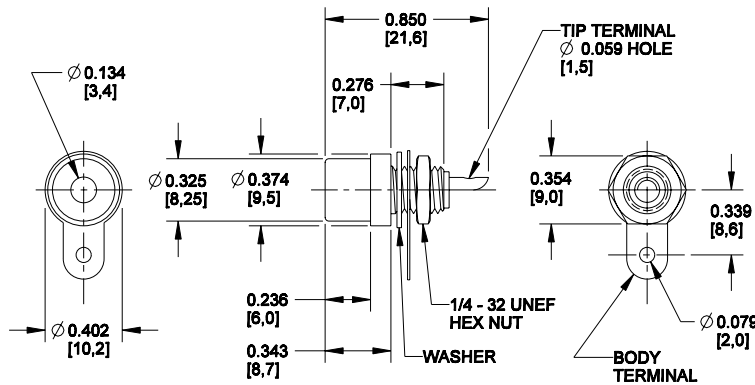
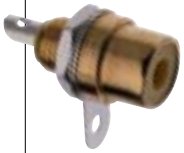
Rear Mount Solder Type

DIMENSIONS ARE FOR REFERENCE ONLY ^{Inch}(mm)
All PC Board layouts are component side



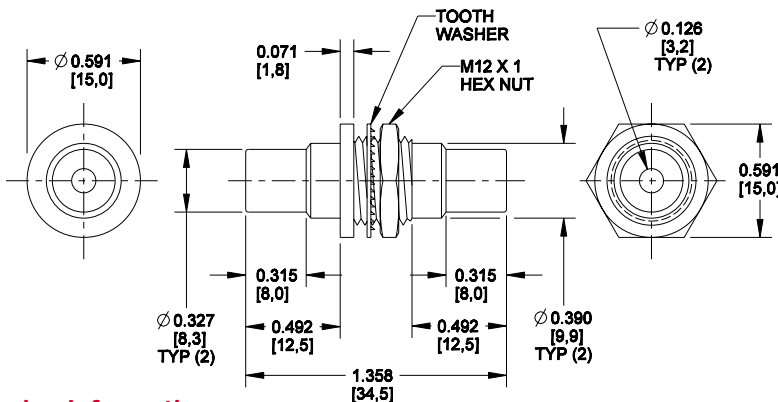
Part Number	Color
BPJR01	Black
BPJR01AU	Black
BPJR02	Red
BPJR02AU	Red
BPJR03	White
BPJR03AU	White
BPJR04	Yellow
BPJR04AU	Yellow

Front Mount Solder Type



Part Number	Color
BPJF01	Black
BPJF01AU	Black
BPJF02	Red
BPJF02AU	Red
BPJF03	White
BPJF03AU	White
BPJF04	Yellow
BPJF04AU	Yellow

Bulkhead Mount



Part Number	Color
BPJJ01	Black
BPJJ01AU	Black
BPJJ02	Red
BPJJ02AU	Red
BPJJ03	White
BPJJ03AU	White
BPJJ04	Yellow
BPJJ04AU	Yellow

Ordering Information

BPJ	R	01	AU
Product Type	Mounting	Insulator Color	Shell Plating
Bulkhead Phono Jack	R = Rear F = Front B = Bulkhead	01 = Black 02 = Red 03 = White 04 = Yellow xx = Contact Factory	AU = Gold Empty = Nickel

Switchcraft[®]

5555 North Elston Avenue / Chicago, IL 60630
Phone: 773-792-2700 / Fax: 773-792-2129

www.switchcraft.com