



Series 800 "Mighty Mouse" with UN Mating Thread Printed Circuit Board Receptacle Ordering Info
800-012-02 and 800-012-07



Series 800 Receptacles feature gold-plated straight PCB tails or solder cup contacts. Contacts are non-removable.

Epoxy Sealed to prevent water ingress in "open face" condition.

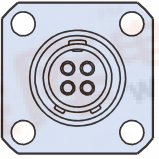
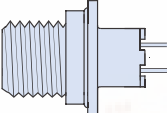
Two Shell Styles: jam nut with o-ring for rear panel mounting, or square flange.

Integral Standoffs allow clearance for washing.

Series 800 PCB Receptacle

HOW TO ORDER

Sample Part Number

800-012	-07	M	7-10	P	Z																																																																																																																														
Series	Shell Style	Shell Material / Finish	Shell Size- Insert Arrangement	Contact Type	Shell Key Position																																																																																																																														
800-012 PCB Receptacle, Vertical Mount	 -02 Square Flange  -07 Jam Nut	C Aluminum / Black Anodize (Non-Conductive) RoHS Compliant	No. of Contacts <table border="1"> <tr> <th>Arr.</th> <th>#23</th> <th>#20</th> <th>#16</th> <th>#12</th> </tr> <tr> <td>5-3</td> <td>3</td> <td></td> <td></td> <td></td> </tr> <tr> <td>6-1</td> <td></td> <td></td> <td>1</td> <td></td> </tr> <tr> <td>6-4</td> <td>4</td> <td></td> <td></td> <td></td> </tr> <tr> <td>6-7</td> <td>7</td> <td></td> <td></td> <td></td> </tr> <tr> <td>7-1</td> <td></td> <td></td> <td></td> <td>1</td> </tr> <tr> <td>7-10</td> <td>10</td> <td></td> <td></td> <td></td> </tr> <tr> <td>8-2</td> <td></td> <td></td> <td>2</td> <td></td> </tr> <tr> <td>8-13</td> <td>13</td> <td></td> <td></td> <td></td> </tr> <tr> <td>8-200</td> <td>4</td> <td>2</td> <td></td> <td></td> </tr> <tr> <td>9-4</td> <td></td> <td></td> <td>4</td> <td></td> </tr> <tr> <td>9-19</td> <td>19</td> <td></td> <td></td> <td></td> </tr> <tr> <td>9-200</td> <td>4</td> <td></td> <td>2</td> <td></td> </tr> <tr> <td>9-201</td> <td>8</td> <td>2</td> <td></td> <td></td> </tr> <tr> <td>10-5</td> <td></td> <td></td> <td>5</td> <td></td> </tr> <tr> <td>10-26</td> <td>26</td> <td></td> <td></td> <td></td> </tr> <tr> <td>10-200</td> <td>12</td> <td></td> <td></td> <td>1</td> </tr> <tr> <td>10-201</td> <td>4</td> <td></td> <td></td> <td>2</td> </tr> <tr> <td>10-202</td> <td>8</td> <td></td> <td>2</td> <td></td> </tr> <tr> <td>12-2</td> <td></td> <td></td> <td></td> <td>2</td> </tr> <tr> <td>12-3</td> <td></td> <td></td> <td></td> <td>3</td> </tr> <tr> <td>12-7</td> <td></td> <td></td> <td></td> <td>7</td> </tr> <tr> <td>12-37</td> <td>37</td> <td></td> <td></td> <td></td> </tr> <tr> <td>12-200</td> <td>6</td> <td></td> <td></td> <td>2</td> </tr> <tr> <td>12-201</td> <td>10</td> <td></td> <td></td> <td>2</td> </tr> </table>		Arr.	#23	#20	#16	#12	5-3	3				6-1			1		6-4	4				6-7	7				7-1				1	7-10	10				8-2			2		8-13	13				8-200	4	2			9-4			4		9-19	19				9-200	4		2		9-201	8	2			10-5			5		10-26	26				10-200	12			1	10-201	4			2	10-202	8		2		12-2				2	12-3				3	12-7				7	12-37	37				12-200	6			2	12-201	10			2	P Pin S Socket E Pin, Solder Cup F Socket, Solder Cup	N Normal X Pos. X Y Pos. Y Z Pos. Z
		Arr.	#23	#20	#16	#12																																																																																																																													
		5-3	3																																																																																																																																
		6-1			1																																																																																																																														
		6-4	4																																																																																																																																
		6-7	7																																																																																																																																
		7-1				1																																																																																																																													
		7-10	10																																																																																																																																
		8-2			2																																																																																																																														
		8-13	13																																																																																																																																
		8-200	4	2																																																																																																																															
		9-4			4																																																																																																																														
		9-19	19																																																																																																																																
		9-200	4		2																																																																																																																														
9-201	8	2																																																																																																																																	
10-5			5																																																																																																																																
10-26	26																																																																																																																																		
10-200	12			1																																																																																																																															
10-201	4			2																																																																																																																															
10-202	8		2																																																																																																																																
12-2				2																																																																																																																															
12-3				3																																																																																																																															
12-7				7																																																																																																																															
12-37	37																																																																																																																																		
12-200	6			2																																																																																																																															
12-201	10			2																																																																																																																															
		M Aluminum / Electroless Nickel RoHS Compliant																																																																																																																																	
		NF Aluminum / Cadmium with Olive Drab Chromate																																																																																																																																	
		ZN Aluminum / Zinc-Nickel with Olive Drab Chromate																																																																																																																																	
		UCR Aluminum / Zinc-Cobalt with Black Chromate RoHS Compliant																																																																																																																																	
		ZNU Aluminum / Zinc-Nickel with Black Chromate																																																																																																																																	
		MT Aluminum / Nickel-PTFE RoHS Compliant																																																																																																																																	
		Z1 Stainless Steel / Passivated RoHS Compliant																																																																																																																																	

Dimensions in inches (millimeters) and are subject to change without notice.

CAGE Code 06324

Printed in U.S.A.

© 2009 Glenair, Inc.

GLEN AIR, INC. • 1211 AIR WAY • GLENDALE, CA 91201-2497 • 818-247-6000 • FAX 818-500-9912

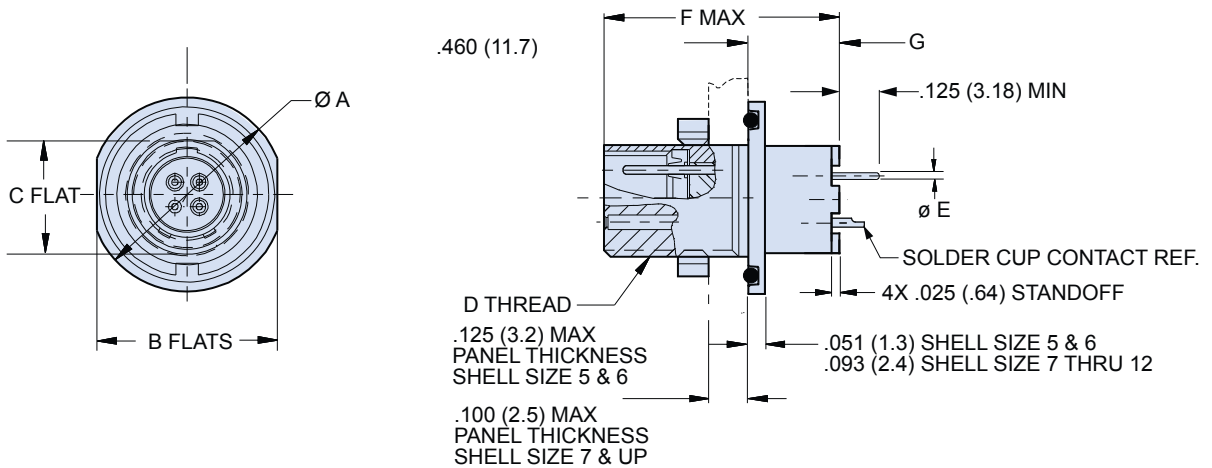
C-10

E-Mail: sales@glenair.com

Rev. 01-FEB-2009

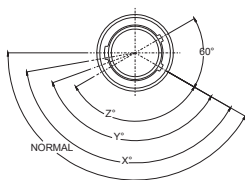


**Series 800 "Mighty Mouse" with UN Mating Thread
Printed Circuit Board Receptacle Dimensions
Jam Nut Receptacle 800-012-07**

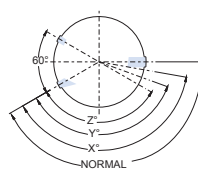


DIMENSIONS												
Shell Size	Ø A		Ø B		C		D Threads Mating	Ø E Tail Dia.	F Max		G	
	In.	mm.	In.	mm.	In.	mm.			In.	mm.	In.	mm.
5	.541	13.74	.500	12.70	.285	7.24	.3125-28 UN-2A	#23 .018/.022 (0.46/0.56)	.725	18.42	.247	6.27
6	.610	15.49	.562	14.27	.352	8.94	.3750-28 UN-2A		.725	18.42	.247	6.27
7	.670	17.02	.635	16.13	.411	10.44	.4375-28 UNEF-2A	#20 .024/.028 (0.61/0.71)	.700	17.78	.205	5.21
8	.775	19.69	.735	18.67	.473	12.01	.5000-32 UN-2A		.700	17.78	.205	5.21
9	.875	22.23	.806	20.47	.530	13.46	.5625-32 UN-2A	#16 .060/.064 (1.52/1.63)	.700	17.78	.205	5.21
10	.980	24.89	.940	23.88	.604	15.34	.6250-32 UN-2A		.700	17.78	.205	5.21
12	1.062	26.97	.986	25.04	.712	18.08	.7500-28 UN-2A	#12 .092/.096 (2.34/2.44)	.700	17.78	.205	5.21

SERIES 800 KEY POSITIONS



Plug



Receptacle

Key Position

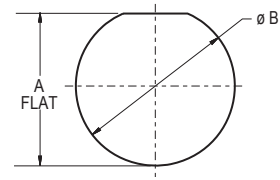
- Normal (N)
- X
- Y
- Z

Key Rotation

- 150°
- 140°
- 130°
- 120°

Shell size 5 and 6: master key is located at top dead center for normal (N) position. Shell size 7 thru 12: master key is rotated 90° from TDC for normal position.

SERIES 800 PANEL CUTOUTS

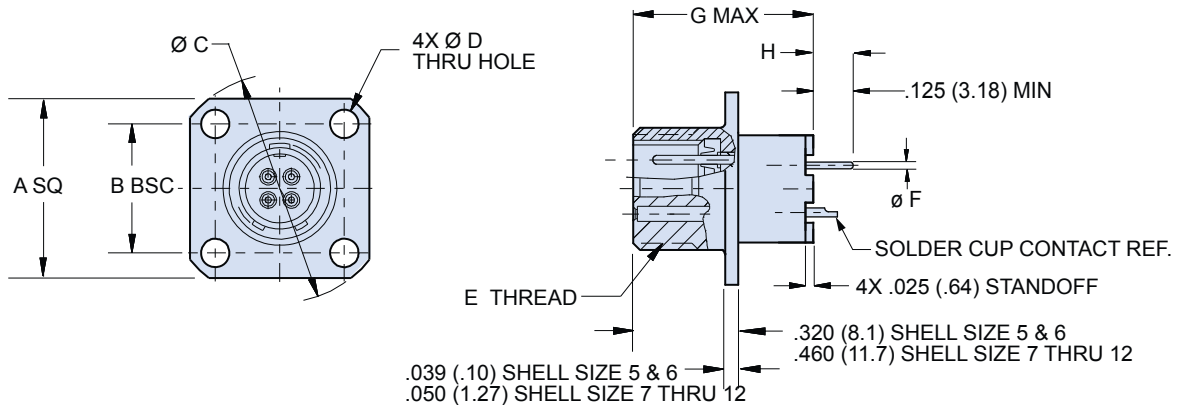


Shell Size	A Flat		Ø B	
	In.	mm.	In.	mm.
5	.302 / .298	7.67 / 7.57	.318	8.08
6	.365 / .361	9.27 / 9.17	.386	9.80
7	.424 / .420	10.77 / 10.67	.449	11.40
8	.486 / .482	12.34 / 12.24	.510	12.95
9	.543 / .539	13.79 / 13.69	.574	14.58
10	.617 / .613	15.67 / 15.57	.635	16.12
12	.725 / .721	18.42 / 18.31	.760	19.30

Dimensions in inches (millimeters) and are subject to change without notice.



**Series 800 "Mighty Mouse" with UN Mating Thread
Printed Circuit Board Receptacle Dimensions
Square Flange Receptacle 800-012-02**



DIMENSIONS

Shell Size	A SQ		B		Ø C		Ø D		E Threads Mating	Ø F Tail Dia.	G Max		H		
	In.	mm.	In.	mm.	In.	mm.	In.	mm.			In.	mm.	In.	mm.	
5	.527	13.39	.363	9.22	.680	17.27	.094	2.39	.3125-28 UN-2A	#23	.725	18.42	.426	10.82	
6	.588	14.92	.423	10.74	.750	19.05	.094	2.39	.3750-28 UN-2A		.018/.022 (0.46/0.56)	.725	18.42	.426	10.82
7	.650	16.51	.483	12.27	.830	21.08	.128	3.25	.4375-28 UNEF-2A	#20	.700	17.78	.255	6.48	
8	.710	18.03	.542	13.77	.938	23.83	.128	3.25	.5000-32 UN-2A		.024/.028 (0.61/0.71)	.700	17.78	.255	6.48
9	.938	23.83	.719	18.26	1.250	31.75	.128	3.25	.5625-32 UN-2A	#16	.700	17.78	.255	6.48	
10	.938	23.83	.719	18.26	1.250	31.75	.128	3.25	.6250-32 UN-2A		.060/.064 (1.52/1.63)	.700	17.78	.255	6.48
12	1.031	26.19	.812	20.62	1.375	34.93	.128	3.25	.7500-28 UN-2A	#12	.700	17.78	.255	6.48	
											.092/.096 (2.34/2.44)	.700	17.78	.255	6.48

SERIES 800 KEY POSITIONS

Key Position	Key Rotation		
Normal (N)	150°	<p>Plug Key Position</p>	<p>Receptacle Key Position</p>
X	140°		
Y	130°		
Z	120°		

Shell size 5 and 6: master key is located at top dead center for normal (N) position. Shell size 7 thru 12: master key is rotated 90° from TDC.

Dimensions in inches (millimeters) and are subject to change without notice.

This datasheet has been downloaded from:

www.EEworld.com.cn

Free Download

Daily Updated Database

100% Free Datasheet Search Site

100% Free IC Replacement Search Site

Convenient Electronic Dictionary

Fast Search System

www.EEworld.com.cn