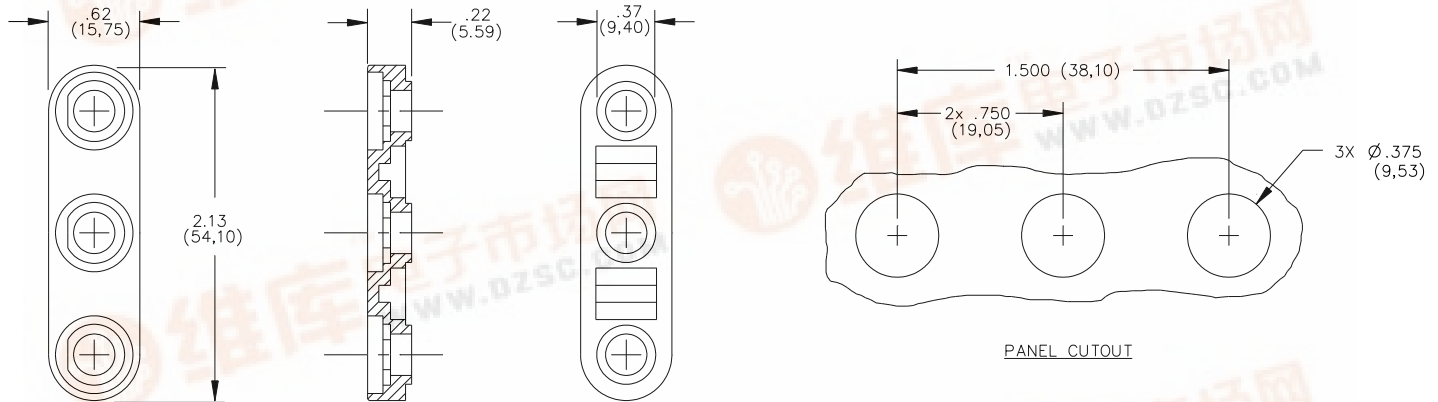


**Model 4590 Mounting Base,  
 Triple Banana Jack For  
 Standard Banana Jack**



**MATERIALS:**

Body: Polycarbonate

Color: Black

Marking : "Pomona Electronics"

**RATINGS:**

Operating Temperature: +115° C. (+239° F.) Max.

**ORDERING INFORMATION:** Model 4590-\*

\*=Color, -0 Black

Ordering Example: 4590-0 Mounting Base Color is Black

Parts are packaged ten (10) per bag.

For use with Models 1581, 2854, 3267, 4005 and 4601.

All dimensions are in inches. Tolerances (except noted): .xx = ±.02" (.51 mm), .xxx = ±.005" (.127 mm).

All specifications are to the latest revisions. Specifications are subject to change without notice.

Registered trademarks are the property of their respective companies. Made in USA

6/9/99

SY/EH/LS

W:\pomona\grounly\Datasheet Updates\Updates 2005\d4590\_1\_02.doc

More drawings available at [www.pomonaelectronics.com](http://www.pomonaelectronics.com)

Page 1 of 1

