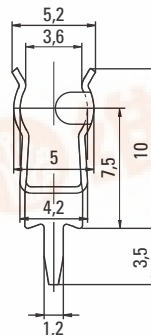
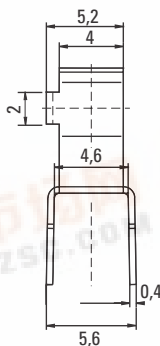
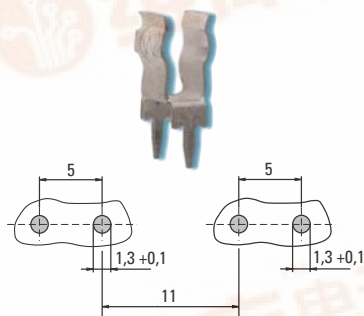


查询"520"供应商

## Clip / No. 520 lead free

## PC Mount, 5x20mm Fuses

## Specifications



### Mounting

PC Board, 5mm pin spacing  
Solder pins 0.4 x 1.2mm

### Materials

Clip: Copper alloy  
Solderable, tinned

### Electrical Data (23°C)

Rated Voltage: 250V  
Max. Current/Power: 6.3A/2.5W

### Minimum Cross Section

Conducting path - 0.2mm<sup>2</sup>

### Solderability

235°C, 2 sec. (IEC 60068-2-20)

### Soldering Heat Resistance

260°C, 10 sec. (IEC 60068-2-20)

### Unit Weight

0.4g

### Packaging

Bulk (5000 pcs.)

### Order Number

Clip No. 520 0000 100

## Clip / No. 521 lead free

## PC Mount, 5x20mm Fuses 90° Pin Shift

### Mounting

PC Board, 5mm pin spacing  
Solder pins 0.4 x 1.2mm

### Materials

Clip: Copper alloy  
Solderable, tinned

### Electrical Data (23°C)

Rated Voltage: 250V  
Max. Current/Power: 6.3A/2.5W

### Minimum Cross Section

Conducting path - 0.2mm<sup>2</sup>

### Solderability

235°C, 2 sec. (IEC 60068-2-20)

### Soldering Heat Resistance

260°C, 10 sec. (IEC 60068-2-20)

### Unit Weight

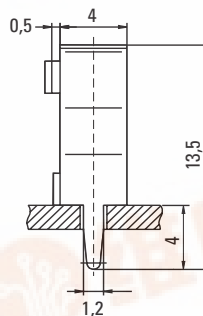
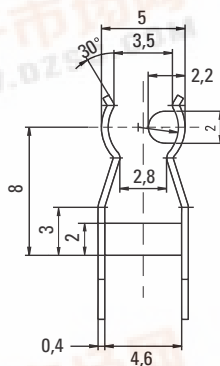
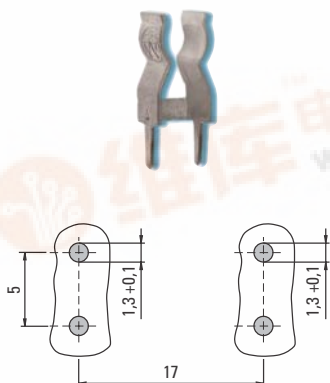
0.4g

### Packaging

Bulk (5000 pcs.)

### Order Number

Clip No. 521 0000 100



## Clip / No. 519 lead free

## PC Mount, 5x20mm Fuses Taped

### Mounting

PC Board, 5mm pin spacing  
Solder pins 0.3 x 0.5mm

### Materials

Clip: Copper alloy  
Solderable, tinned

### Electrical Data (23°C)

Rated Voltage: 250V  
Max. Current/Power: 2.5A/1W

### Minimum Cross Section

Conducting path - 0.2mm<sup>2</sup>

### Solderability

235°C, 2 sec. (IEC 60068-2-20)

### Soldering Heat Resistance

260°C, 10 sec. (IEC 60068-2-20)

### Unit Weight

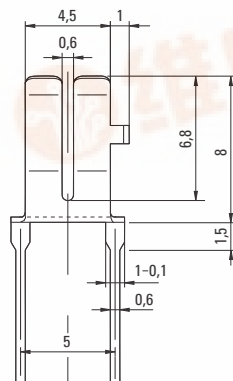
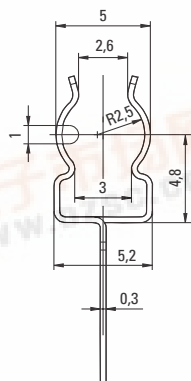
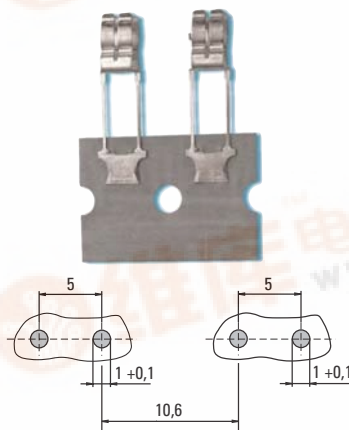
0.5g

### Packaging

Tape/Reel (1000 pcs.)

### Order Number

Clip No. 519 0000 100



Note: 1.00 means the number one with two decimal places. 1.000 means the number one thousand.

Specifications are subject to change without notice.