



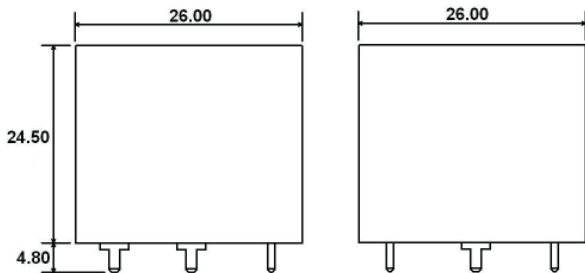
## Ordering Information

|  |    |    |   |   |       |     |
|--|----|----|---|---|-------|-----|
| 1. Series  | A2 | 1C | S | Q | 12VDC | 1.6 |
| A2 standard<br>A2F with mounting flange<br>A2M with metal bracket<br>A2S with metal bracket and shroud   |    |    |   |   |       |     |
| 2. Contact Arrangement<br>1A = SPST N.O.<br>1B = SPST N.C.<br>1C = SPDT<br>1U = SPST N.O. (2 terminals)  |    |    |   |   |       |     |
| 3. Sealing Option<br>S = Sealed<br>C = Dust Cover *not available with A2S  |    |    |   |   |       |     |
| 4. Termination<br>P = PCB Pins *not available with A2S<br>Q = Quick Connect  |    |    |   |   |       |     |
| 5. Coil Voltage<br>6VDC<br>12VDC<br>24VDC  |    |    |   |   |       |     |
| 6. Coil Power<br>1.6 = 1.6W<br>1.9 = 1.9W  |    |    |   |   |       |     |
| 7. Coil Suppression<br>Blank = Standard<br>D = Diode (1N4005) Cathode on "86" terminal<br>D1 = Diode (1N4004) Cathode on "86" terminal<br>R = Resistor (180Ω for 6VDC; 680Ω for 12VDC; 2700Ω for 24VDC)<br>2D = 2 Diodes (1N4005)<br>DR = Diode & Resistor Cathode on "86" terminal (1N4005 & 180Ω for 6VDC; 680Ω for 12VDC; 2700Ω for 24VDC)<br>** Consult factory if other values are needed |    |    |   |   |       |     |

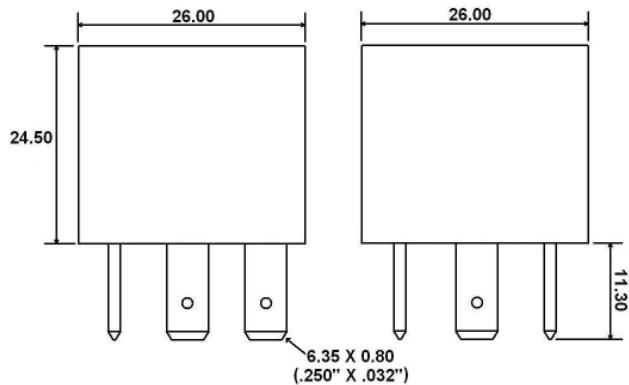
Dimensions shown in mm. Dimensions are shown for reference purposes only.

## Dimensions

Units = mm



**A2 with PC Pins**



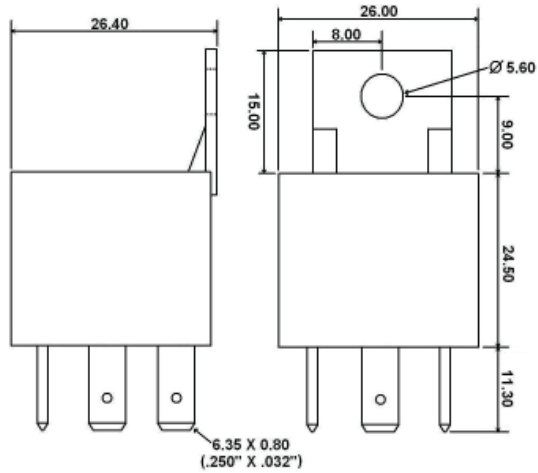
**A2 with Quick Connects**

Specifications and availability subject to change without notice.

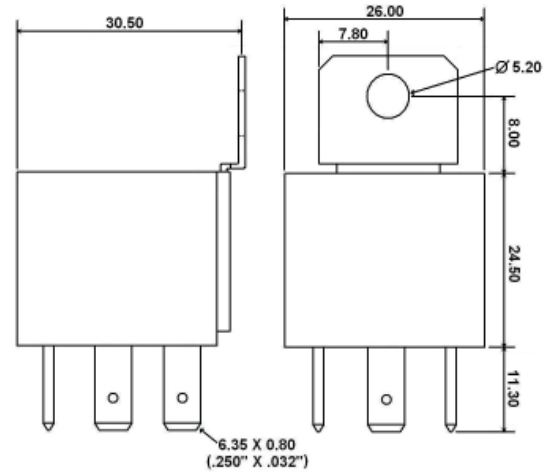
[查询"A2F1ACQ24VDC1.6"供应商](#)

## Dimensions

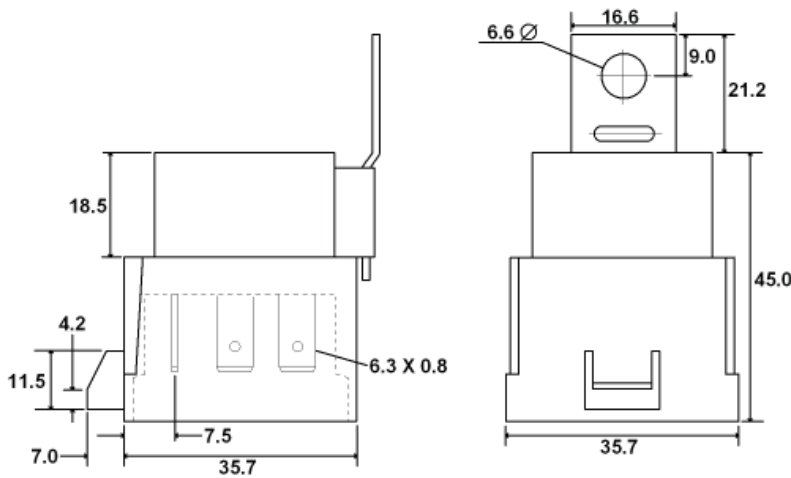
Units = mm



**A2F with Quick Connect**



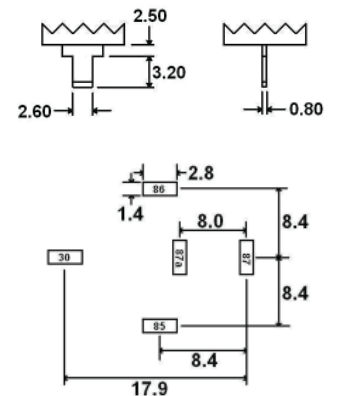
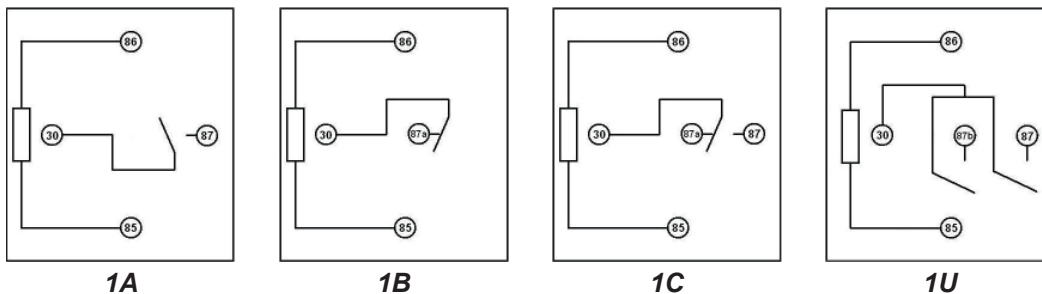
**A2M with Quick Connects**



**A2S with Quick Connects**

## Schematics, PC Pin Dimenstions & PC Layouts

Bottom Views



Specifications and availability subject to change without notice.

Dimensions shown in mm. Dimensions are shown for reference purposes only.