

Type: CR75



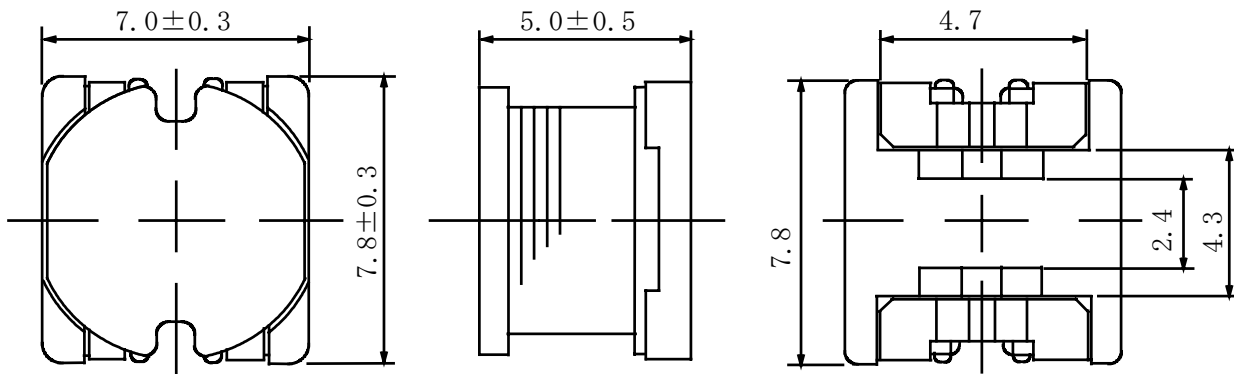
◆ **Product Description**

- 8.1×7.3mm Max.(L×W), 5.5mm Max. Height.
- Inductance Range: 1.2~470 μ H
- Rated current range: 0.34~6.0A
- In addition to the standard versions of inductors shown here, custom inductors are available to meet your exact requirements.

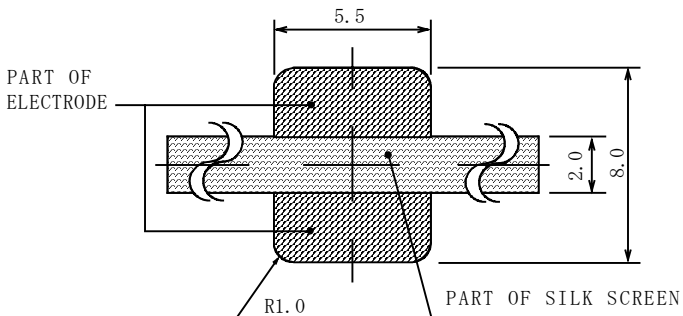
◆ **Feature**

- Magnetically unshielded construction.
- Ideally used in A/V equipment, LCD TV,DSC/DVC, Game Machine, DVC, HDD, Notebook PC, etc as DC-DC Converter inductors.
- RoHS Compliance

◆ **Dimensions (mm)**



◆ **Land Pattern (mm)**

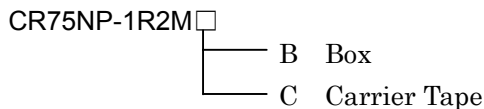


Type: CR75

◆ **Specification**

| Part Name ※ | Stamp | Inductance [Within] ※1 | D.C.R. (mΩ) [MAX.] (at 20°C) | Rated Current (A)※2 | S.R.F. (MHz) [TYP.] |
|----------------------------------------------|----------------------|-------------------------------------------------|------------------------------------|---------------------------|---------------------------|
| CR75NP-1R2M□ CR75NP-1R5M□ CR75NP-2R2M□ | 1R2M 1R5M 2R2M | 1.2 μH ± 20 % 1.5 μH ± 20 % 2.2 μH ± 20 % | 15.6m 17.0m 19.5m | 6.0 5.5 4.5 | 53.7 45.6 36.4 |
| CR75NP-2R7M□ CR75NP-3R3M□ CR75NP-3R9M□ | 2R7M 3R3M 3R9M | 2.7 μH ± 20 % 3.3 μH ± 20 % 3.9 μH ± 20 % | 22.1m 24.7m 27.3m | 4.2 3.7 3.5 | 31.1 26.8 24.6 |
| CR75NP-4R7M□ CR75NP-5R6M□ CR75NP-6R8M□ | 4R7M 5R6M 6R8M | 4.7 μH ± 20 % 5.6 μH ± 20 % 6.8 μH ± 20 % | 30.0m 32.5m 36.4m | 3.1 2.8 2.7 | 20.4 20.0 19.6 |
| CR75NP-8R2M□ | 8R2M | 8.2 μH ± 20 % | 41.6m | 2.5 | 18.0 |
| CR75NP-100K□ CR75NP-120K□ CR75NP-150K□ | 100K 120K 150K | 10 μH ± 10 % 12 μH ± 10 % 15 μH ± 10 % | 0.07 0.08 0.09 | 2.3 2.0 1.8 | 28 23 22 |
| CR75NP-180K□ CR75NP-220K□ CR75NP-270K□ | 180K 220K 270K | 18 μH ± 10 % 22 μH ± 10 % 27 μH ± 10 % | 0.10 0.11 0.12 | 1.6 1.5 1.3 | 20 17 15 |
| CR75NP-330K□ CR75NP-390K□ CR75NP-470K□ | 330K 390K 470K | 33 μH ± 10 % 39 μH ± 10 % 47 μH ± 10 % | 0.13 0.16 0.18 | 1.2 1.1 1.1 | 15 14 13 |
| CR75NP-560K□ CR75NP-680K□ CR75NP-820K□ | 560K 680K 820K | 56 μH ± 10 % 68 μH ± 10 % 82 μH ± 10 % | 0.24 0.28 0.37 | 0.94 0.85 0.78 | 11 11 10 |
| CR75NP-101K□ CR75NP-121K□ CR75NP-151K□ | 101K 121K 151K | 100 μH ± 10 % 120 μH ± 10 % 150 μH ± 10 % | 0.43 0.47 0.64 | 0.72 0.66 0.58 | 9.2 7.7 6.1 |
| CR75NP-181K□ CR75NP-221K□ CR75NP-271K□ | 181K 221K 271K | 180 μH ± 10 % 220 μH ± 10 % 270 μH ± 10 % | 0.71 0.96 1.11 | 0.51 0.49 0.42 | 5.8 5.2 4.8 |
| CR75NP-331K□ CR75NP-391K□ CR75NP-471K□ | 331K 391K 471K | 330 μH ± 10 % 390 μH ± 10 % 470 μH ± 10 % | 1.26 1.77 1.96 | 0.40 0.36 0.34 | 4.3 4.3 3.8 |

※ **Description of part name**



※1: Measuring frequency 1.2 μH ~ 8.2 μH ; at 7.96 MHz
 10 μH ~ 82 μH ; at 2.52 MHz
 100 μH ~ 470 μH ; at 1 kHz

※2. Rated current: The D.C. current at which the inductance decreases to 90% of it's initial value or when Δt=40°C, whichever is lower(Ta=20°C).