

## FEATURES AND SPECIFICATIONS

[查询"76155-8108"供应商](#)

**Molex's Impact backplane connector system pushes the speed and density envelope to meet the growing demands of next generation telecommunication and data networking equipment**

The Impact backplane connector system provides data rates over 20 Gbps and superior signal density up to 80 differential pairs per inch. The Impact System's broad-edge-coupled technology enables low cross-talk and high signal bandwidth while minimizing channel performance variation across every differential pair within the system.

Molex's Impact System offers multiple compliant-pin design options on both the daughtercard and backplane connectors, providing customers ultimate flexibility to optimize their designs for superior mechanical and electrical performance. The Impact system's mating interface provides inline-staggered, bifurcated contacts that provide 2 points of contact for long-term reliability

### Features and Benefits

- Data rates over 20 Gbps support future system performance upgrades
- Broad-edge-coupled, differential-pair system for superior density, low cross-talk, low insertion loss and minimal performance variation across all high-speed channels
- Differential pair density up to 80 pairs per linear inch provides the highest speed, highest differential pair density per square inch in the industry
- IEEE 10GBASE-KR and Optical Internetworking Forum (OIF) Stat Eye Compliant channel performance demonstrates end-to-end channel performance compliance
- PCB routing flexibility provides simple 1.90 by 1.35mm (.075" by .053") grid on both backplane and daughtercard reduces PCB routing complexity and costs
- Two compliant-pin attach options provide customers ultimate flexibility to optimize their designs for superior mechanical and electrical performance
- Inline staggered, bifurcated contact beams in daughtercard interface for superior mating performance with two points of contact for long-term reliability and built-in ground-signal sequencing

performance and built-in ground-signal sequencing. This reduces the average mating force per connector to improve the mechanical mating performance of the system.

The Impact backplane connector system is designed for traditional backplane and/or midplane architectures to meet the growing demands of next-generation telecommunication and data networking equipment manufacturers. The Impact connector system is offered in 3-, 4-, 5- and 6-pair versions, with a complete range of guidance and power-solution options. For more information on Molex's Impact backplane connector system, contact [impact@molex.com](mailto:impact@molex.com)



## 1.90 by 1.35mm (.075" by .053") Pitch Impact™ Backplane Connector System 4 Pair

**76155 Backplane  
Signal Headers**

**76160 Daughtercard  
Connectors**



Impact 4 Pair by 10 Column Red Card Demo

## SPECIFICATIONS

### Reference Information

Packaging: Trays  
UL File No.: Pending  
CSA File No.: Pending  
Designed In: Millimeters

### Electrical

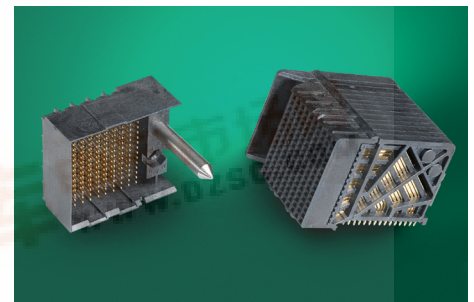
Signal Contact Current Rating: 1.0A  
Contact to Plated Through-Hole Resistance:  
1.0 milliohm max.  
Dielectric Withstanding Voltage: 750V RMS  
Insulation Resistance: 10,000 Megohms min.

### Mechanical

Contact Insertion Force:  
35.6N (8 lb) per contact.  
Contact Retention Force:  
4.45N (1.0 lb) min. per contact  
Mating Force: 0.69N (0.15 lb) max. per contact  
Durability: 200 cycles

### Physical

Housing: Liquid Crystal Polymer, UL 94V-0  
Contact: High Performance Copper (Cu) Alloy  
Plating:  
Contact Area — 0.76µm (30µ") Gold (Au) min.  
Termination Area — Tin (Sn) or Tin/Lead (Sn/Pb)  
Underplating — Nickel (Ni)  
PCB Thickness: 1.60mm (.062") typical  
Operating Temperature: -55 to +85°C max.



Impact 4 Pair by 10 Column Guide Left



找PDF  
维库一下  
pdf.dzsc.com

APPLICATIONS

[查询"76155-8108"供应商](#)



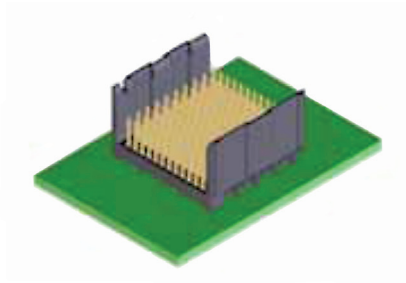
**1.90 by 1.35mm  
(.075" by .053") Pitch  
Impact™  
Backplane Connector System  
4 Pair**

- Telecommunications equipment
  - Hubs, switches, routers
  - Central office, cellular infrastructure and multi-platform service (DSL, Cable Data) systems
- Data networking equipment-Servers
  - Storage
- Test and measurement equipment
- Medical diagnostic equipment

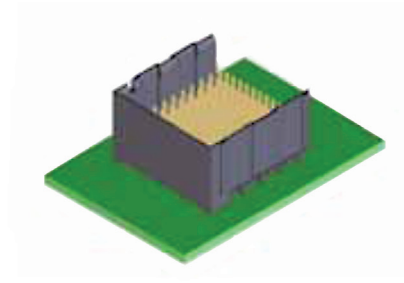


**76155 Backplane  
Signal Headers**  
**76160 Daughtercard  
Connectors**

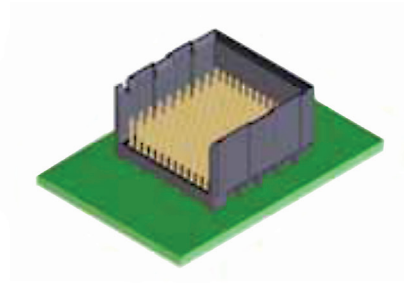
*Backplane Header Module Types*



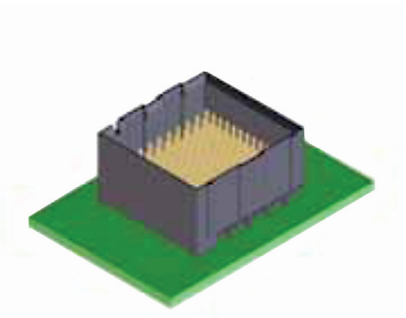
Open



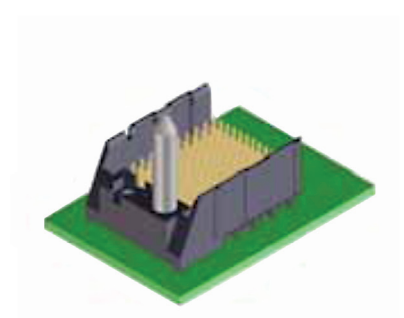
Left endwall, right open



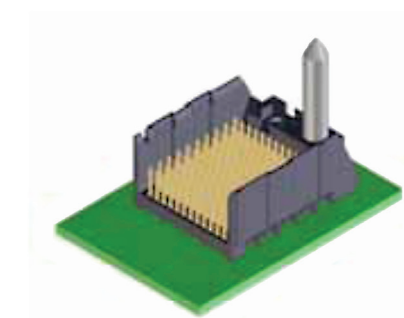
Right endwall, left open



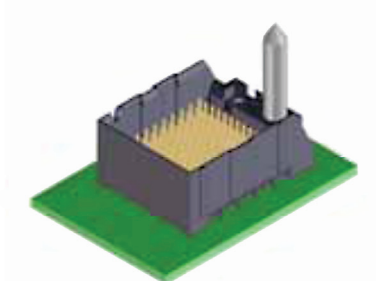
Dual endwall



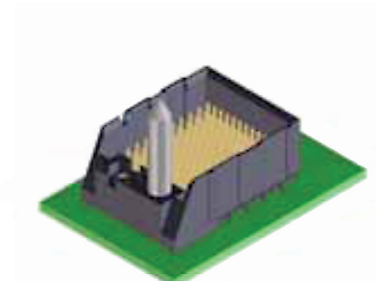
Left guide, right open



Left open, right guide



Left endwall, right guide



Left guide, right endwall

**ORDERING INFORMATION**

Backplane Signal Headers  
<http://www.molex.com> 查询 76155-8108"供应商



**Impact™  
 Backplane Connector System**

| Order No.  | Module Type                         | Pin Length | Key Position | Columns | Plated Through Hole Diameter |
|------------|-------------------------------------|------------|--------------|---------|------------------------------|
| 76155-0104 | Open, Tin-Lead                      | 4.90mm     | No Key       | 10      | 0.46mm                       |
| 76155-0107 | Open, Tin-Lead                      | 4.90mm     | No Key       | 10      | 0.37mm                       |
| 76155-1104 | Open, Lead-Free                     | 4.90mm     | No Key       | 10      | 0.46mm                       |
| 76155-1107 | Open, Lead-Free                     | 4.90mm     | No Key       | 10      | 0.37mm                       |
| 76155-0105 | Open, Tin-Lead                      | 5.50mm     | No Key       | 10      | 0.46mm                       |
| 76155-0108 | Open, Tin-Lead                      | 5.50mm     | No Key       | 10      | 0.37mm                       |
| 76155-1105 | Open, Lead-Free                     | 5.50mm     | No Key       | 10      | 0.46mm                       |
| 76155-1108 | Open, Lead-Free                     | 5.50mm     | No Key       | 10      | 0.37mm                       |
| 76155-0124 | Dual Endwall, Tin-Lead              | 4.90mm     | No Key       | 10      | 0.46mm                       |
| 76155-0127 | Dual Endwall, Tin-Lead              | 4.90mm     | No Key       | 10      | 0.37mm                       |
| 76155-1124 | Dual Endwall, Lead-Free             | 4.90mm     | No Key       | 10      | 0.46mm                       |
| 76155-1127 | Dual Endwall, Lead-Free             | 4.90mm     | No Key       | 10      | 0.37mm                       |
| 76155-0125 | Dual Endwall, Tin-Lead              | 5.50mm     | No Key       | 10      | 0.46mm                       |
| 76155-0128 | Dual Endwall, Tin-Lead              | 5.50mm     | No Key       | 10      | 0.37mm                       |
| 76155-1125 | Dual Endwall, Lead-Free             | 5.50mm     | No Key       | 10      | 0.46mm                       |
| 76155-1128 | Dual Endwall, Lead-Free             | 5.50mm     | No Key       | 10      | 0.37mm                       |
| 76155-6104 | Guide Left, Endwall, Tin-Lead       | 4.90mm     | No Key       | 10      | 0.46mm                       |
| 76155-6107 | Guide Left, Endwall, Tin-Lead       | 4.90mm     | No Key       | 10      | 0.37mm                       |
| 76155-7104 | Guide Left, Endwall, Lead-Free      | 4.90mm     | No Key       | 10      | 0.46mm                       |
| 76155-7107 | Guide Left, Endwall, Lead-Free      | 4.90mm     | No Key       | 10      | 0.37mm                       |
| 76155-6105 | Guide Left, Endwall, Tin-Lead       | 5.50mm     | No Key       | 10      | 0.46mm                       |
| 76155-6108 | Guide Left, Endwall, Tin-Lead       | 5.50mm     | No Key       | 10      | 0.37mm                       |
| 76155-7105 | Guide Left, Endwall, Lead-Free      | 5.50mm     | No Key       | 10      | 0.46mm                       |
| 76155-7108 | Guide Left, Endwall, Lead-Free      | 5.50mm     | No Key       | 10      | 0.37mm                       |
| 76155-8104 | Guide Right, Endwall, Tin-Lead      | 4.90mm     | No Key       | 10      | 0.46mm                       |
| 76155-8107 | Guide Right, Endwall, Tin-Lead      | 4.90mm     | No Key       | 10      | 0.37mm                       |
| 76155-9104 | Guide Right, Endwall, Lead-Free     | 4.90mm     | No Key       | 10      | 0.46mm                       |
| 76155-9107 | Guide Right, Endwall, Lead-Free     | 4.90mm     | No Key       | 10      | 0.37mm                       |
| 76155-8105 | Guide Right, Endwall, Tin-Lead      | 5.50mm     | No Key       | 10      | 0.46mm                       |
| 76155-8108 | Guide Right, Endwall, Tin-Lead      | 5.50mm     | No Key       | 10      | 0.37mm                       |
| 76155-9105 | Guide Right, Endwall, Lead-Free     | 5.50mm     | No Key       | 10      | 0.46mm                       |
| 76155-9108 | Guide Right, Endwall, Lead-Free     | 5.50mm     | No Key       | 10      | 0.37mm                       |
| 76155-0114 | Left Endwall, Right Open, Tin-Lead  | 4.90mm     | No Key       | 10      | 0.46mm                       |
| 76155-0117 | Left Endwall, Right Open, Tin-Lead  | 4.90mm     | No Key       | 10      | 0.37mm                       |
| 76155-1114 | Left Endwall, Right Open, Lead-Free | 4.90mm     | No Key       | 10      | 0.46mm                       |
| 76155-1117 | Left Endwall, Right Open, Lead-Free | 4.90mm     | No Key       | 10      | 0.37mm                       |
| 76155-0115 | Left Endwall, Right Open, Tin-Lead  | 5.50mm     | No Key       | 10      | 0.46mm                       |
| 76155-0118 | Left Endwall, Right Open, Tin-Lead  | 5.50mm     | No Key       | 10      | 0.37mm                       |
| 76155-1115 | Left Endwall, Right Open, Lead-Free | 5.50mm     | No Key       | 10      | 0.46mm                       |
| 76155-1118 | Left Endwall, Right Open, Lead-Free | 5.50mm     | No Key       | 10      | 0.37mm                       |
| 76155-0134 | Right Endwall, Left Open, Tin-Lead  | 4.90mm     | No Key       | 10      | 0.46mm                       |
| 76155-0137 | Right Endwall, Left Open, Tin-Lead  | 4.90mm     | No Key       | 10      | 0.37mm                       |
| 76155-1134 | Right Endwall, Left Open, Lead-Free | 4.90mm     | No Key       | 10      | 0.46mm                       |
| 76155-1137 | Right Endwall, Left Open, Lead-Free | 4.90mm     | No Key       | 10      | 0.37mm                       |
| 76155-0135 | Right Endwall, Left Open, Tin-Lead  | 5.50mm     | No Key       | 10      | 0.46mm                       |
| 76155-0138 | Right Endwall, Left Open, Tin-Lead  | 5.50mm     | No Key       | 10      | 0.37mm                       |
| 76155-1135 | Right Endwall, Left Open, Lead-Free | 5.50mm     | No Key       | 10      | 0.46mm                       |
| 76155-1138 | Right Endwall, Left Open, Lead-Free | 5.50mm     | No Key       | 10      | 0.37mm                       |

**ORDERING INFORMATION**



**Impact™  
Backplane Connector System**

Backplane Signal Headers (continued)  
[查询 76155-8108 供应商](http://www.molex.com)

| Order No.  | Module Type                     | Pin Length | Key Position | Columns | Plated Through Hole Diameter |
|------------|---------------------------------|------------|--------------|---------|------------------------------|
| 76155-2104 | Guide Left, Open, Tin-Lead      | 4.90mm     | No Key       | 10      | 0.46mm                       |
| 76155-2107 | Guide Left, Open, Tin-Lead      | 4.90mm     | No Key       | 10      | 0.37mm                       |
| 76155-3104 | Guide Left, Open, Lead-Free     | 4.90mm     | No Key       | 10      | 0.46mm                       |
| 76155-3107 | Guide Left, Open, Lead-Free     | 4.90mm     | No Key       | 10      | 0.37mm                       |
| 76155-2105 | Guide Left, Open, Tin-Lead      | 5.50mm     | No Key       | 10      | 0.46mm                       |
| 76155-2108 | Guide Left, Open, Tin-Lead      | 5.50mm     | No Key       | 10      | 0.37mm                       |
| 76155-3105 | Guide Left, Open, Lead-Free     | 5.50mm     | No Key       | 10      | 0.46mm                       |
| 76155-3108 | Guide Left, Open, Lead-Free     | 5.50mm     | No Key       | 10      | 0.37mm                       |
| 76155-4104 | Guide Right, Open, Tin-Lead     | 4.90mm     | No Key       | 10      | 0.46mm                       |
| 76155-4107 | Guide Right, Open, Tin-Lead     | 4.90mm     | No Key       | 10      | 0.37mm                       |
| 76155-5104 | Guide Right, Open, Lead-Free    | 4.90mm     | No Key       | 10      | 0.46mm                       |
| 76155-5107 | Guide Right, Open, Lead-Free    | 4.90mm     | No Key       | 10      | 0.37mm                       |
| 76155-4105 | Guide Right, Open, Tin-Lead     | 5.50mm     | No Key       | 10      | 0.46mm                       |
| 76155-4108 | Guide Right, Open, Tin-Lead     | 5.50mm     | No Key       | 10      | 0.37mm                       |
| 76155-5105 | Guide Right, Open, Lead-Free    | 5.50mm     | No Key       | 10      | 0.46mm                       |
| 76155-5108 | Guide Right, Open, Lead-Free    | 5.50mm     | No Key       | 10      | 0.37mm                       |
| 76155-0604 | Open, Tin-Lead                  | 4.90mm     | No Key       | 16      | 0.46mm                       |
| 76155-0607 | Open, Tin-Lead                  | 4.90mm     | No Key       | 16      | 0.37mm                       |
| 76155-1604 | Open, Lead-Free                 | 4.90mm     | No Key       | 16      | 0.46mm                       |
| 76155-1607 | Open, Lead-Free                 | 4.90mm     | No Key       | 16      | 0.37mm                       |
| 76155-0605 | Open, Tin-Lead                  | 5.50mm     | No Key       | 16      | 0.46mm                       |
| 76155-0608 | Open, Tin-Lead                  | 5.50mm     | No Key       | 16      | 0.37mm                       |
| 76155-1605 | Open, Lead-Free                 | 5.50mm     | No Key       | 16      | 0.46mm                       |
| 76155-1608 | Open, Lead-Free                 | 5.50mm     | No Key       | 16      | 0.37mm                       |
| 76155-0624 | Dual Endwall, Tin-Lead          | 4.90mm     | No Key       | 16      | 0.46mm                       |
| 76155-0627 | Dual Endwall, Tin-Lead          | 4.90mm     | No Key       | 16      | 0.37mm                       |
| 76155-1624 | Dual Endwall, Lead-Free         | 4.90mm     | No Key       | 16      | 0.46mm                       |
| 76155-1627 | Dual Endwall, Lead-Free         | 4.90mm     | No Key       | 16      | 0.37mm                       |
| 76155-0625 | Dual Endwall, Tin-Lead          | 5.50mm     | No Key       | 16      | 0.46mm                       |
| 76155-0628 | Dual Endwall, Tin-Lead          | 5.50mm     | No Key       | 16      | 0.37mm                       |
| 76155-1625 | Dual Endwall, Lead-Free         | 5.50mm     | No Key       | 16      | 0.46mm                       |
| 76155-1628 | Dual Endwall, Lead-Free         | 5.50mm     | No Key       | 16      | 0.37mm                       |
| 76155-6604 | Guide Left, Endwall, Tin-Lead   | 4.90mm     | No Key       | 16      | 0.46mm                       |
| 76155-6607 | Guide Left, Endwall, Tin-Lead   | 4.90mm     | No Key       | 16      | 0.37mm                       |
| 76155-7604 | Guide Left, Endwall, Lead-Free  | 4.90mm     | No Key       | 16      | 0.46mm                       |
| 76155-7607 | Guide Left, Endwall, Lead-Free  | 4.90mm     | No Key       | 16      | 0.37mm                       |
| 76155-6605 | Guide Left, Endwall, Tin-Lead   | 5.50mm     | No Key       | 16      | 0.46mm                       |
| 76155-6608 | Guide Left, Endwall, Tin-Lead   | 5.50mm     | No Key       | 16      | 0.37mm                       |
| 76155-7605 | Guide Left, Endwall, Lead-Free  | 5.50mm     | No Key       | 16      | 0.46mm                       |
| 76155-7608 | Guide Left, Endwall, Lead-Free  | 5.50mm     | No Key       | 16      | 0.37mm                       |
| 76155-8604 | Guide Right, Endwall, Tin-Lead  | 4.90mm     | No Key       | 16      | 0.46mm                       |
| 76155-8607 | Guide Right, Endwall, Tin-Lead  | 4.90mm     | No Key       | 16      | 0.37mm                       |
| 76155-9604 | Guide Right, Endwall, Lead-Free | 4.90mm     | No Key       | 16      | 0.46mm                       |
| 76155-9607 | Guide Right, Endwall, Lead-Free | 4.90mm     | No Key       | 16      | 0.37mm                       |
| 76155-8605 | Guide Right, Endwall, Tin-Lead  | 5.50mm     | No Key       | 16      | 0.46mm                       |
| 76155-8608 | Guide Right, Endwall, Tin-Lead  | 5.50mm     | No Key       | 16      | 0.37mm                       |
| 76155-9605 | Guide Right, Endwall, Lead-Free | 5.50mm     | No Key       | 16      | 0.46mm                       |
| 76155-9608 | Guide Right, Endwall, Lead-Free | 5.50mm     | No Key       | 16      | 0.37mm                       |

**ORDERING INFORMATION**



**Impact™  
Backplane Connector System**

Backplane Signal Headers (continued)  
[查询 76155-8108 供应商](http://www.molex.com)

| Order No.  | Module Type                         | Pin Length | Key Position | Columns | Plated Through Hole Diameter |
|------------|-------------------------------------|------------|--------------|---------|------------------------------|
| 76155-0614 | Left Endwall, Right Open, Tin-Lead  | 4.90mm     | No Key       | 16      | 0.46mm                       |
| 76155-0617 | Left Endwall, Right Open, Tin-Lead  | 4.90mm     | No Key       | 16      | 0.37mm                       |
| 76155-1614 | Left Endwall, Right Open, Lead-Free | 4.90mm     | No Key       | 16      | 0.46mm                       |
| 76155-1617 | Left Endwall, Right Open, Lead-Free | 4.90mm     | No Key       | 16      | 0.37mm                       |
| 76155-0615 | Left Endwall, Right Open, Tin-Lead  | 5.50mm     | No Key       | 16      | 0.46mm                       |
| 76155-0618 | Left Endwall, Right Open, Tin-Lead  | 5.50mm     | No Key       | 16      | 0.37mm                       |
| 76155-1615 | Left Endwall, Right Open, Lead-Free | 5.50mm     | No Key       | 16      | 0.46mm                       |
| 76155-1618 | Left Endwall, Right Open, Lead-Free | 5.50mm     | No Key       | 16      | 0.37mm                       |
| 76155-0634 | Right Endwall, Left Open, Tin-Lead  | 4.90mm     | No Key       | 16      | 0.46mm                       |
| 76155-0637 | Right Endwall, Left Open, Tin-Lead  | 4.90mm     | No Key       | 16      | 0.37mm                       |
| 76155-1634 | Right Endwall, Left Open, Lead-Free | 4.90mm     | No Key       | 16      | 0.46mm                       |
| 76155-1637 | Right Endwall, Left Open, Lead-Free | 4.90mm     | No Key       | 16      | 0.37mm                       |
| 76155-0635 | Right Endwall, Left Open, Tin-Lead  | 5.50mm     | No Key       | 16      | 0.46mm                       |
| 76155-0638 | Right Endwall, Left Open, Tin-Lead  | 5.50mm     | No Key       | 16      | 0.37mm                       |
| 76155-1635 | Right Endwall, Left Open, Lead-Free | 5.50mm     | No Key       | 16      | 0.46mm                       |
| 76155-1638 | Right Endwall, Left Open, Lead-Free | 5.50mm     | No Key       | 16      | 0.37mm                       |
| 76155-2604 | Guide Left, Open, Tin-Lead          | 4.90mm     | No Key       | 16      | 0.46mm                       |
| 76155-2607 | Guide Left, Open, Tin-Lead          | 4.90mm     | No Key       | 16      | 0.37mm                       |
| 76155-3604 | Guide Left, Open, Lead-Free         | 4.90mm     | No Key       | 16      | 0.46mm                       |
| 76155-3607 | Guide Left, Open, Lead-Free         | 4.90mm     | No Key       | 16      | 0.37mm                       |
| 76155-2605 | Guide Left, Open, Tin-Lead          | 5.50mm     | No Key       | 16      | 0.46mm                       |
| 76155-2608 | Guide Left, Open, Tin-Lead          | 5.50mm     | No Key       | 16      | 0.37mm                       |
| 76155-3605 | Guide Left, Open, Lead-Free         | 5.50mm     | No Key       | 16      | 0.46mm                       |
| 76155-3608 | Guide Left, Open, Lead-Free         | 5.50mm     | No Key       | 16      | 0.37mm                       |
| 76155-4604 | Guide Right, Open, Tin-Lead         | 4.90mm     | No Key       | 16      | 0.46mm                       |
| 76155-4607 | Guide Right, Open, Tin-Lead         | 4.90mm     | No Key       | 16      | 0.37mm                       |
| 76155-5604 | Guide Right, Open, Lead-Free        | 4.90mm     | No Key       | 16      | 0.46mm                       |
| 76155-5607 | Guide Right, Open, Lead-Free        | 4.90mm     | No Key       | 16      | 0.37mm                       |
| 76155-4605 | Guide Right, Open, Tin-Lead         | 5.50mm     | No Key       | 16      | 0.46mm                       |
| 76155-4608 | Guide Right, Open, Tin-Lead         | 5.50mm     | No Key       | 16      | 0.37mm                       |
| 76155-5605 | Guide Right, Open, Lead-Free        | 5.50mm     | No Key       | 16      | 0.46mm                       |
| 76155-5608 | Guide Right, Open, Lead-Free        | 5.50mm     | No Key       | 16      | 0.37mm                       |

**ORDERING INFORMATION**



**Impact™  
Backplane Connector System**

Daughterscard Connectors  
查询 76155-8108" 供应商

| Order No.  | Module Type | Plating   | Key Position | Columns | Plated Through Hole Diameter |
|------------|-------------|-----------|--------------|---------|------------------------------|
| 76160-0010 | Open        | Tin-Lead  | No Key       | 10      | 0.46mm                       |
| 76160-1010 | Open        | Lead-Free | No Key       | 10      | 0.46mm                       |
| 76160-0020 | Open        | Tin-Lead  | No key       | 10      | 0.37mm                       |
| 76160-1020 | Open        | Lead-Free | No Key       | 10      | 0.37mm                       |
| 76160-2010 | Guide Left  | Tin-Lead  | No Key       | 10      | 0.46mm                       |
| 76160-3010 | Guide Left  | Lead-Free | No Key       | 10      | 0.46mm                       |
| 76160-2020 | Guide Left  | Tin-Lead  | No key       | 10      | 0.37mm                       |
| 76160-3020 | Guide Left  | Lead-Free | No Key       | 10      | 0.37mm                       |
| 76160-4010 | Guide Right | Tin-Lead  | No Key       | 10      | 0.46mm                       |
| 76160-5010 | Guide Right | Lead-Free | No Key       | 10      | 0.46mm                       |
| 76160-4020 | Guide Right | Tin-Lead  | No key       | 10      | 0.37mm                       |
| 76160-5020 | Guide Right | Lead-Free | No Key       | 10      | 0.37mm                       |
| 76160-0016 | Open        | Tin-Lead  | No Key       | 16      | 0.46mm                       |
| 76160-1016 | Open        | Lead-Free | No Key       | 16      | 0.46mm                       |
| 76160-0026 | Open        | Tin-Lead  | No key       | 16      | 0.37mm                       |
| 76160-1026 | Open        | Lead-Free | No Key       | 16      | 0.37mm                       |
| 76160-2016 | Guide Left  | Tin-Lead  | No Key       | 16      | 0.46mm                       |
| 76160-3016 | Guide Left  | Lead-Free | No Key       | 16      | 0.46mm                       |
| 76160-2026 | Guide Left  | Tin-Lead  | No key       | 16      | 0.37mm                       |
| 76160-3026 | Guide Left  | Lead-Free | No Key       | 16      | 0.37mm                       |
| 76160-4016 | Guide Right | Tin-Lead  | No Key       | 16      | 0.46mm                       |
| 76160-5016 | Guide Right | Lead-Free | No Key       | 16      | 0.46mm                       |
| 76160-4026 | Guide Right | Tin-Lead  | No key       | 16      | 0.37mm                       |
| 76160-5026 | Guide Right | Lead-Free | No Key       | 16      | 0.37mm                       |

[www.molex.com/link/Impact.html](http://www.molex.com/link/Impact.html)

**Thermal Products Headquarters**  
1750 Country Farm Drive  
Naperville, IL 60563 USA  
1-800-78MOLEX

**Asia Pacific North Headquarters**  
Yamato, Kanagawa, Japan  
81-46-265-2325  
apninfo@molex.com

**Asia Pacific South Headquarters**  
Jurong, Singapore  
65-6268-6868  
fesinfo@molex.com

**European Headquarters**  
Munich, Germany  
49-89-413092-0  
eurinfo@molex.com

**Corporate Headquarters**  
2222 Wellington Ct.  
Lisle, IL 60532 U.S.A.  
P: 630-969-4550 F: 630-969-1352