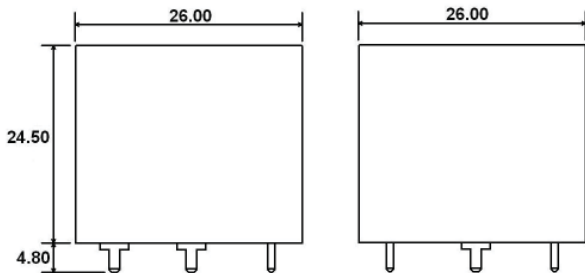


Ordering Information

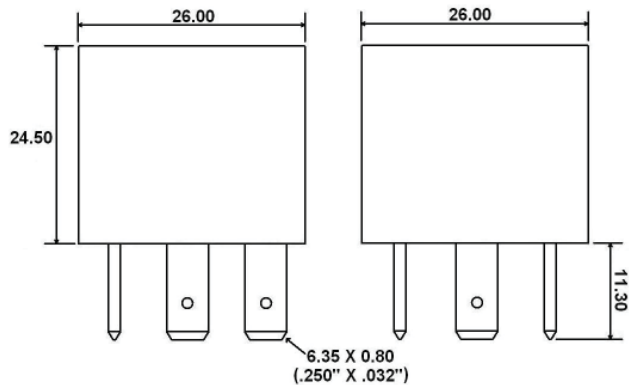
1. Series	A2	1C	S	Q	12VDC	1.6
A2 standard A2F with mounting flange A2M with metal bracket A2S with metal bracket and shroud						
2. Contact Arrangement 1A = SPST N.O. 1B = SPST N.C. 1C = SPDT 1U = SPST N.O. (2 terminals)						
3. Sealing Option S = Sealed C = Dust Cover *not available with A2S						
4. Termination P = PCB Pins *not available with A2S Q = Quick Connect						
5. Coil Voltage 6VDC 12VDC 24VDC						
6. Coil Power 1.6 = 1.6W 1.9 = 1.9W						
7. Coil Suppression Blank = Standard D = Diode (1N4005) Cathode on "86" terminal D1 = Diode (1N4004) Cathode on "86" terminal R = Resistor (180Ω for 6VDC; 680Ω for 12VDC; 2700Ω for 24VDC) 2D = 2 Diodes (1N4005) DR = Diode & Resistor Cathode on "86" terminal (1N4005 & 180Ω for 6VDC; 680Ω for 12VDC; 2700Ω for 24VDC) ** Consult factory if other values are needed						

Dimensions

Units = mm



A2 with PC Pins



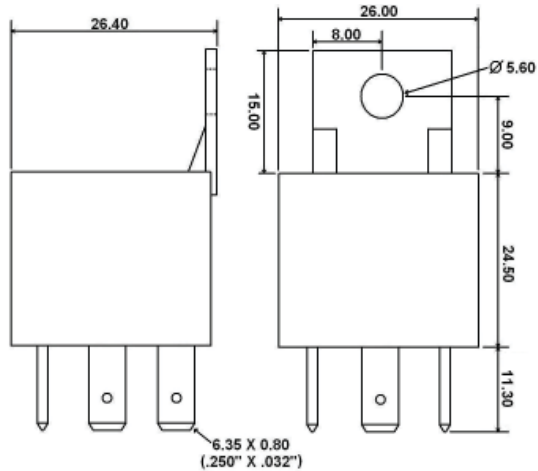
A2 with Quick Connects

Dimensions shown in mm. Dimensions are shown for reference purposes only.

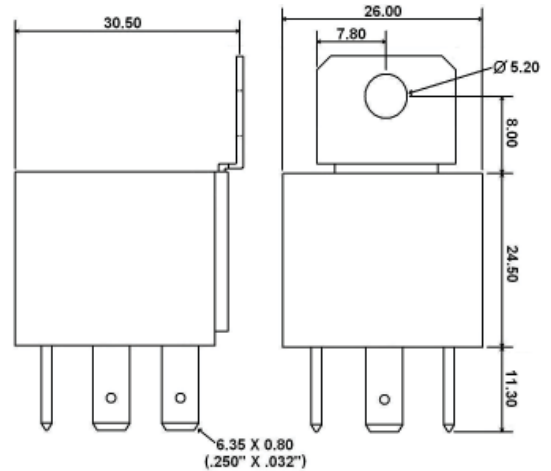
Specifications and availability subject to change without notice.

Dimensions

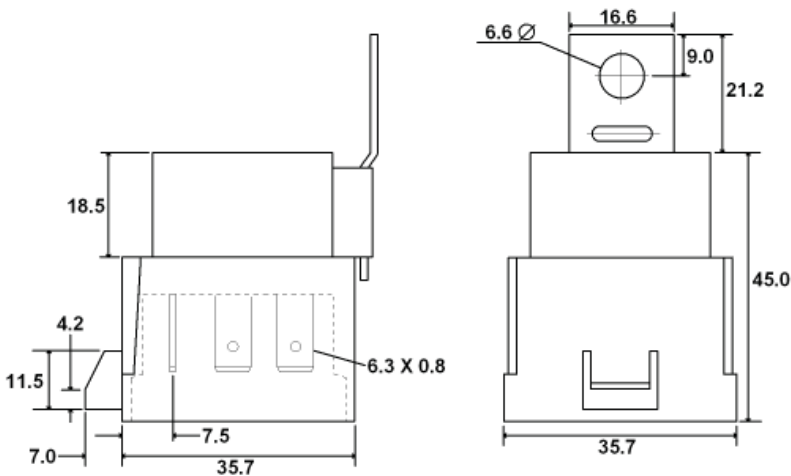
Units = mm



A2F with Quick Connect



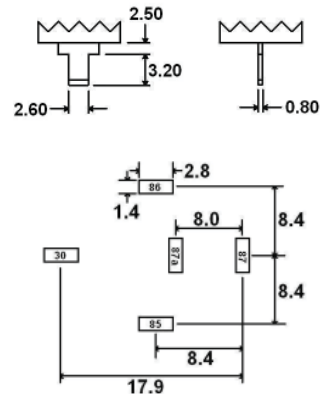
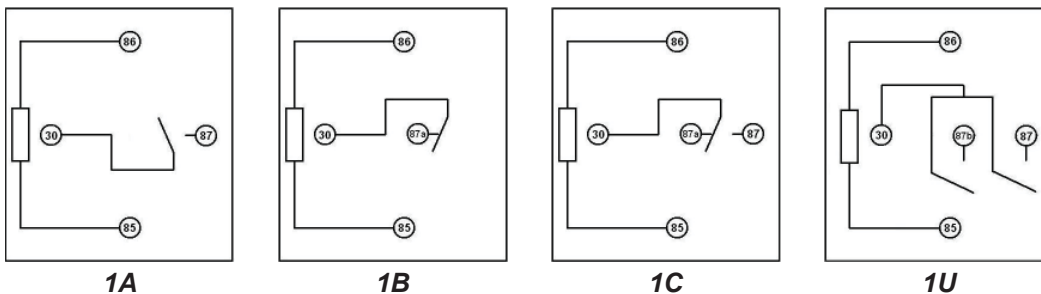
A2M with Quick Connects



A2S with Quick Connects

Schematics, PC Pin Dimenstions & PC Layouts

Bottom Views



Specifications and availability subject to change without notice.

Dimensions shown in mm. Dimensions are shown for reference purposes only.