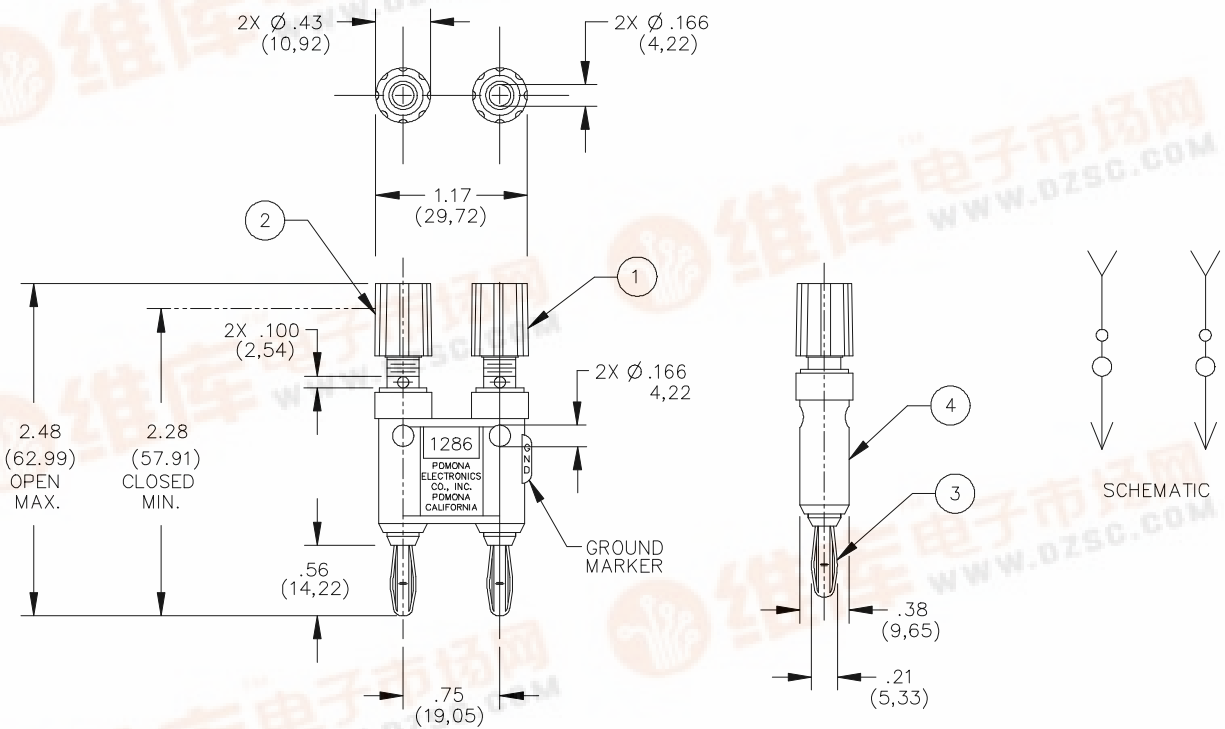


**Model 1286 & 5405
Double Banana Plug With
Binding Posts**



FEATURES:

- Converts Double Banana Jack Test Instruments to Binding Posts for test versatility.
- Banana Plugs can be stacked vertically or horizontally.
- Wires, spade lugs and pin tip plugs can be attached by means of the insulated knurl thumb knob.
- Insulated knurl thumb knob is captive to prevent misplacement.
- Banana Plugs feature Nickel/Gold Plated, Beryllium Copper for tarnish resistance & long insertion life.

MATERIALS:

Binding Post: Body – Brass, Nickel Plated (Model 1286), Brass, Gold Plated (Model 5405)
 Insulator Knurl Thumb Knob: Polycarbonate, Color: Black, Red
 Insulator: ABS, Molded to the binding Post and Banana Body
 Marking: “1286 POMONA ELECTRONICS” or “5405 POMONA ELECTRONICS”
 Banana Plug: Body: Brass, Nickel Plated (Model 1286), Brass, Gold Plated (Model 5405)
 Spring: Beryllium Copper, Nickel Plated (Model 1286)
 Beryllium Copper, Gold Plated (Model 5405)

RATINGS:

Operating Voltage: 2500 VDC
 Operating Temperature: +50°C (+122°F).
 Current: 15 Amperes Max.

ORDERING INFORMATION: Model 1286 & 5405

All dimensions are in inches. Tolerances (except noted): .xx = ±.02” (.51 mm), .xxx = ±.005” (.127 mm).
 All specifications are to the latest revisions. Specifications are subject to change without notice.
 Registered trademarks are the property of their respective companies. Made in USA

Sales: 909-469-2900 Fax: 909-629-3317
 Technical Assistance: 800-241-2060

PomonaACCESS 90500 (800) 444-6785 or (949) 253-3858
 More drawings available at www.pomonaelectronics.com

