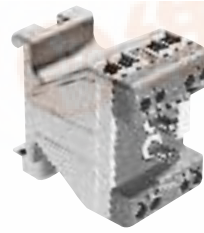
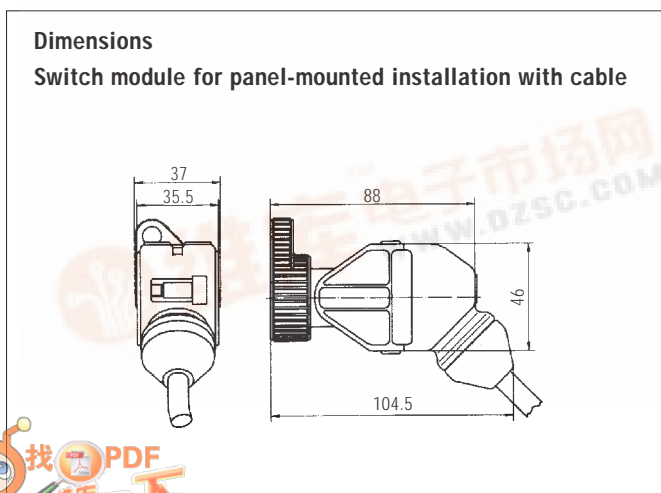
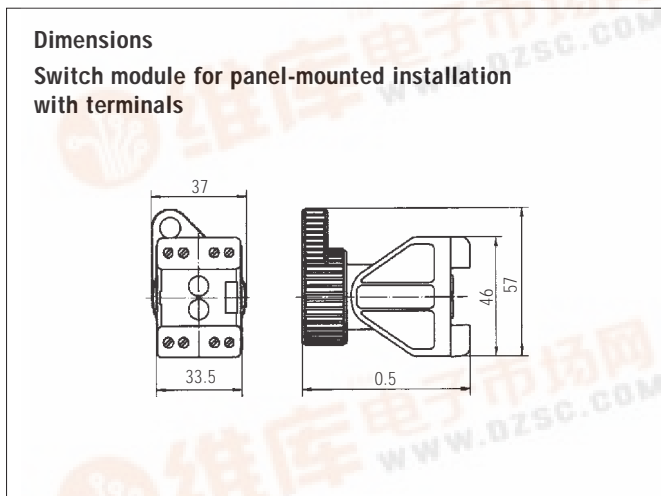
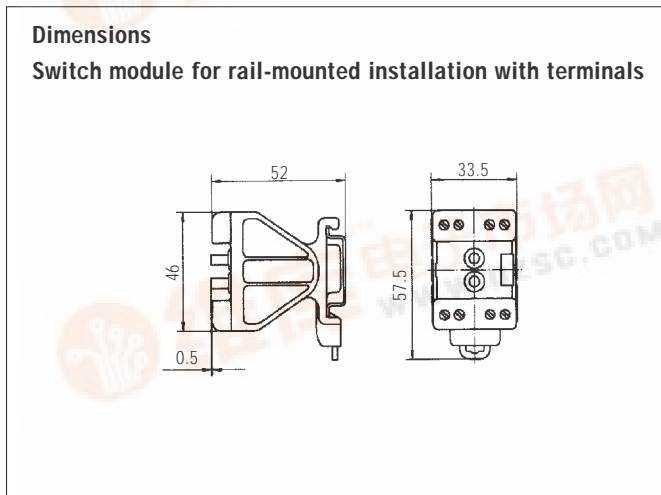




Switch Modules



for rail-mounted installation with terminals



Explosion protection

Ex protection type II 2G EEx de IIC  
I M2 EEx de I  
Certification PTB no. Ex-95.D.1035 U  
PTB 99 ATEX 1043U  
UL E184198 (N)  
Ambient temperature - 50 °C to + 60 °C

Technical data

Protection class switch insert IP 66  
in connection with ComEx-enclosure terminals IP 20 (IEC 529)  
Rated insulation voltage 690 V  
Rated voltage 250 V 250 V 110 V 24 V 230 V  
Utilization category AC 12 AC 15 DC 13 DC 13  
Rated operating currents 16 A 10 A 0.5 A 1 A 10 A  
Nominal currents I<sub>th</sub> 16 A / + 40 °C, 11 A / + 60 °C  
Contact options 1 NC and 1 NO,  
2 NC or 2 NO  
Contact material AgSnO<sub>2</sub>  
Enclosure material thermoplastic  
Connection Type terminals 2.5 mm<sup>2</sup>, stranded  
Mechanical life 10<sup>6</sup> switching cycles  
Storage-/transport temperature - 50 °C to + 70 °C  
Weight approx. 70 g  
Mounting on mounting rail TS 35 x 7,5  
Shock resistance DIN IEC 68 part 2-27, 30 g 18 ms

**Selection chart**

Type of contact	Code no.	Actuating element	Code no.
2 NC	1	Pushbutton	10
		Emergency stop Not-Aus	20
		Selector switch 0 + I latching, 2 positions	30
		Selector switch I + II latching, 3 positions	40
2 NO	2	Selector switch I + II momentary-contact, 3 positions	41
		Selector switch I latching, II momentary-contact, 3 positions	42
		Selector switch I momentary-contact, II latching, 3 positions	43
		Mushroom pushbutton, black	50
1 NC + 1 NO	4	lockable in both positions	60
		lockable in the depressed position	61
		lockable in the initial position	62
		Locking-type mushroom pushbutton	63

Module without actuating element 07-3321-1 00  
Module with actuating element 07-3321-1 00/ 00

Complete order no.

Please enter code number.



for panel-mounted installation with terminals



for panel-mounted installation with connection cable

Explosion protection

Ex protection type II 2G EEx de II C  
 I M2 EEx de I  
 Certification PTB no. Ex-95.D.1035 U  
 PTB 99 ATEX 1043U  
 UL E184198 (N)  
 Ambient temperature - 50 °C to + 60 °C

Technical data

Protection class Switch insert IP 66 together with actuators terminals IP 20 (IEC 529)  
 Rated insulation voltage 690 V  
 Rated operating voltage 250 V 250 V 110 V 24 V 230 V  
 Utilization category AC 12 AC 15 DC 13 DC 13  
 Rated operating currents 16 A 10 A 0.5 A 1 A 10 A  
 Nominal current I<sub>the</sub> 16 A / + 40 °C, 11 A / + 60 °C  
 Contact options 1 NC and 1 NO, 2 NC or 2 NO,  
 Contact material AgSnO<sub>2</sub>  
 Enclosure material thermoplastic  
 Connection type terminals 2.5 mm<sup>2</sup>, stranded  
 Mechanical life 10<sup>6</sup> switching cycles  
 Storage-/transport temperature - 50 °C to + 70 °C  
 Weight approx. 87 g  
 Shock resistance DIN IEC 68 part 2-27, 30 g 18 ms

Explosion protection

Ex protection type EEx d IIC T6  
 Certification PTB no. Ex-95.D.1054 X  
 UL E184198 (N)  
 Ambient temperature - 50 °C to + 60 °C

Technical data

Protection class Switch insert IP 67 together with actuators terminals IP 20 (IEC 529)  
 Rated insulation voltage 690 V  
 Rated operating voltage 250 V 250 V 110 V 24 V 230 V  
 Utilization category AC 12 AC 15 DC 13 DC 13  
 Rated operating currents 16 A 10 A 0.5 A 1 A 10 A  
 Nominal currents I<sub>the</sub> 16 A / + 40 °C, 11 A / + 60 °C  
 Contact options 1 NC and 1 NO, 2 NC or 2 NO, 1 NC or 1 NO  
 Contact material AgSnO<sub>2</sub>  
 Enclosure material Thermoplastic  
 Connection Type flexible cord 4 x 1,5 mm<sup>2</sup> (Ø 9,1 mm) rep. 2 x 1,5 mm<sup>2</sup>, (Ø 7,7 mm)  
 Mechanical life 10<sup>6</sup> switching cycles  
 Storage-/transport temperature - 50 °C to + 70 °C  
 Weight approx. 160 g without cable  
 Cable length 3 m, indicate greater lengths in plain text  
 Shock resistance DIN IEC 68 part 2-27, 30 g 18 ms

Selection chart

Type of contact	Code no.	Actuating element	Code no.
2 NC	1	Pushbutton	10
		Emergency stop Not-Aus	20
		Selector switch 0 + I latching, 2 positions	30
		Selector switch I + II latching, 3 positions	40
2 NO	2	Selector switch I + II momentary-contact, 3 positions	41
		Selector switch I latching, II momentary-contact, 3 positions	42
		Selector switch I momentary-contact, II latching, 3 positions	43
		Mushroom pushbutton, black	50
1 NC + 1 NO	4	lockable in both positions	60
		lockable in the depressed position	61
		lockable in the initial position	62
		Locking-type mushroom pushbutton	63

Module without actuating element 07-3323-1 00  
 Module with actuating element 07-3323-1 00/ 00

Complete order no.

Please enter code number.

Selection chart

Type of contact	Code no.	Actuating element	Code no.
2 NC	1	Pushbutton	10
		Emergency stop Not-Aus	20
		Selector switch 0 + I latching, 2 positions	30
		Selector switch I + II latching, 3 positions	40
2 NO	2	Selector switch I + II momentary-contact, 3 positions	41
		Selector switch I latching, II momentary-contact, 3 positions	42
		Selector switch I momentary-contact, II latching, 3 positions	43
		Mushroom pushbutton, black	50
1 NC + 1 NO	4	lockable in both positions	60
		lockable in the depressed position	61
		lockable in the initial position	62
		Locking-type mushroom pushbutton	63

Module without actuating element 07-3323-3 03  
 Module with actuating element 07-3323-3 03/ 00

Complete order no.

Please enter code number.