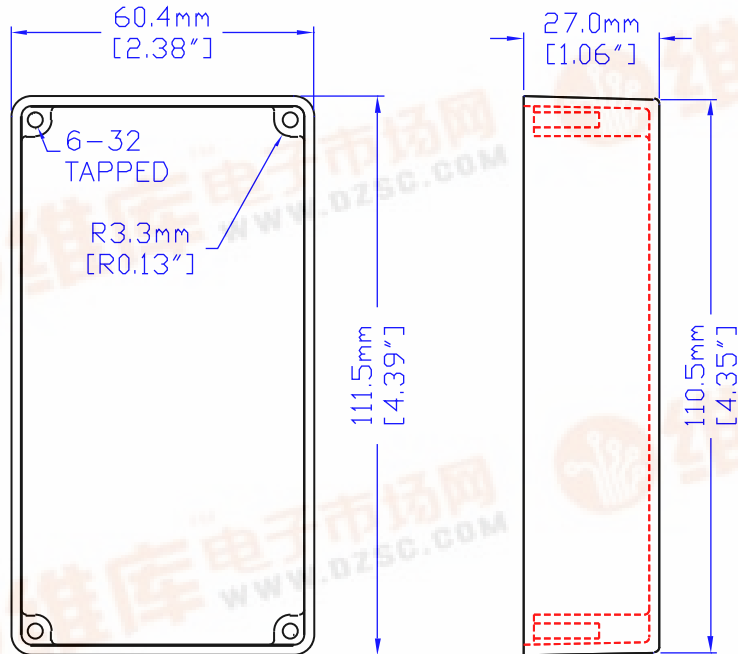


NOTES

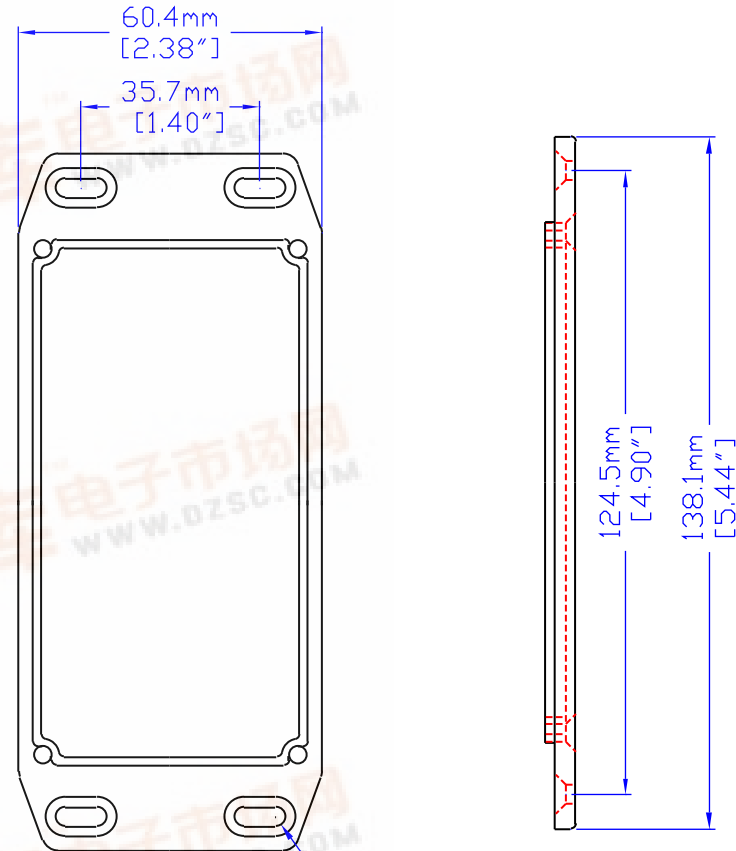
MATERIAL: -DIECAST ALUMINUM ALLOY.  
-FOUR 6-32 Phillips SCREWS.

[查询"1590BFL"供应商](#)

VIEW OF BOX (LID REMOVED)



VIEW INSIDE LID



4.3 X 10.5 mm  
(.17 X .40")  
SLOTS COUNTERSUNK

NOTE:  
FOR DETAIL DIMENSIONING  
REFER TO DRAWING  
# 1590B

AVAILABLE FROM STOCK.

Waterproof enclosure is available from stock. Part number 1590WBFL (Silicone seal, SS screws) The enclosure will afford protection to NEMA 4 and IP 65 levels.

Black and Grey textured powder coat finish are stock.



HAMMOND MANUFACTURING

**1590BFL**

CANADA - PH (519) 886 7170 - FAX (519) 886 8311  
U.S.A. - PH (716) 631 5700 - FAX (716) 631 1156

