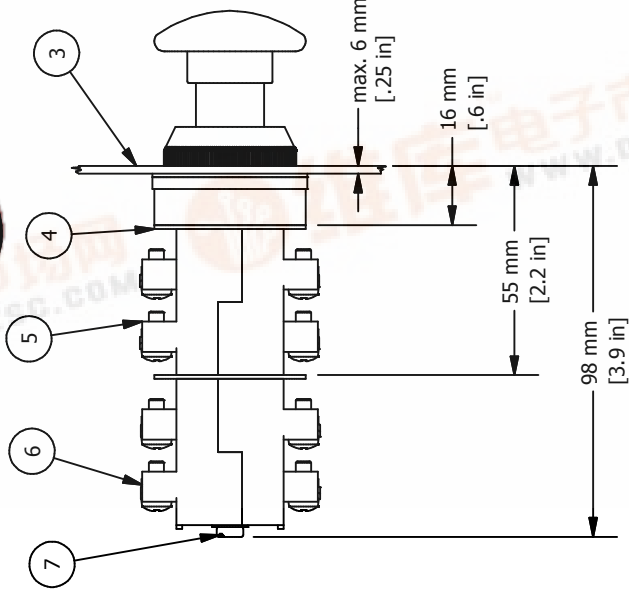
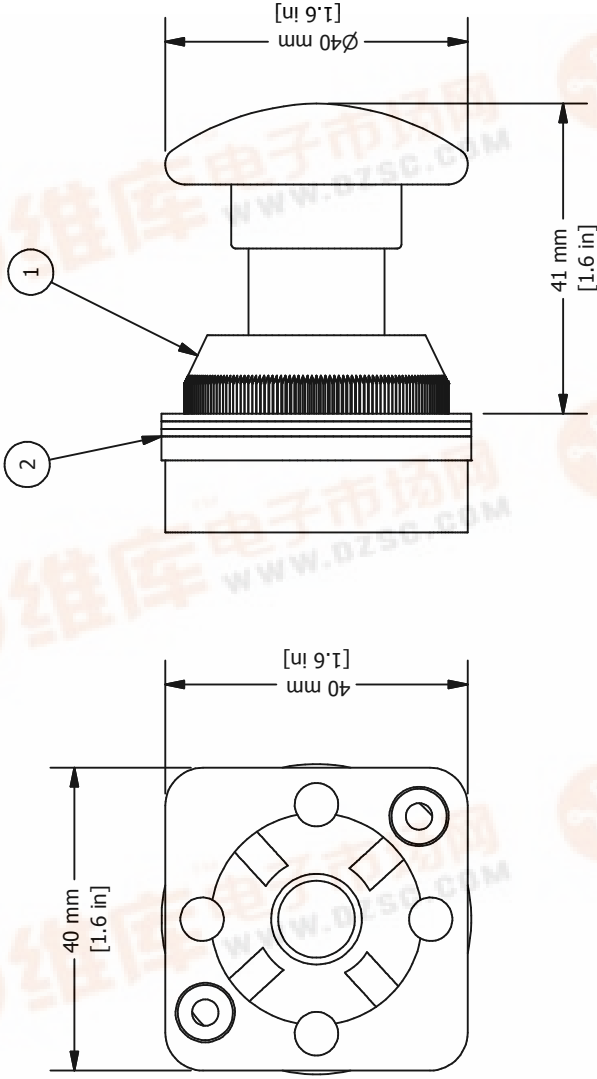


REVISION FOR DWG # 1PB-AMx

REV	CH.NO.	DESCRIPTION	DATE	REVISED BY
-	-	ORIGINAL DESIGN	11/20/2007	PHILIPP E.



* = Operator includes 3x ARW1.2, 1x ARW3.2
 ** = Switch Contacts include Contact element washer and two SC24 installation screws, if more than two contact blocks are used, additional screws must be purchased separately (SC45, SC65 or SC90)

ITEM	DESCRIPTION	CAT. NO.	COLOR	MIN. QTY.	MAX. QTY.
		AM1	White	1	1
		AM2	Black	1	1
		AM3	Green	1	1
		AM4	Red	1	1
		AM6	Blue	1	1
		AM8	Yellow	1	1
		ARW1.2/ARW3.2	Black	1	4
2*	Rubber washer	-	-	-	-
3	Panel	-	-	-	-
4**	Contact Element washer	-	Black	1	2
5**	Switch Contacts	S11	Red	1	2
6**	Switch Contacts	S12	Yellow	1	2
7**	Contact Block Installation Screws	SC25/SC45/SC65/SC90	-	1	2

TITLE 30 mm Non-Illuminated Mushroom Momentary Metal Operator AMx (x=color)

DRAWN BY:	11/20/2007	DRAWING NO.:	REV.:
Philipp Ernstberger		1PB-AMx	-
CHECKED BY:		SCALE:	
Laszlo Gyorgypal		-	SHEET: 1 OF: 1
RELEASED BY:			
Laszlo Gyorgypal			

AND IS A CONFIDENTIAL DISCLOSURE. WITHOUT CONSIDERATION OTHER THAN THE BORROWER'S AGREEMENT THAT IT SHALL NOT BE REPRODUCED, COPIED, LENT OR DISPOSED OF DIRECTLY OR INDIRECTLY NOR USED FOR ANY PURPOSE OTHER THAN THAT FOR WHICH IT IS SPECIFICALLY FURNISHED.

This Drawing is the property of
Altech Corp.
 35 Royal Road
 Flemington, NJ 08822-6000
 (908) 906-9400
 Fax (908) 806-9490

UNLESS OTHERWISE SPECIFIED: • ALL DIMENSIONS ARE IN MILLIMETERS • THIRD ANGLE PROJECTION		TOLERANCE XX = ±1 mm XX X = ±0.5 mm XX.XX = ±0.2 mm ALL = - mm
--	--	--

This datasheet has been downloaded from:

www.EEworld.com.cn

Free Download

Daily Updated Database

100% Free Datasheet Search Site

100% Free IC Replacement Search Site

Convenient Electronic Dictionary

Fast Search System

www.EEworld.com.cn