



Chokes and inductors

For high frequency and EMC
RF chokes, LBC series, axial

Series/Type: B82144A
Date: November 2005

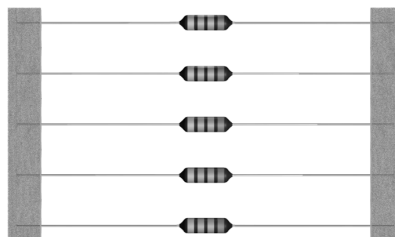


RF chokes

B82144A

LBC series

LBC choke (Large Bobbin Core)
Rated current 20 to 2200 mA
Rated inductance 1 to 100 000 μ H



Construction

- Large ferrite drum core
- Winding: enamel copper wire
- Flame-retardant lacquer coating

Features

- Very wide inductance range
- High rated current
- RoHS-compatible (see page 6)

Applications

- RF blocking and filtering
- Decoupling and interference suppression
- For telecommunications (12- or 16-kHz blocking filter), automotive electronics, energy-saving lamps, entertainment electronics

Terminals

- Central axial leads, lead-free tinned

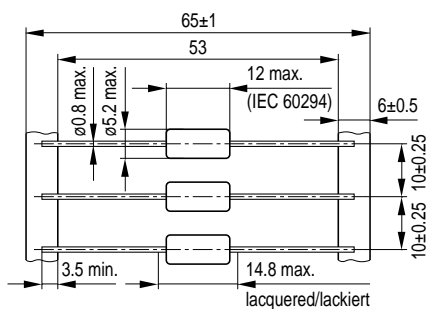
Marking

Inductance indicated by color bands to IEC 60062

Delivery mode

Taped, Ammo and reel packing (packing see page 8)

Dimensional drawing



IND0431-4

Minimum lead spacing 15 mm

Approx. weight 1.1 g

Please read the *Important notes* at the end of this document.



RF chokes

B82144A

LBC series

Characteristics and ordering codes

For further technical data see page 6.

L_R μH	Tolerance ¹⁾	Q_{\min}	f_Q MHz	I_R mA	R_{\max} Ω	$f_{\text{res, min}}$ MHz	Ordering code (reel packing) ²⁾
1.0	$\pm 10\%$ $\triangleq K$	40	7.96	2200	0.08	200	B82144A2102K000
1.5		40	7.96	2100	0.09	190	B82144A2152K000
2.2		40	7.96	1900	0.11	140	B82144A2222K000
3.3		40	7.96	1750	0.13	120	B82144A2332K000
4.7		40	7.96	1600	0.16	100	B82144A2472K000
6.8		40	7.96	1500	0.19	80	B82144A2682K000
10		60	2.52	1400	0.22	60	B82144A2103K000
15		60	2.52	1250	0.28	20	B82144A2153K000
22		50	2.52	1100	0.35	12	B82144A2223K000
33		$\pm 5\%$ $\triangleq J$	40	2.52	900	0.43	8.0
47	40		2.52	800	0.50	5.0	B82144A2473J000
68	30		2.52	700	0.60	4.5	B82144A2683J000
100	50		0.796	600	0.70	3.5	B82144A2104J000
150	50		0.796	500	0.90	3.0	B82144A2154J000
220	50		0.796	400	1.60	2.4	B82144A2224J000
330	50		0.796	330	1.90	2.0	B82144A2334J000
470	40		0.796	280	2.50	1.5	B82144A2474J000
680	30		0.796	240	2.80	1.3	B82144A2684J000
1000	60		0.252	200	3.80	1.2	B82144A2105J000
1500	60		0.252	160	6.00	1.0	B82144A2155J000
2200	60		0.252	120	9.00	0.8	B82144A2225J000
3300	60		0.252	110	12.0	0.6	B82144A2335J000
4700	60		0.252	90	20.0	0.5	B82144A2475J000
6800	60		0.252	80	30.0	0.4	B82144A2685J000
10000	50		0.0796	60	42.0	0.35	B82144A2106J000
15000	50		0.0796	50	68.0	0.30	B82144A2156J000
22000	50		0.0796	40	120	0.26	B82144A2226J000

1) Closer tolerances upon request.

2) For Ammo pack the last digit has to be a »9«. Example: B82144A2102K009

Please read the *Important notes* at the end of this document.



RF chokes

B82144A

LBC series

Characteristics and ordering codes (continued)

For further technical data see page 6..

L_R μH	Tolerance ¹⁾	Q_{min}	f_Q MHz	I_R mA	R_{max} Ω	$f_{\text{res, min}}$ MHz	Ordering code (reel packing) ²⁾
33000	$\pm 5\%$	50	0.0796	35	150	0.22	B82144A2336J000
47000	$\triangleq J$	40	0.0796	30	230	0.18	B82144A2476J000
68000		40	0.0796	25	290	0.15	B82144A2686J000
100000		40	0.0796	20	420	0.12	B82144A2107J000

For telecommunications in the blocking filter for 12-kHz and 16-kHz counting pulses

980	$\pm 3\%$	25	0.016	200	3.8	1.2	B82144A2984A000
1450	$\triangleq A$	25	0.016	140	6.0	1.0	B82144A2145A500
2600		20	0.012	120	11.0	0.7	B82144A2265A000
3050		25	0.016	100	12.0	0.6	B82144A2305A500
5330		20	0.012	90	25.0	0.5	B82144A2535A300

1) Closer tolerances upon request.

2) For Ammo pack the last digit has to be a »9«. Example: B82144A2336J009

Please read the *Important notes* at the end of this document.

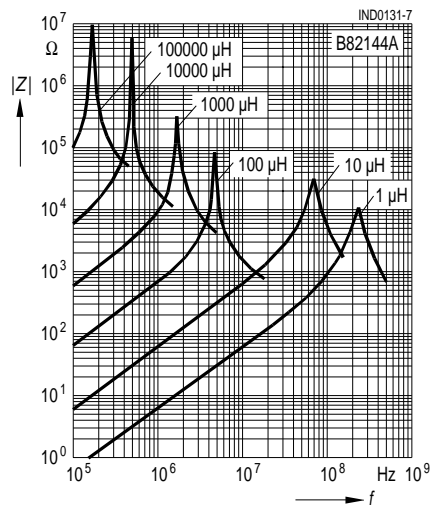


RF chokes

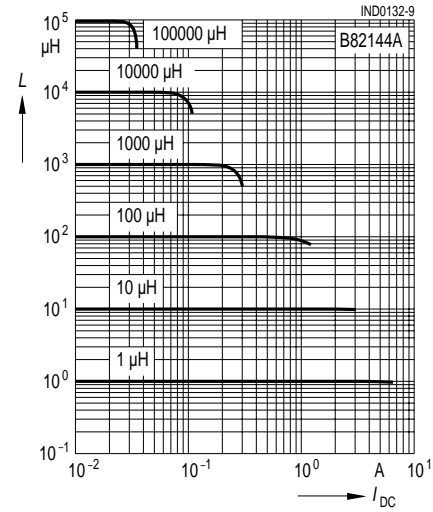
B82144A

LBC series

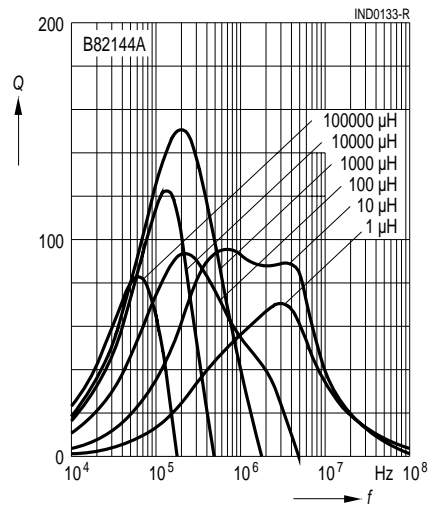
Impedance $|Z|$
versus frequency f
measured with impedance analyzer
HP 4191A / HP 4194A



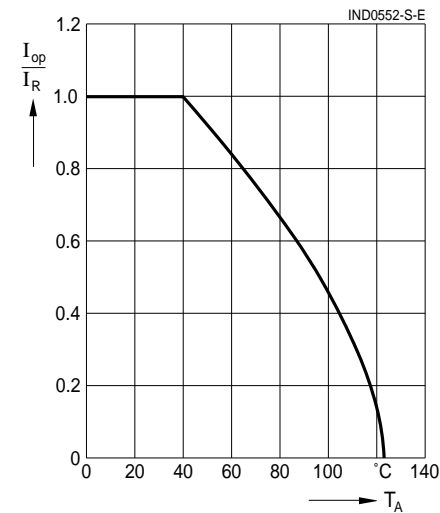
Inductance L
versus DC load current I_{DC}
measured with LCR meter
HP 4275A



Q factor
versus frequency f
measured with impedance analyzer
HP 4194A



Current derating I_{op}/I_R
versus ambient temperature T_A
(rated temperature $T_R = 40^\circ\text{C}$)



Please read the *Important notes* at the end of this document.



RF chokes	B82144A
LBC series	

General technical data

Rated inductance L_R	Measuring frequency: $L \leq 10 \mu\text{H}$ = 1 MHz $10 \mu\text{H} < L \leq 4700 \mu\text{H}$ = 100 kHz $L > 4700 \mu\text{H}$ = 10 kHz Measuring current: $\leq 1 \text{ mA}$ Distance between measuring clamps: 25.4 mm
Q factor Q_{\min}	Measured with HP 4342A
Rated current I_R	Maximum permissible DC current referred to 40 °C ambient temperature, for derating see below
Inductance decrease $\Delta L/L_0$	$\leq 10\%$ (referred to initial value) at I_R at 20 °C ambient temperature
DC resistance R_{\max}	Measured at 20 °C ambient temperature, distance between measuring clamps: 25.4 mm
Resonance frequency $f_{\text{res, min}}$	Measured with Scalar Network Analyzer ZAS from Rohde & Schwarz
Climatic category	55/125/56 (-55 °C/+125 °C/56 days damp heat test) to IEC 60068-1
Solderability	235 °C, 2 s, $\geq 90\%$ wetting to IEC 60068-2-20, test Ta
Resistance to soldering heat	To IEC 60068-2-20, test Tb 260 °C, 10 s
Tensile strength of leads	To IEC 60068-2-21, test Ua $\geq 20 \text{ N}$
RoHS-compatible	RoHS-compatible is defined as compatible with the following documents: DIRECTIVE 2002/95/EC OF THE EUROPEAN PARLIAMENT AND OF THE COUNCIL of 13 February 2003 on the restriction of the use of certain hazardous substances in electrical and electronic equipment COM (2004) 606 final Proposal for a COUNCIL DECISION amending Directive 2002/95/EC of the European Parliament and of the Council for the purposes of establishing the maximum concentration values for certain hazardous substances in electrical and electronic equipment.
Mounting information	When bending the leads, take care that the start-of-winding areas at the face ends (protected by glue and lacquer) are not subjected to any mechanical stress.

Please read the *Important notes* at the end of this document.



RF chokes

B82144A

LBC series

Color coding of the inductance value

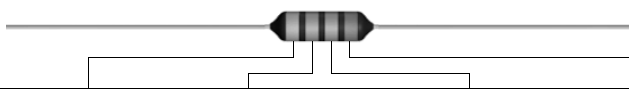
The inductance value and tolerance are encoded by means of colored bands in accordance with IEC 60062. The basic unit is μH .

1st band 1st digit of inductance value

2nd band 2nd digit of inductance value

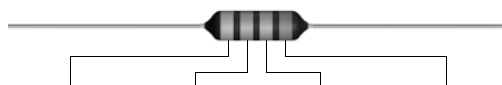
3rd band multiplier, i.e. the power of ten, by which the first two digits have to be multiplied.

4th band tolerance of the inductance value.



Color code	1 st band = 1 st digit	2 nd band = 2 nd digit	3 rd band = multiplier	4 th band = tolerance
Colorless	—	—	—	$\pm 20\%$ (M)
Silver	—	—	$\times 10^{-2} \mu\text{H} = 0.01 \mu\text{H}$	$\pm 10\%$ (K)
Gold	—	—	$\times 10^{-1} \mu\text{H} = 0.1 \mu\text{H}$	$\pm 5\%$ (J)
Black	—	0	$\times 10^0 \mu\text{H} = 1 \mu\text{H}$	—
Brown	1	1	$\times 10^1 \mu\text{H} = 10 \mu\text{H}$	
Red	2	2	$\times 10^2 \mu\text{H} = 100 \mu\text{H}$	$\pm 2\%$ (G)
Orange	3	3	$\times 10^3 \mu\text{H} = 1000 \mu\text{H}$	
Yellow	4	4	$\times 10^4 \mu\text{H} = 10000 \mu\text{H}$	
Green	5	5	$\times 10^5 \mu\text{H} = 100000 \mu\text{H}$	
Blue	6	6		Special designs manufactured to customer specifications are identified by a white tolerance band.
Violet	7	7		
Grey	8	8		
White	9	9		

Examples:



1 st band	2 nd band	3 rd band	4 th band	Decoding
Yellow 4	Violet 7	Gold $\times 0.1 \mu\text{H}$	Silver $\pm 10\%$	$= 47 \times 0.1 \mu\text{H} \pm 10\% = 4.7 \mu\text{H} \pm 10\%$
Brown 1	Green 5	Red $\times 100 \mu\text{H}$	Gold $\pm 5\%$	$= 15 \times 100 \mu\text{H} \pm 5\% = 1500 \mu\text{H} \pm 5\%$

Please read the *Important notes* at the end of this document.



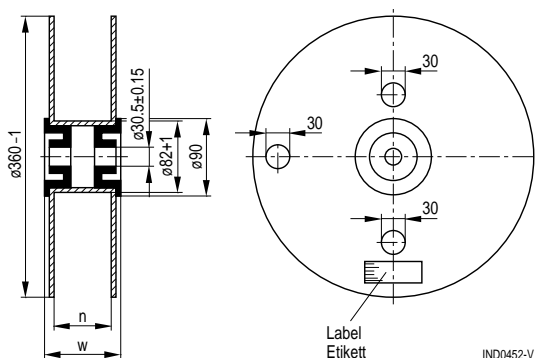
RF chokes

B82144A

LBC series

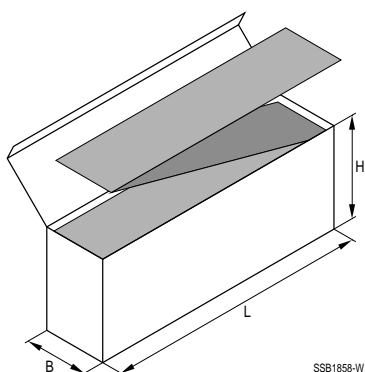
Packing

Reel packing



	Axial
n (mm)	72 +1
w (mm)	84 max.

Ammo packing



	Axial
L (mm)	265 max.
B (mm)	75 max.
H (mm)	125 max.

Packing units

	Reel packing pcs./reel	Ammo pack pcs./pack.
Axial	1500	1250

Please read the *Important notes* at the end of this document.



Important notes

The following applies to all products named in this publication:

1. Some parts of this publication contain **statements about the suitability of our products for certain areas of application**. These statements are based on our knowledge of typical requirements that are often placed on our products in the areas of application concerned. We nevertheless expressly point out **that such statements cannot be regarded as binding statements about the suitability of our products for a particular customer application**.
As a rule, EPCOS is either unfamiliar with individual customer applications or less familiar with them than the customers themselves. For these reasons, it is always ultimately incumbent on the customer to check and decide whether an EPCOS product with the properties described in the product specification is suitable for use in a particular customer application.
2. We also point out that **in individual cases, a malfunction of passive electronic components or failure before the end of their usual service life cannot be completely ruled out in the current state of the art, even if they are operated as specified**. In customer applications requiring a very high level of operational safety and especially in customer applications in which the malfunction or failure of a passive electronic component could endanger human life or health (e.g. in accident prevention or life-saving systems), it must therefore be ensured by means of suitable design of the customer application or other action taken by the customer (e.g. installation of protective circuitry or redundancy) that no injury or damage is sustained by third parties in the event of malfunction or failure of a passive electronic component.
3. **The warnings, cautions and product-specific notes must be observed.**
4. In order to satisfy certain technical requirements, **some of the products described in this publication may contain substances subject to restrictions in certain jurisdictions (e.g. because they are classed as "hazardous")**. Useful information on this will be found in our Material Data Sheets on the Internet (www.epcos.com/material). Should you have any more detailed questions, please contact our sales offices.
5. We constantly strive to improve our products. Consequently, **the products described in this publication may change from time to time**. The same is true of the corresponding product specifications. Please check therefore to what extent product descriptions and specifications contained in this publication are still applicable before or when you place an order.
We also **reserve the right to discontinue production and delivery of products**. Consequently, we cannot guarantee that all products named in this publication will always be available.
6. Unless otherwise agreed in individual contracts, **all orders are subject to the current version of the "General Terms of Delivery for Products and Services in the Electrical Industry" published by the German Electrical and Electronics Industry Association (ZVEI)**.
7. The trade names EPCOS, CeraDiode, CSSP, PhaseCap, PhaseMod, SilverCap, SIFI, SIMID, SIKOREL, SIOV, SIP5D, SIP5K, TOPcap, UltraCap, WindCap are **trademarks registered or pending** in Europe and in other countries. Further information will be found on the Internet at www.epcos.com/trademarks.