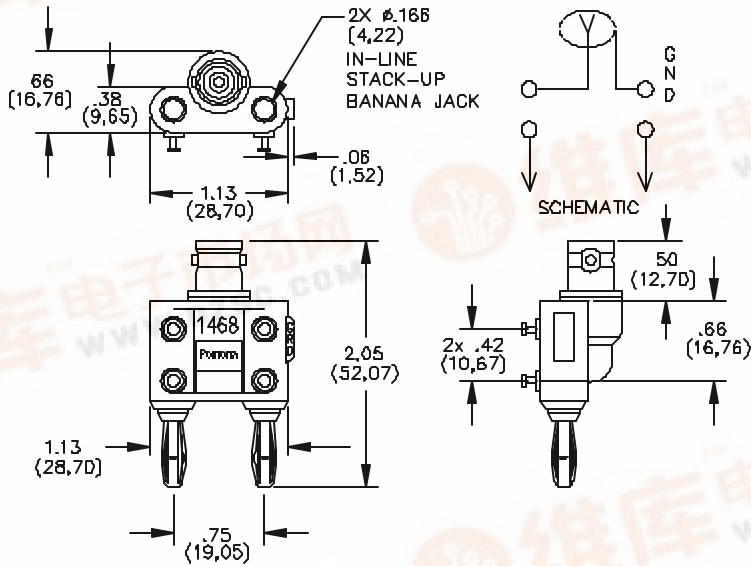


Model 1468
Isolation Adapter BNC (F) To Double
Banana Plug With Solder Turret Terminals



FEATURES:

- Permits BNC male to be used with equipment having double banana jacks.
- Provides isolation for a four-terminal network.
- Excellent for matching pad networks.
- Bright tin plated solder turret terminals for permanent noise-free connections.

MATERIALS:

Upper Conn: BNC Female

Finish: Body and Fittings – Tarnish resistant.

Nominal Impedance: 50 Ohms.

Center Contact – Gold plated per requirements of MIL-C-39012.

Insulation: Polypropylene molded to BNC Female and banana plug bodies.

Color: Black.

Marking: “1468 POMONA”

Lower Conn: Double Banana Plug

Material: Spring – Beryllium Copper per QQ-C-533, Alloy 172, Cond. HT.

Plug Body: Brass per QQ-B-626, Alloy 360, ½ Hard.

Finish: Nickel Plated per QQ-N-290, Class 2, 200/300 microinches.

Terminals:

Material: Brass per QQ-B-626, Alloy 360, ½ Hard.

Finish: Bright tin plated per MIL-T-10727, Type 1, 100/250 microinches.

RATINGS:

Operating Temperature: +55° C. (+131° F.) Max.

Operating Voltage: Hand-held Testing: 30VAC/60VDC Max.

Hands Free Testing in controlled Voltage Environments: 500 VRMS Max.

ORDERING INFORMATION: Model 1468

All dimensions are in inches and metric. All specifications are to the latest revisions. Specifications are subject to change without notice.
 Registered trademarks are the property of their respective companies. Made in USA

Sales: 800-490-2361 Fax: 888-403-3360
 Technical Assistance: 800-241-2060

PomonaACCESS 90546 (800) 444-6785 or (425) 446-6010
 More drawings available at www.pomonaelectronics.com

