



## Series 805 "Mighty Mouse" Triple-Start

### Series 805 Plug Connectors



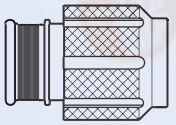
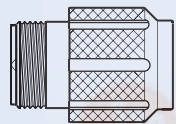
**Two Shell Styles:** Integral platform for direct shield attachment using BAND-IT® termination system, or accessory thread for attaching a strain relief.

**EMI Ground Spring** provides low shell-to-shell resistance. This nickel-plated beryllium copper serpentine spring enables the Series 805 to meet greater than 60 dB shielding effectiveness from 100 MHz. to 15 GHz.

**Ratchet Mechanism for Secure Coupling:** Series 805 connectors feature a spring mechanism in the coupling nut that locks into radial teeth on the plug barrel. This feature allows the Series 805 to stay mated even when under high vibration, without the need for safety wire or torque tools.

#### HOW TO ORDER

##### Sample Part Number

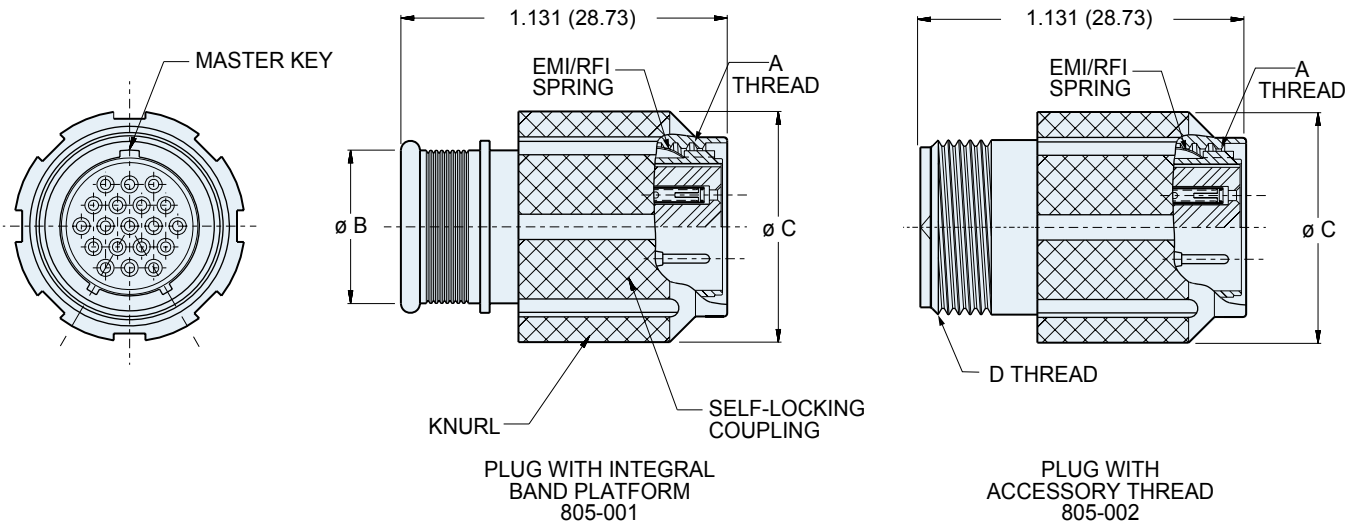
805-002	-16	M	8-4	P	A
Series	Shell Style	Shell Material / Finish	Shell Size- Insert Arrangement	Contact Type	Shell Key Position
 <b>805-001</b> Plug with Banding Platform	<b>-16</b> Plug Connector with Ratcheting Anti-Decoupling Mechanism	<b>C</b> Aluminum / Black Anodize	<b>8-1</b> 1 #16 Contact <b>8-4</b> 4 #23 Contacts <b>8-7</b> 7 #23 Contacts <b>9-1</b> 1 #12 Contact <b>9-10</b> 10 #23 Contacts <b>10-13</b> 13 #23 Contacts <b>11-4</b> 4 #16 Contacts <b>11-19</b> 19 #23 Contacts <b>12-26</b> 26 #23 Contacts <b>15-2</b> 2 #12 Contacts <b>15-37</b> 37 #23 Contacts <b>18-55</b> 55 #23 Contacts <b>19-85</b> 85 #23 Contacts	Standard #23 contacts accept #22 through #28 AWG wire. Use the following contact codes to specify these contacts:  <b>P</b> Pin  <b>S</b> Socket  Special contacts for #26 to #30 AWG are also available. Use the following contact codes to specify these contacts:  <b>G</b> Pin  <b>H</b> Socket	<b>A</b> Position A (Normal)  <b>B</b> Position B  <b>C</b> Position C  <b>D</b> Position D
		<b>M</b> Aluminum / Electroless Nickel  <b>NF</b> Aluminum / Cadmium with Olive Drab Chromate  <b>ZN</b> Aluminum / Zinc-Nickel with Olive Drab Chromate  <b>ZNU</b> Aluminum / Zinc-Nickel with Black Chromate  <b>Z1</b> Stainless Steel / Passivated	Size #23 contacts are supplied with connectors. Other contact sizes are ordered separately.		
 <b>805-002</b> Plug with Accessory Thread					



Series 805 "Mighty Mouse"  
Triple-Start



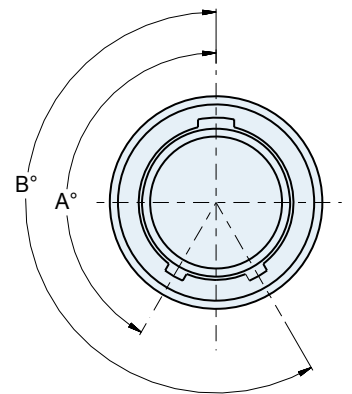
Series 805 Plug Connectors



DIMENSIONS

Shell Size	A Threads	Ø B		Ø C Max.		D Threads Accessory
		In.	mm.	In.	mm.	
8	.5000-1P-.3L-TS-2B	.317	8.05	.691	17.55	.3750-32 UNEF-2A
9	.5625-1P-.3L-TS-2B	.397	10.08	.787	19.99	.4375-28 UNEF-2A
10	.6250-1P-.3L-TS-2B	.473	12.01	.826	20.98	.5000-28 UNEF-2A
11	.6875-1P-.3L-TS-2B	.519	13.18	.916	23.27	.5625-24 UNEF-2A
12	.7500-1P-.3L-TS-2B	.585	14.86	.982	24.94	.6250-24 UNEF-2A
15	.9375-1P-.3L-TS-2B	.687	17.45	1.097	27.86	.7500-20 UNEF-2A
18	1.1250-1P-.3L-TS-2B	.884	22.45	1.290	32.77	.9375-20 UNEF-2A
19	1.1875-1P-.3L-TS-2B	.884	22.45	1.310	33.27	.9375-20 UNEF-2A

SERIES 805 KEY POSITIONS



PERFORMANCE SPECIFICATIONS

DWV	500 VAC Sea level
Insulation Resistance	5000 Megohms Minimum
Contact Resistance	8 Milliohms Maximum
Operating Temperature	-55° C. to +150° C.
Immersion	MIL-STD-810 Method 512. One Meter for One Hour.
EMI	60 dB Minimum from 100 MHz. to 10 GHz.

MATERIALS AND FINISHES

Connector Shell	Aluminum or Stainless Steel
Insulator	Liquid Crystal Polymer (LCP)
Seals	Fluorosilicone Rubber, Blue
Pin Contact	Beryllium Copper, Gold over Nickel Plating
Socket Contact	Beryllium Copper, Gold over Nickel Plating, with SST Hood
Contact Retainer Clip	Beryllium Copper, Unplated

Key Rotation

Key Position	A	B
Normal (A)	150°	210°
B	75°	210°
C	95°	230°
D	140°	275°

**This datasheet has been downloaded from:**

**[www.EEworld.com.cn](http://www.EEworld.com.cn)**

**Free Download**

**Daily Updated Database**

**100% Free Datasheet Search Site**

**100% Free IC Replacement Search Site**

**Convenient Electronic Dictionary**

**Fast Search System**

**[www.EEworld.com.cn](http://www.EEworld.com.cn)**