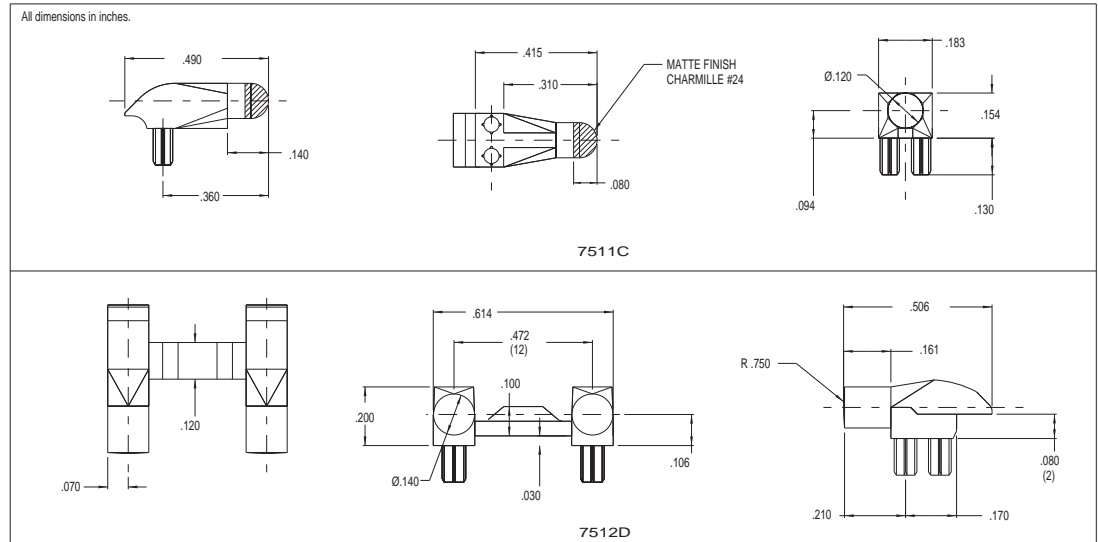


147 Central Avenue
 Hackensack, New Jersey 07601
 Tel: 201-489-8989 • Fax: 201-489-6911



CHICAGO MINIATURE LAMP, INC.
 WHERE INNOVATION COMES TO LIGHT

7511C & 7512D Series Bright★ Pipes™ Optical Lightpipes
DESCRIPTION AND FEATURES



- Precision engineered with **ray tracing** for bright, optically precise even indication and attractive appearance.
- ESD protection from circuitry for exceptional reliability.
- High contrast and wide viewing angle for greater visibility.
- Available in a variety of colors for added contrast and aesthetics.
- Parts inserted after reflow to permit LED pad inspection before assembly.
- Compliance to UL94V-0
- Low profile for height constrained applications.
- Large lens provides high visibility.
- 7511C features 3mm dome and is designed for use with 7012X Bright★Chips™ SMT LEDs.
- 7512D is designed for use with 67-21 and 67-22 Bright Chip LEDs.

Mounting hole pattern on page 1-X4.

| MODEL | OUTPUT COLOR |
|--------|--------------|
| 7511C5 | GREEN |
| 7511C1 | RED |
| 7511C7 | YELLOW |
| 7511C2 | CLEAR |
| 7512D1 | RED |
| 7512D2 | CLEAR |
| 7512D5 | GREEN |
| 7512D7 | YELLOW |