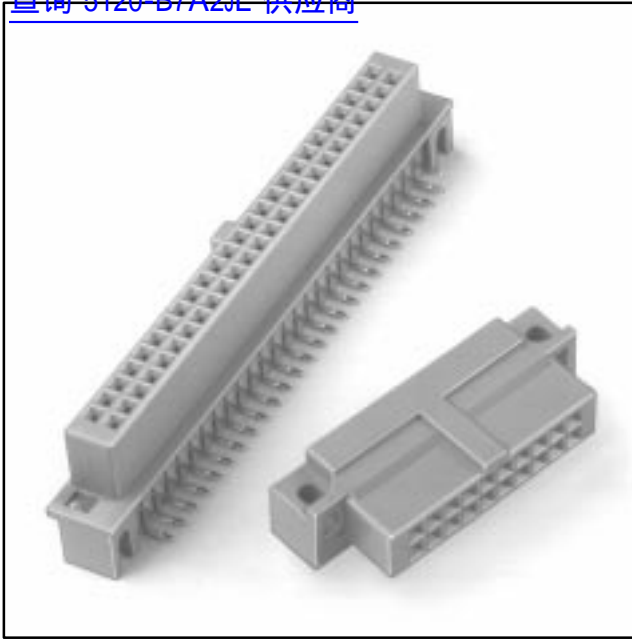


.100" × .100" Polarized Boardmount Socket

Centerbump Polarization with Right Angle Solder Tails

5100 Series

[查询"5120-B7A2JL"供应商](#)



- Centerbump polarization
- Mates with standard low profile shrouded headers
- Part number on each piece
- Optional keying plug
- Eight popular positions
- Mounting flanges

Date Modified: February 19, 1999

TS-0414-08
Sheet 1 of 2

85

Physical

Insulation

Material: Glass Filled Polyester (PBT)
Flammability: UL 94V-0
Color: Gray

Contact

Material: Copper Alloy
Plating
Underplating & U-Slot: 2 μm [79 μm] Nickel — QQ-N-290, Class 2
Wiping Area: 0.3 μm [12 μm] Gold — MIL-G-45204, Type II, Grade C
Solder Tails: Tin Lead — MIL-P-81728
Marking: 3M Logo, Part Identification Number and Orientation Triangle

Electrical

Current Rating: 1 A
Insulation Resistance: $> 1 \times 10^9 \Omega$ at 500 Vdc
Withstanding Voltage: 1000 Vrms at Sea Level

Environmental

Temperature Rating: -55°C to 105°C

UL File No.: E68080

3M Interconnect Solutions Division

6801 River Place Blvd.
Austin, TX 78726-9000

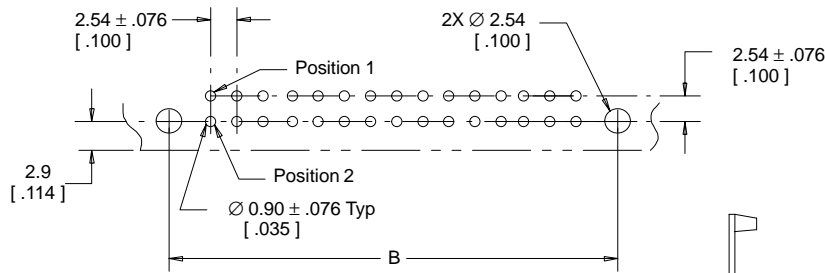
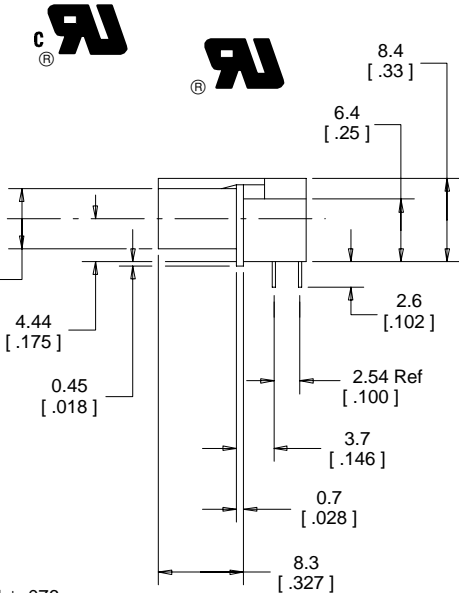
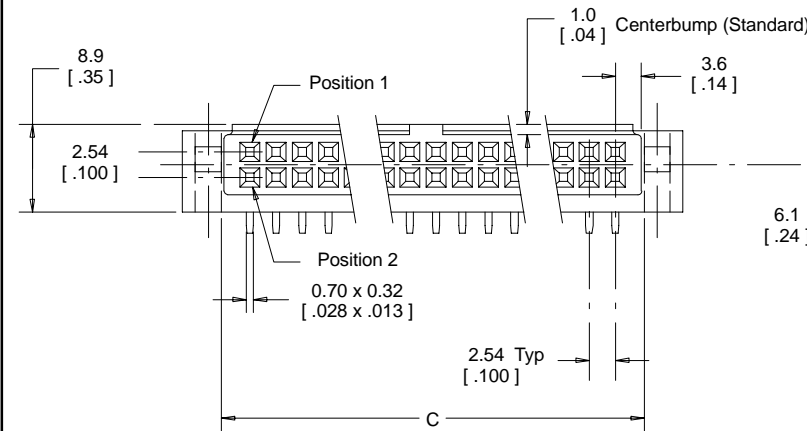
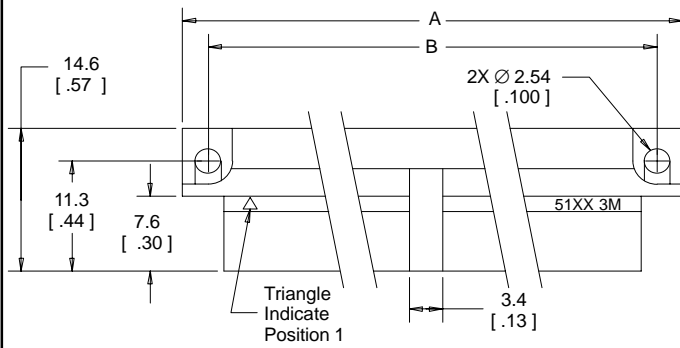
For technical, sales or ordering information call
800-225-5373

.100" × .100" Polarized Boardmount Socket Centerbump Polarization with Right Angle Solder Tails

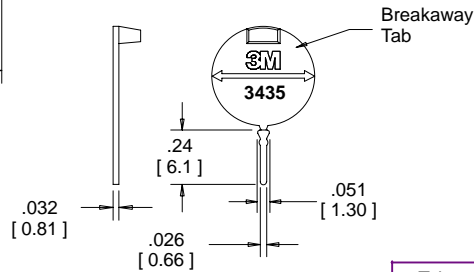
5100 Series

[查询"5120-B7A2JL"供应商](#)

Contact Quantity	Dimensions		
	A	B	C
20	38.1 [1.50]	33.0 [1.30]	30.0 [1.18]
26	45.7 [1.80]	40.6 [1.60]	37.6 [1.48]
30	50.8 [2.00]	45.7 [1.80]	42.7 [1.68]
34	55.9 [2.20]	50.8 [2.00]	47.7 [1.88]
40	63.5 [2.50]	58.4 [2.30]	55.4 [2.18]
50	76.2 [3.00]	71.1 [2.80]	68.1 [2.68]
60	88.9 [3.50]	83.8 [3.30]	80.8 [3.18]
64	93.9 [3.70]	88.9 [3.50]	85.8 [3.38]



Recommended Mounting Hole Pattern
(Shown for top side of PC board)



Tolerance Unless Noted		
	.0	.00
mm	±.3	±.15

[] Dimensions for Reference only

Note:

1. Recommended to be mated to the .100" x .100" low profile header and the 4600 series plug connector. note the ejector latches cannot be used with the 4600 series plug.

Ordering Information

Sockets
51XX-B7A2JL

Contact Quantity:
See Table

TS-0414-08
Sheet 2 of 2

3M Interconnect Solutions Division

6801 River Place Blvd.
Austin, TX 78726-9000

For technical, sales or ordering information call
800-225-5373