

查询"5511MGRNREDGRN"供应商 SERIES **5500** SWITCHES

PUSHBUTTON SWITCHES



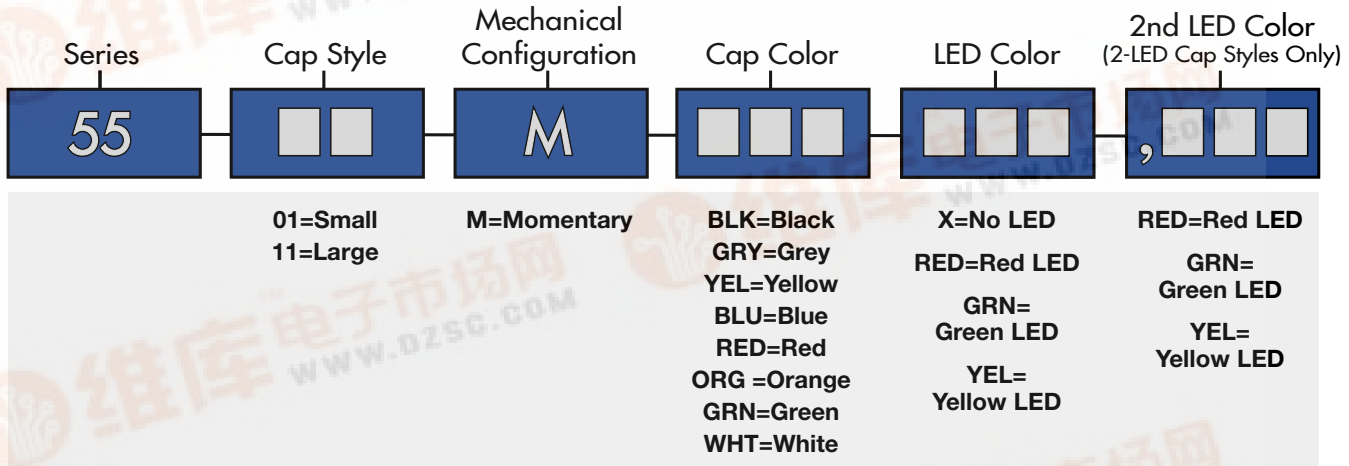
SPECIFICATIONS

Ratings: 50mA @ 12 VDC
 Electrical Life: 500,000 cycles typical
 Contact Resistance: 10mΩ max. typical @ 2-4 VDC, 100mA
 Insulation Resistance: 1,000 MΩ min.
 Dielectric Strength: >1,000 V rms at sea level
 Operating Force: 250 ± 50 gf

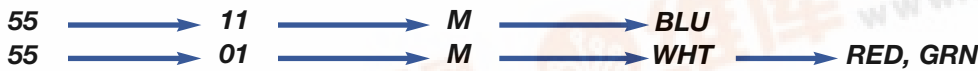
MATERIALS

Housing: 6/6 Nylon
 Cap: ABS
 Contacts: Gold over nickel over copper alloy
 Terminals: Gold over nickel over copper alloy

HOW TO ORDER



EXAMPLE



SPECIFICATIONS SUBJECT TO CHANGE WITHOUT NOTICE.

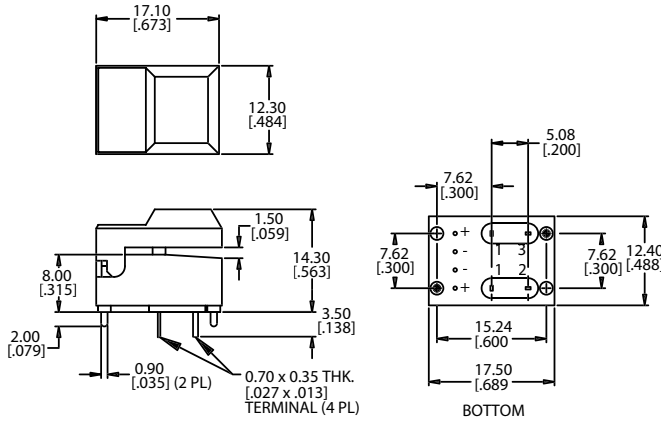


查询"5511MGRNREDGRN"供应商 SERIES **5500** SWITCHES

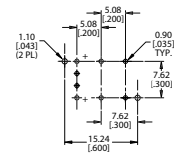
PUSHBUTTON SWITCHES



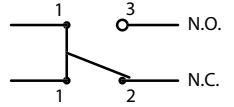
5501



P.C. MOUNTING

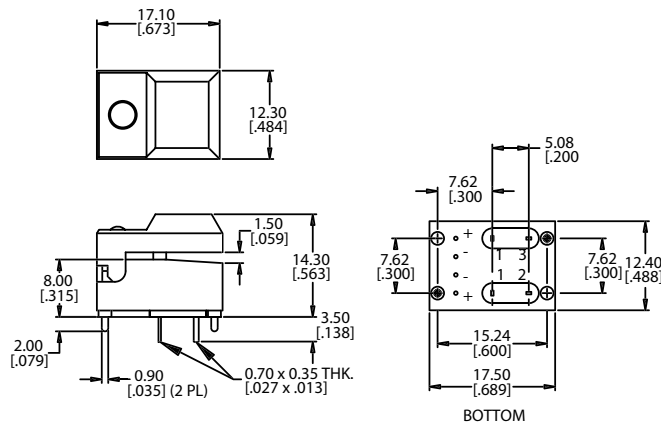


Schematic

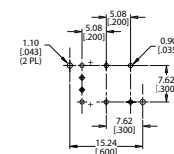


5501

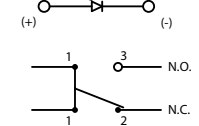
1 LEDS



P.C. MOUNTING

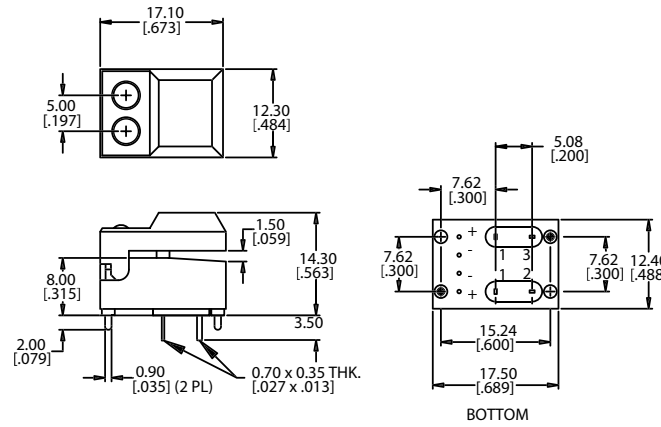


Schematic

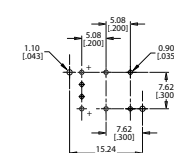


5501

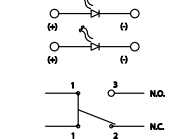
2 LEDS



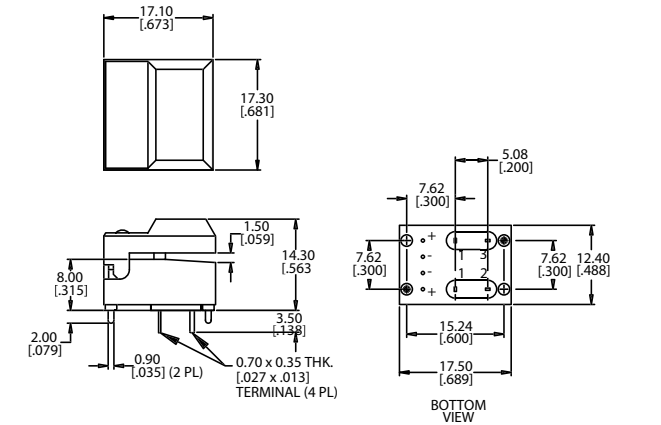
P.C. MOUNTING



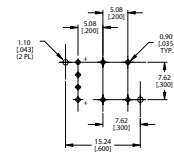
Schematic



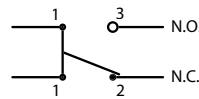
5511



P.C. MOUNTING



Schematic



SPECIFICATIONS SUBJECT TO CHANGE WITHOUT NOTICE.

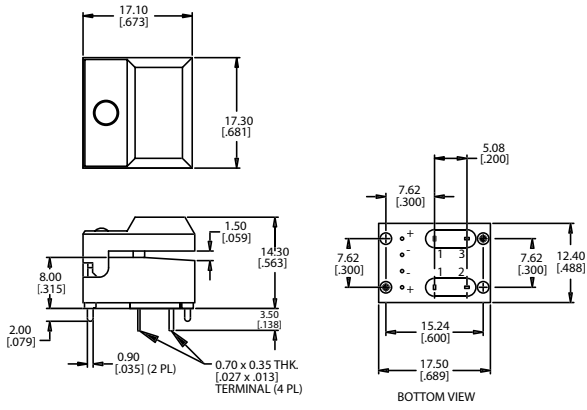
查询"5511MGRNREDGRN"供应商 SERIES **5500** SWITCHES

PUSHBUTTON SWITCHES

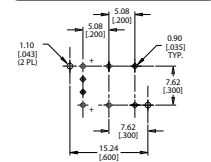


5511

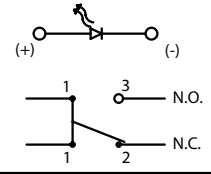
1 LED



P.C. MOUNTING

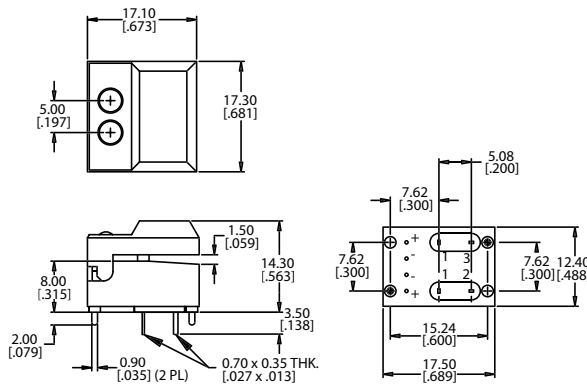


Schematic

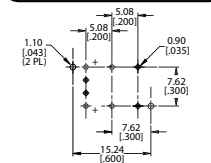


5511

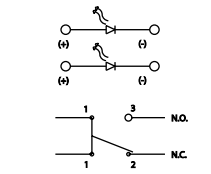
2 LEDS



P.C. MOUNTING



Schematic



SPECIFICATIONS SUBJECT TO CHANGE WITHOUT NOTICE.