

# MODEL 44

4mm Square Multiturn  
查询"44IR10K1ET12"供应商

## Surface Mount Cermet Trimming Potentiometer



1

### ELECTRICAL

|  |  |
|--|--|
| Standard Resistance Range, Ohms          | 10 to 2Meg                                     |
| Standard Resistance Tolerance            | ±10% (<100 Ohms = ±20%)                        |
| Input Voltage, Maximum                   | 300 Vdc or rms not to exceed power rating      |
| Slider Current, Maximum                  | 100mA or within rated power, whichever is less |
| Power Rating, Watts                      | 0.25 at 85°C derating to 0 at 150°C            |
| End Resistance, Maximum                  | 1% or 2 Ohms, whichever is greater             |
| Actual Electrical Travel, Turns, Nominal | 9  |
| Dielectric Strength                      | 600Vrms  |
| Insulation Resistance, Minimum           | 1,000 Megohms                                  |
| Resolution                               | Essentially infinite                           |
| Contact Resistance Variation, Maximum    | 1% or 3 Ohms, whichever is greater             |

### ENVIRONMENTAL

|                                  |   |
|----------------------------------|---|
| Seal                             | 85°C Fluorinert® (No Leaks)                     |
| Temperature Coefficient, Maximum | ±100ppm/°C (<100 Ohms = ±250ppm/°C)             |
| Operating Temperature Range      | -65°C to +150°C                                 |
| Thermal Shock                    | 5 cycles, -65°C to +150°C (2% ΔRT, 1% ΔVR)      |
| Moisture Resistance              | Ten 24 hour cycles (2% ΔRT, IR 10 Megohms Min.) |
| Shock, 6ms Sawtooth              | 100G's (1% ΔRT, 1% ΔVR)                         |
| Vibration                        | 20G's, 10 to 2,000 Hz (1% ΔRT, 1% ΔVR)          |
| Rotational Life                  | 200 cycles (3% ΔRT, 1% CRV)                     |
| Load Life at 0.25 Watts          | 1,000 hours at 85°C (2% ΔRT, 1% CRV)            |
| Resistance to Solder Heat        | 260°C for 10 sec. (1% ΔRT)                      |
| Temperature Exposure, Maximum    | 215°C for 3 min. (1% ΔRT)                       |
| Solderability                    | Per MIL-STD-202, Method 208                     |

### MECHANICAL

|                          |                          |
|--------------------------|--------------------------|
| Mechanical Stops         | Clutch action, both ends |
| Torque, Starting Maximum | 3 oz.-in. (0.021 N-m)    |
| Weight, Nominal          | .01 oz. (0.3 grams)      |

Fluorinert® is a registered trademark of 3M Company.  
Specifications subject to change without notice.



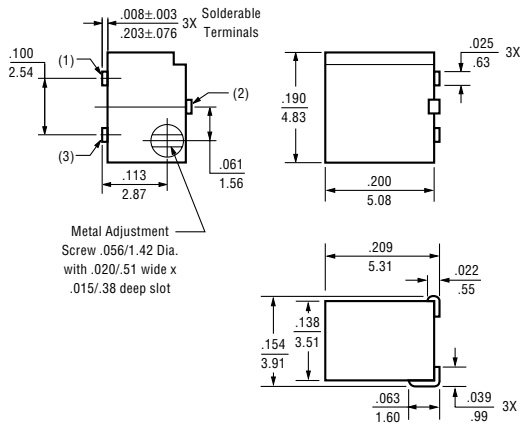
1-21

Model 44



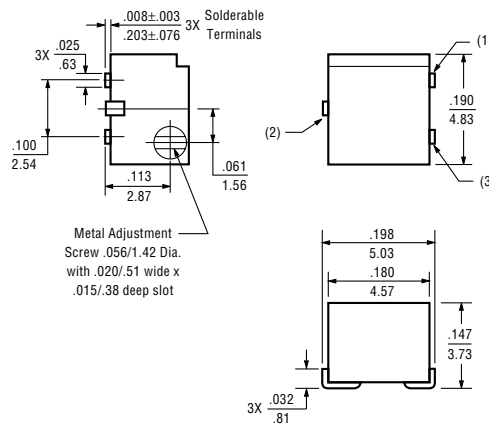
**TOP ADJUSTMENT (Inch/mm)**

Model 44J [查询"44JR10KLFT13"供应商](#)



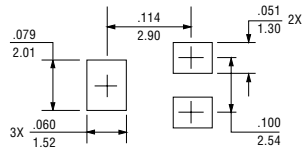
**SIDE ADJUSTMENT (Inch/mm)**

Model 44J

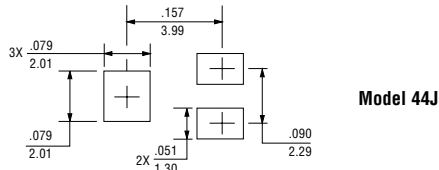


**SOLDER PAD LAYOUT (Inch/mm)**

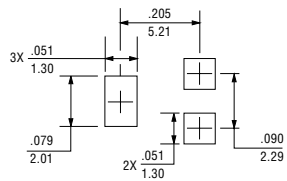
Model 44W



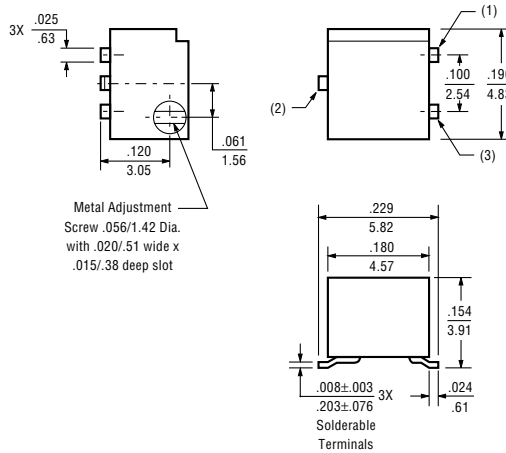
Model 44J



Model 44G



Model 44G



**STANDARD RESISTANCE VALUES, OHMS**

|    |     |    |     |      |      |      |
|----|-----|----|-----|------|------|------|
| 10 | 100 | 1K | 10K | 50K  | 250K | 2Meg |
| 20 | 200 | 2K | 20K | 100K | 500K |      |
| 50 | 500 | 5K | 25K | 200K | 1Meg |      |

## FEATURES AND BENEFITS

- Space saving SMD design for the most compact board designs
- Sealed to withstand aggressive water wash
- Long life - set and forget construction
- BI quality and reliability
- Available in top and side adjustment versions, J-Hook or gull wing termination

1

## PACKAGING

### Standard: Embossed Tape & Reel

All units oriented with #1 pin to the right of the direction of feed.

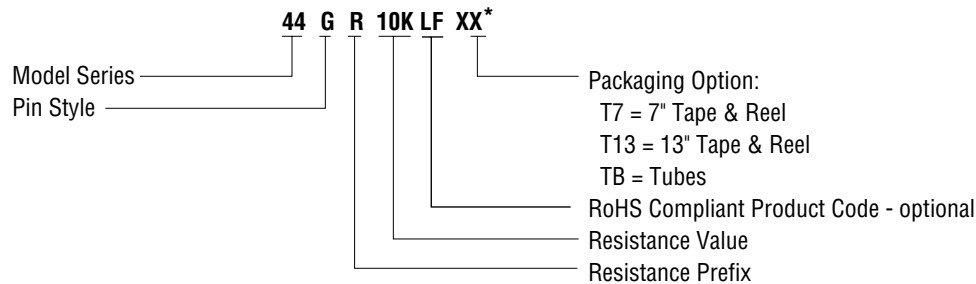
| Tape          | Pin Style | 13" Reel       |             | 7" Reel     |            |
|---------------|-----------|----------------|-------------|-------------|------------|
|               |           | G & J          | W           | G & J       | W          |
| Width         | =         | 12 mm          | 16 mm       | 12 mm       | 16 mm      |
| Sprocket      | =         | 4 mm Pitch     | 4 mm Pitch  | 4 mm Pitch  | 4 mm Pitch |
| Capacity      | =         | 1,000 Units    | 1,000 Units | 500 Units   | 250 Units  |
| Reel Diameter | =         | 13" (330.2 mm) |             | 7" (178 mm) |            |

### Option: Anti-Static Tubes

All units oriented with #1 pin to same side.

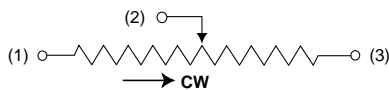
Magazine Capacity = 100 Units

## ORDERING INFORMATION



\* Packaging option must be specified.

## CIRCUIT DIAGRAM



## NOTES

Metric equivalents, based on 1 inch = 25.4mm are rounded to the same number of significant figures as in the original English units and are provided for general information only.

Tolerances unless otherwise specified:  
 Linear = ± .012 inches (.30mm)  
 Angular = ± 2 degrees

