

**molex® 2.54mm (.100") Pitch  
KK®  
PC Board Connector**

**4455  
With Cat Ear Terminals**

**FEATURES AND SPECIFICATIONS**

These assemblies are the same as 4455A, B and C versions, except these have higher pressure cat ear contacts on the Bronze terminals.

**Reference Information**

Product Specification: PS-10-07  
Packaging: Tray  
UL File No.: E29179  
CSA File No.: LR19980  
Mates With: 4030, 4094, 70021 and 70475  
Designed In: Inches

**Electrical**

Voltage: 250V  
Current: 2.5A  
Contact Resistance: 20mΩ max.  
Dielectric Withstanding Voltage: 1500V  
Insulation Resistance: 500K MΩ min.

**Mechanical**

Contact Retention to Housing: 27.21g min.  
Mating Force: 199g max.  
Unmating Force: 57g min.  
Normal Force: 300g  
Durability: 25 cycles

**Physical**

Housing: Nylon, UL 94V-0  
Contact: Phosphor Bronze  
Plating: Hot Tin/Lead dip—1μm min.  
Temperature: 0 to +75°C

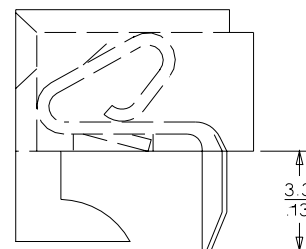
**ORDERING INFORMATION**

Circuits	Order No.
2	38-00-1332
3	38-00-1333
4	38-00-1334
5	38-00-1335
6	38-00-1336
7	38-00-1337
8	38-00-1338
9	38-00-1339
10	38-00-1340
11	38-00-1341
12	38-00-1342
13	38-00-1343

Circuits	Order No.
14	38-00-1344
15	38-00-1345
16	38-00-1346
17	38-00-1347
18	38-00-1348
19	38-00-1349
20	38-00-1350
21	38-00-1351
22	38-00-1352
23	38-00-1353
24	38-00-1354
25	38-00-1355

*Preferred Version in Europe and the Far East*

**Right Angle**



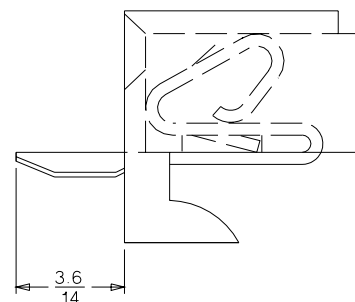
**ORDERING INFORMATION**

Circuits	Order No.
2	38-00-1392
3	38-00-1393
4	38-00-1394
5	38-00-1395
6	38-00-1396
7	38-00-1397
8	38-00-1398
9	38-00-1399
10	38-00-1400
11	38-00-1401
12	38-00-1402
13	38-00-1403
14	38-00-1404

Circuits	Order No.
15	38-00-1405
16	38-00-1406
17	38-00-1407
18	38-00-1408
19	38-00-1409
20	38-00-1410
21	38-00-1411
22	38-00-1412
23	38-00-1413
24	38-00-1414
25	38-00-1415

*Preferred Version in Europe and the Far East*

**Bottom Entry**



**ORDERING INFORMATION**

Circuits	Order No.
2	38-00-1422
3	38-00-1423
4	38-00-1424
5	38-00-1425
6	38-00-1426
7	38-00-1427
8	38-00-1428
9	38-00-1429
10	38-00-1430
11	38-00-1431
12	38-00-1432
13	38-00-1433

Circuits	Order No.
14	38-00-1434
15	38-00-1435
16	38-00-1436
17	38-00-1437
18	38-00-1438
19	38-00-1439
20	38-00-1440
21	38-00-1441
22	38-00-1442
23	38-00-1443
24	38-00-1444
25	38-00-1445

*Preferred Version in Europe and the Far East*

**Top Entry**

