

## FEATURES AND SPECIFICATIONS

[查询"39100-1011"供应商](#)

### *Eurostyle Two-Screw Terminal Strips are available in a wide variety of pitch spacings*

The Eurostyle Two-Screw Terminal Strips from Molex allow customers to pick from a variety of pitch sizes in either a standard or low-profile version, to ensure the best fit for their design requirements. The low-profile blocks are rated at 300V, while the standard-profile blocks are rated at 600V. Amperages range from 20.0 to 63.0A depending on the particular pitch space chosen.

All Two-Screw terminal strips meet applicable industry standards and have a flammability rating of UL 94V-2. In addition, they are designed with wire protectors to prevent wire damage and to ensure a reliable connection. Pre-drilled mounting holes allow for quick and easy installation in the field. Two and three circuit jumpers are also available.

### *Features and Benefits*

- Modular design allows larger blocks to be easily cut into smaller circuit sizes
- Contacts and screws are recessed within the housing to help prevent short circuits
- Wire protectors prevent stranded wire damage during connection
- Range of pitch spacing, wire ranges and electrical ratings provides the customer with design flexibility to choose the block that best fits the requirements
- Easy installation saves time and money



**8.00mm (.315") Pitch**  
**10.00mm (.394") Pitch**  
**12.00mm (.472") Pitch**  
**15.00mm (.591") Pitch**  
**Eurostyle® Two-Screw Terminal Strip**

**39100**



## SPECIFICATIONS

### *Reference Information*

UL File No.: E48521  
Guide No.: XCFR2  
CSA: 025562

### *Electrical*

Voltage:  
39100-08XX, -09XX, -10XX, -11XX, -13XX: 300V  
39100-12XX, -15XX: 600V

Current:  
39100-08XX, -09XX: 20.0A  
39100-10XX, -11XX: 30.0A  
39100-12XX, -13XX: 40.0A  
39100-15XX: 63.0A

Contact Resistance: 0.1 milliohms  
Insulation Resistance: 5,000 Megohms min.

### *Mechanical*

Recommended Tightening Torque:  
39100-08XX, -09XX: 0.5Nm (4.4 in.-lbs.)  
39100-10XX, -11XX, -12XX, -13XX:  
0.8Nm (7.0 in.-lbs.)  
39100-15XX: 2.1Nm (18.5 in.-lbs.)

UL Flammability Rating: UL 94V-2

Wire Range:  
39100-08XX, -09XX: 12 to 22 AWG  
39100-10XX, -11XX: 10 to 18 AWG  
39100-12XX, -13XX: 8 to 20 AWG  
39100-15XX: 6 to 14 AWG

Insulation Temperature Resistance:  
Continuous — +100°C  
Short Term — +140°C

### *Physical*

Housing: Nylon, Polyamide 6/6  
Terminal: Brass  
Wire Protector: Stainless Steel  
Screw: Steel  
Plating:  
Terminal — Nickel  
Screw — Zinc



**APPLICATIONS**

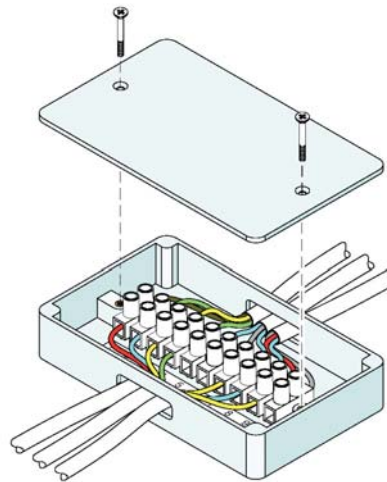


[查询"39100-1011"供应商](#)

- Power supplies
- Spa controllers
- HVAC equipment
- Motor controls
- Lighting controls

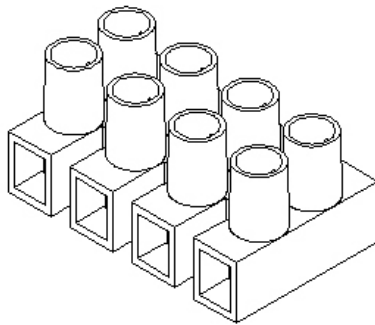
**8.00mm (.315") Pitch**  
**10.00mm (.394") Pitch**  
**12.00mm (.472") Pitch**  
**15.00mm (.591") Pitch**  
**Eurostyle® Two-Screw Terminal Strip**

**39100**

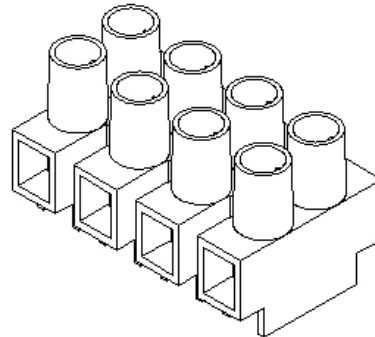


**Junction Box**

**ORDERING INFORMATION**



**Low-Profile Terminal Strip**



**Standard-Profile Terminal Strip**

Circuits	Order No.						
	8.00mm (.315") Pitch		10.00mm (.394") Pitch		12.00mm (.472") Pitch		15.00mm (.591") Pitch
	Low-Profile without Standoffs	Standard-Profile with Standoffs	Low-Profile without Standoffs	Standard-Profile with Standoffs	Low-Profile without Standoffs	Standard-Profile with Standoffs	Standard-Profile with Standoffs
2	39100-0902	39100-0802	39100-1102	39100-1002	39100-1302	39100-1202	39100-1502
3	39100-0903	39100-0803	39100-1103	39100-1003	39100-1303	39100-1203	39100-1503
4	39100-0904	39100-0804	39100-1104	39100-1004	39100-1304	39100-1204	39100-1504
5	39100-0905	39100-0805	39100-1105	39100-1005	39100-1305	39100-1205	39100-1505
6	39100-0906	39100-0806	39100-1106	39100-1006	39100-1306	39100-1206	39100-1506
7	39100-0907	39100-0807	39100-1107	39100-1007	39100-1307	39100-1207	39100-1507
8	39100-0908	39100-0808	39100-1108	39100-1008	39100-1308	39100-1208	39100-1508
9	39100-0909	39100-0809	39100-1109	39100-1009	39100-1309	39100-1209	39100-1509
10	39100-0910	39100-0810	39100-1110	39100-1010	39100-1310	39100-1210	39100-1510
11	39100-0911	39100-0811	39100-1111	39100-1011	39100-1311	39100-1211	39100-1511
12	39100-0912	39100-0812	39100-1112	39100-1012	39100-1312	39100-1212	39100-1512
<b>Jumper Circuits</b>							
Circuits	8.00mm (.315") Pitch		10.00mm (.394") Pitch		12.00mm (.472") Pitch		15.00mm (.591") Pitch
2	38002-1730		38002-1732		38002-1734		38002-1736
3	38002-1731		38002-1733		38002-1735		N/A

**Americas Headquarters**  
 Lisle, Illinois 60532 U.S.A.  
 1-800-78MOLEX  
 amerinfo@molex.com

**Far East North Headquarters**  
 Yamato, Kanagawa, Japan  
 81-462-65-2324  
 feninfo@molex.com

**Far East South Headquarters**  
 Jurong, Singapore  
 65-6-268-6868  
 fesinfo@molex.com

**European Headquarters**  
 Munich, Germany  
 49-89-413092-0  
 eurinfo@molex.com

**Corporate Headquarters**  
 2222 Wellington Ct.  
 Lisle, IL 60532 U.S.A.  
 630-969-4550  
 Fax:630-969-1352

Visit our Web site at <http://www.molex.com/product/tblocks.html>