

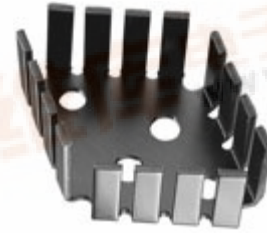
[查询"501403B00100"供应商](#)



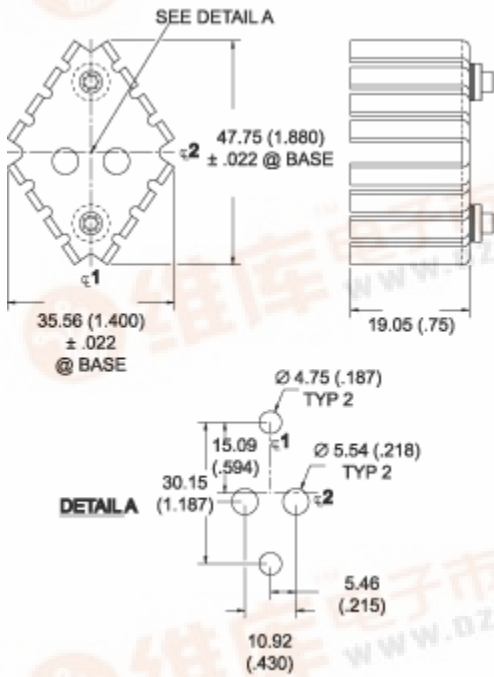
For use with TO-3 packages

501403b00100

VIS#001147



Mechanical Outline Drawing



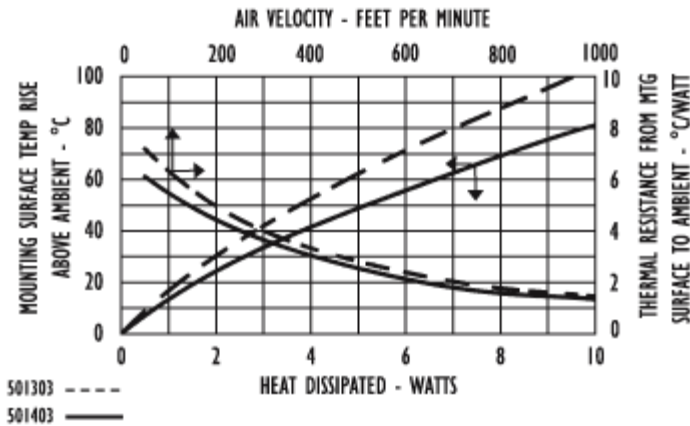
A Dim 19.05 (.750)

Thermal Resistance	10.0
--------------------	------

Thermal resistance value is based on a 75°C rise in natural convection



[Thermal Curves](#) 501403b00100 供应商



Product Information

12 Digit Part #	Description	Finish	Board Mounting
501403b00100	For horizontal mounting with solderable mountings	Black Anodize	<a href="#">View Hole Dimensions</a>

Not Exactly what you need?

We offer several options for those applications which require a more unique solution. For slight modifications of this part or other attachment options, finishes, and interface materials, contact your [local representative](#). Challenge us with your thermal requirements - we can design custom solutions.

For technical help with our Standard Products, please call (603) 223-1921, or contact your local Manufacturer's Rep  
 Email: [info@aavid.com](mailto:info@aavid.com)

Visit us at [www.aavidthermalloy.com](http://www.aavidthermalloy.com) • ©2002 Aavid Thermalloy, LLC