

Series 805 Receptacles



**Series 805 Triple-Start
Jam Nut Connector**

Three Shell Mounting Options:

Jam nut with o-ring for rear panel mounting, square flange for front or rear panel mounting, or in-line receptacles for free-hanging cables.

Two Shell Styles: Choose *integral band platform* for direct attachment of a cable shield. Install a boot, or overmold a boot over the band platform.

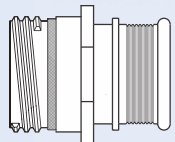
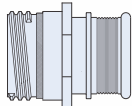
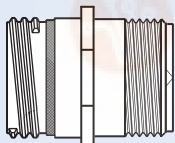
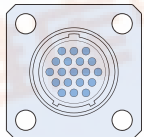
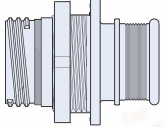
An *accessory thread* is available for attaching strain reliefs and backshells.

Gold-Plated Crimp Contacts

are held in place with beryllium copper retention clips. Contacts are removable.

HOW TO ORDER

Sample Part Number

805-004	-02	NF	9-10	P	A
Series	Shell Style	Shell Material / Finish	Shell Size- Insert Arrangement	Contact Type	Shell Key Position
 <p>805-003 Receptacle with Banding Platform</p>	 <p>-01 In-Line</p>	<p>C Aluminum / Black Anodize</p> <p>M Aluminum / Electroless Nickel</p> <p>NF Aluminum / Cadmium with Olive Drab Chromate</p> <p>ZN Aluminum / Zinc-Nickel with Olive Drab Chromate</p> <p>ZNU Aluminum / Zinc-Nickel with Black Chromate</p> <p>Z1 Stainless Steel / Passivated</p>	<p>8-1 1 #16 Contact 8-4 4 #23 Contacts 8-7 7 #23 Contacts 9-1 1 #12 Contact 9-10 10 #23 Contacts 10-13 13 #23 Contacts 11-4 4 #16 Contacts 11-19 19 #23 Contacts 12-26 26 #23 Contacts 15-2 2 #12 Contacts 15-37 37 #23 Contacts 18-55 55 #23 Contacts 19-85 85 #23 Contacts</p> <p>Size #23 contacts are supplied with connectors. Other contact sizes are ordered separately.</p>	<p>Standard #23 contacts accept #22 through #28 AWG wire. Use the following contact codes to specify these contacts:</p> <p>P Pin</p> <p>S Socket</p> <p>Special contacts for #26 to #30 AWG are also available. Use the following contact codes to specify these contacts:</p> <p>G Pin</p> <p>H Socket</p>	<p>A Position A (Normal)</p> <p>B Position B</p> <p>C Position C</p> <p>D Position D</p>
 <p>805-004 Receptacle with Accessory Thread</p>	 <p>-02 Square Flange</p>  <p>-07 Jam Nut for Rear Panel Mounting</p>				

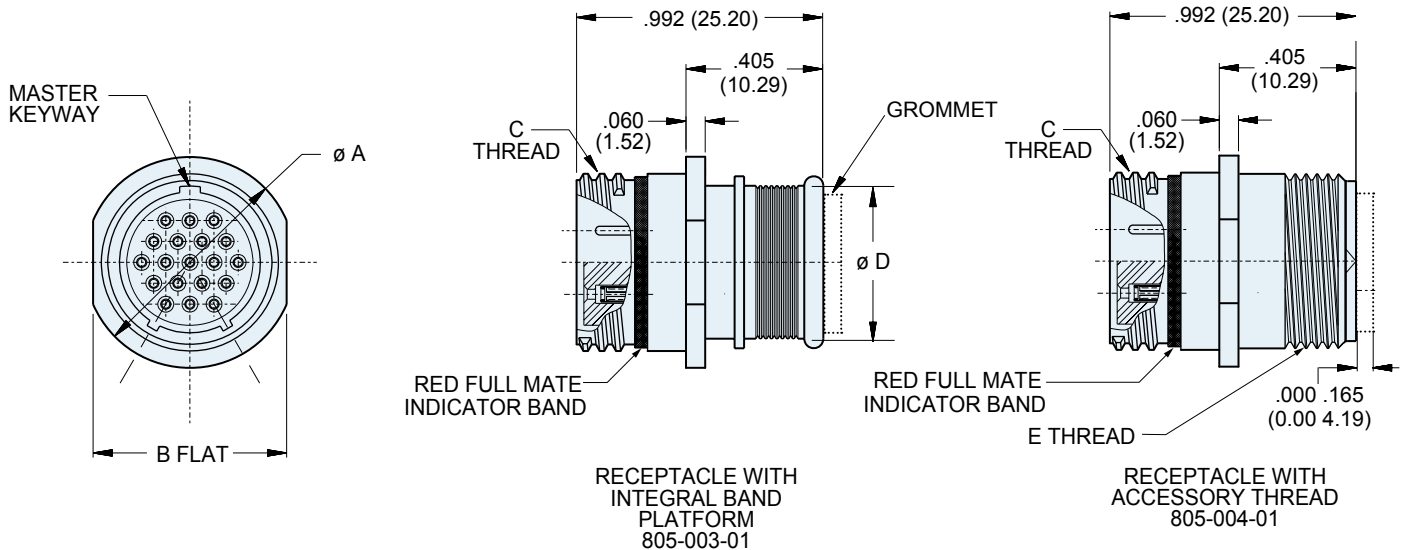
Series 805 "Mighty Mouse" Triple-Start

查询"805-004-02M10-13PA"供应商



Series 805

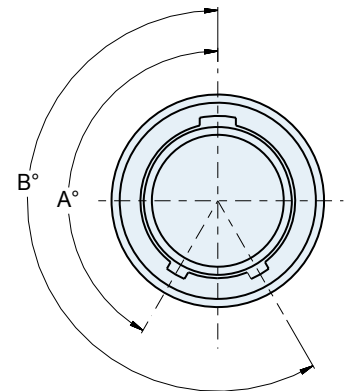
Series 805 In-Line Receptacles



DIMENSIONS

Shell Size	Ø A		B		C Threads	Ø D		E Threads Accessory
	In.	mm.	In.	mm.		In.	mm.	
8	.540	13.72	.510	12.95	.5000-.1P-.3L-TS-2A	.317	8.05	.3750-32 UNEF-2A
9	.605	15.37	.575	14.61	.5625-.1P-.3L-TS-2A	.397	10.08	.4375-28 UNEF-2A
10	.668	16.96	.638	16.21	.6250-.1P-.3L-TS-2A	.473	12.01	.5000-28 UNEF-2A
11	.730	18.54	.700	17.78	.6875-.1P-.3L-TS-2A	.519	13.18	.5625-24 UNEF-2A
12	.793	20.14	.763	19.38	.7500-.1P-.3L-TS-2A	.585	14.86	.6250-24 UNEF-2A
15	.980	24.89	.950	24.13	.9375-.1P-.3L-TS-2A	.687	17.45	.7500-20 UNEF-2A
18	1.165	29.59	1.135	28.83	1.1250-.1P-.3L-TS-2A	.884	22.45	.9375-20 UNEF-2A
19	1.235	31.37	1.205	30.61	1.1875-.1P-.3L-TS-2A	.884	22.45	.9375-20 UNEF-2A

SERIES 805 KEY POSITIONS



Key Rotation

Key Position	Key Rotation	
	A	B
Normal (A)	150°	210°
B	75°	210°
C	95°	230°
D	140°	275°

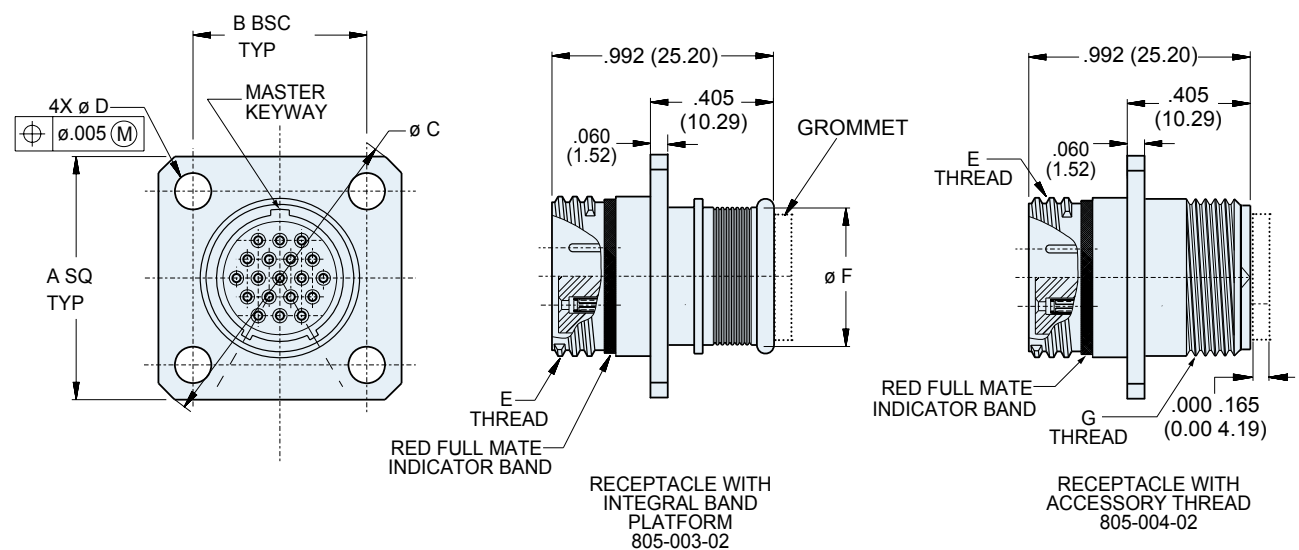
PERFORMANCE SPECIFICATIONS

DWV	500 VAC Sea level
Insulation Resistance	5000 Megohms Minimum
Contact Resistance	8 Milliohms Maximum
Operating Temperature	-55° C. to +150° C.
Immersion	MIL-STD-810 Method 512. One Meter for One Hour.
EMI	60 dB Minimum from 100 MHz. to 10 GHz.

MATERIALS AND FINISHES

Connector Shell	Aluminum or Stainless Steel
Insulator	Liquid Crystal Polymer (LCP)
Seals	Fluorosilicone Rubber, Blue
Pin Contact	Beryllium Copper, Gold over Nickel Plating
Socket Contact	Beryllium Copper, Gold over Nickel Plating, with SST Hood
Contact Retainer Clip	Beryllium Copper, Unplated

Series 805 Square Flange Receptacles



DIMENSIONS

Shell Size	A		B		øC		øD		E Threads	ø F		G Threads Accessory
	In.	mm.	In.	mm.	In.	mm.	In. ± .003	mm. ± .08		In.	mm.	
8	.850	21.59	.660	16.76	1.150	29.21	.094	2.39	.5000-1P-.3L-TS-2A	.317	8.05	.3750-32 UNEF-2A
9	.913	23.19	.723	18.36	1.230	31.24	.094	2.39	.5625-1P-.3L-TS-2A	.397	10.08	.4375-28 UNEF-2A
10	.975	24.77	.785	19.94	1.330	33.78	.094	2.39	.6250-1P-.3L-TS-2A	.473	12.01	.5000-28 UNEF-2A
11	1.039	26.39	.848	21.54	1.410	35.81	.094	2.39	.6875-1P-.3L-TS-2A	.519	13.18	.5625-24 UNEF-2A
12	1.099	27.91	.909	23.09	1.500	38.10	.094	2.39	.7500-1P-.3L-TS-2A	.585	14.86	.6250-24 UNEF-2A
15	1.288	32.74	1.058	26.87	1.750	44.45	.128	3.25	.9375-1P-.3L-TS-2A	.687	17.45	.7500-20 UNEF-2A
18	1.475	37.47	1.255	31.88	2.000	50.80	.128	3.25	1.1250-1P-.3L-TS-2A	.884	22.45	.9375-20 UNEF-2A
19	1.537	71.06	1.327	33.71	2.094	53.19	.128	3.25	1.1875-1P-.3L-TS-2A	.884	22.45	.9375-20 UNEF-2A

PERFORMANCE SPECIFICATIONS

DWV	500 VAC Sea level
Insulation Resistance	5000 Megohms Minimum
Contact Resistance	8 Milliohms Maximum
Operating Temperature	-55° C. to +150° C.
Immersion	MIL-STD-810 Method 512. One Meter for One Hour.
EMI	60 dB Minimum from 100 MHz. to 10 GHz.

MATERIALS AND FINISHES

Connector Shell	Aluminum or Stainless Steel
Insulator	Liquid Crystal Polymer (LCP)
Seals	Fluorosilicone Rubber, Blue
Pin Contact	Beryllium Copper, Gold over Nickel Plating
Socket Contact	Beryllium Copper, Gold over Nickel Plating, with SST Hood
Contact Retainer Clip	Beryllium Copper, Unplated

SERIES 805 KEY POSITIONS

Key Position	Key Rotation	
	A	B
Normal (A)	150°	210°
B	75°	210°
C	95°	230°
D	140°	275°

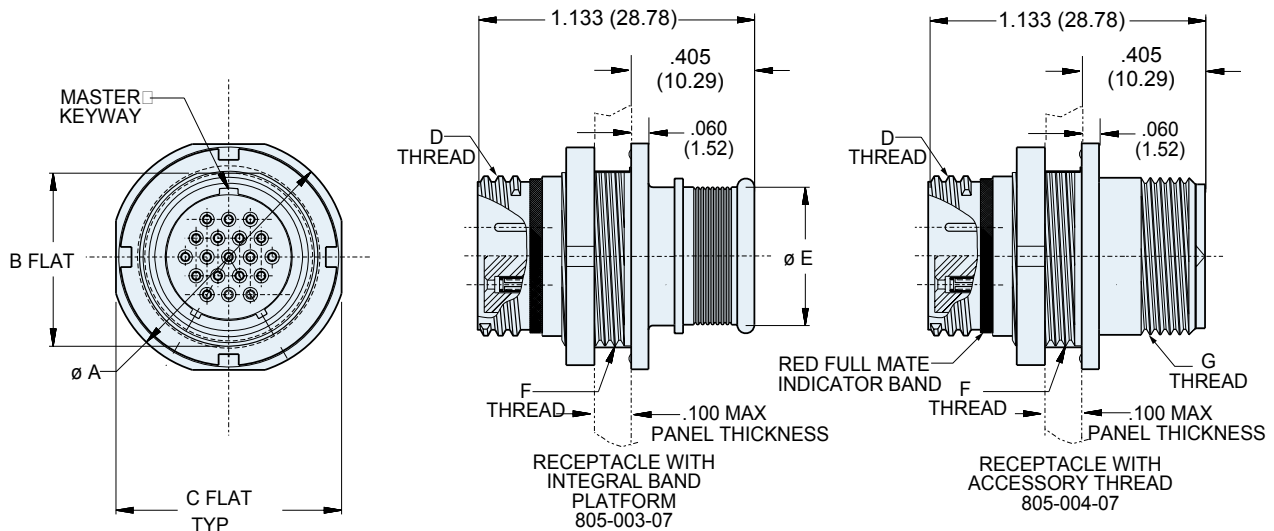
Series 805 "Mighty Mouse" Triple-Start

查询"805-004-02M10-13PA"供应商



Series 805

Series 805 Jam Nut Receptacles



DIMENSIONS

Shell Size	Ø A		B		C		D Threads	Ø E		F Threads	G Threads Accessory
	In.	mm.	In.	mm.	In.	mm.		In.	mm.		
8	.760	19.30	.535	13.59	.730	18.54	.5000-.1P-.3L-TS-2A	.317	8.05	.5625-28 UNEF-2A	.3750-32 UNEF-2A
9	.880	22.35	.661	16.79	.850	21.59	.5625-.1P-.3L-TS-2A	.397	10.08	.6875-28 UN-2A	.4375-28 UNEF-2A
10	.880	22.35	.661	16.79	.850	21.59	.6250-.1P-.3L-TS-2A	.473	12.01	.6875-28 UN-2A	.5000-28 UNEF-2A
11	.955	24.26	.721	18.31	.925	23.50	.6875-.1P-.3L-TS-2A	.519	13.18	.7500-28 UN-2A	.5625-24 UNEF-2A
12	1.060	26.92	.784	19.91	1.035	26.29	.7500-.1P-.3L-TS-2A	.585	14.86	.8125-28 UN-2A	.6250-24 UNEF-2A
15	1.203	30.56	.970	24.64	1.173	29.79	.9375-.1P-.3L-TS-2A	.687	17.45	1.0000-28 UN-2A	.7500-20 UNEF-2A
18	1.389	35.28	1.147	29.13	1.359	34.52	1.1250-.1P-.3L-TS-2A	.884	22.45	1.1875-28 UN-2A	.9375-20 UNEF-2A
19	1.450	36.83	1.221	31.01	1.420	36.07	1.1875-.1P-.3L-TS-2A	.884	22.45	1.2500-28 UN-2A	.9375-20 UNEF-2A

PANEL CUTOUTS

Shell Size	A		Ø B	
	In. ± .002	mm. ± 0.05	In.	mm.
8	.545	13.84	.575/.571	14.61/14.50
9	.671	17.04	.700/.696	17.78/17.68
10	.671	17.04	.700/.696	17.78/17.68
11	.731	18.57	.762/.758	19.35/19.25
12	.794	20.17	.825/.821	20.96/20.85
15	.980	24.89	1.012/1.008	25.70/25.60
18	1.157	29.39	1.200/1.196	30.48/30.38
19	1.231	31.27	1.262/1.258	32.05/31.95

SERIES 805 KEY POSITIONS

Key Position	Key Rotation	
	A	B
Normal (A)	150°	210°
B	75°	210°
C	95°	230°
D	140°	275°