

**Series 803 "Mighty Mouse"
1/4 Turn Bayonet Coupling**



Series 803 Receptacles With PCB or Solder Cup Contacts



**Series 803 Printed
Circuit Board Receptacle**


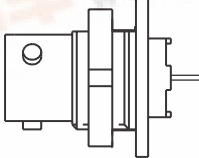
Series 803 Receptacles feature a low profile shell for minimum protrusion inside enclosures. Contacts are factory-installed and are non-removable. Connectors are backfilled with rigid epoxy for a watertight seal.

Series 803 Bayonet Receptacles are available in two shell styles: jam nut for rear panel mounting, or elliptical flange mount.

PCB Contacts feature gold-plated tails for solder termination to rigid or flexible circuits.

Solder Cup Contacts are non-removable and are sealed with rigid epoxy. Maximum wire gage is #22.

HOW TO ORDER SERIES 801 PRINTED CIRCUIT BOARD RECEPTACLES

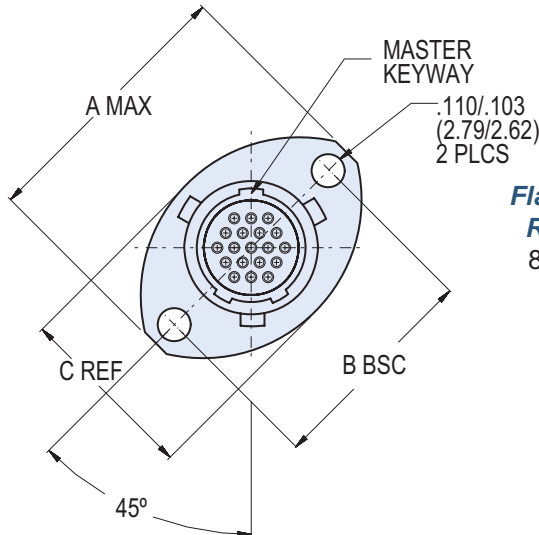
803-005	-07	Sample Part Number ZN	6-7	S	N
Series	Shell Style	Shell Material / Finish	Shell Size- Insert Arrangement	Contact Type	Shell Key Position
803-005 Receptacle with Solder Cup Contacts or PC Tails	-02 Flange Mount 	C Aluminum / Black Anodize	5-3 3 #23 6-1 1 #16	P Pin, PC Tail S Socket, PC Tail	N Normal Alternative Key Positions: X Y Z
		M Aluminum / Electroless Nickel	6-4 4 #23 6-7 7 #23		
		NF Aluminum / Cadmium with Olive Drab Chromate	7-1 1 #12 7-10 10 #23		
		ZN Aluminum / Zinc-Nickel with Olive Drab Chromate	8-13 13 #23 9-4 4 #16		
		ZNU Aluminum / Zinc-Nickel with Black Chromate	9-19 19 #23 10-26 26 #23		
	-07 Jam Nut 	Z1 Stainless Steel	12-2 2 #12 12-37 37 #23 14-55 55 #23 15-85 85 #23	E Pin, Solder Cup F Socket, Solder Cup	



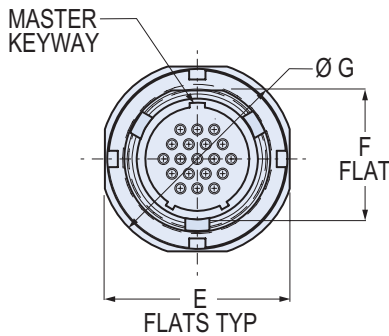
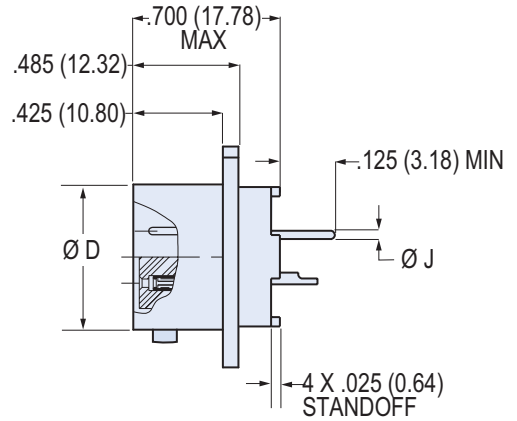


**Series 803 "Mighty Mouse"
1/4 Turn Bayonet Coupling**

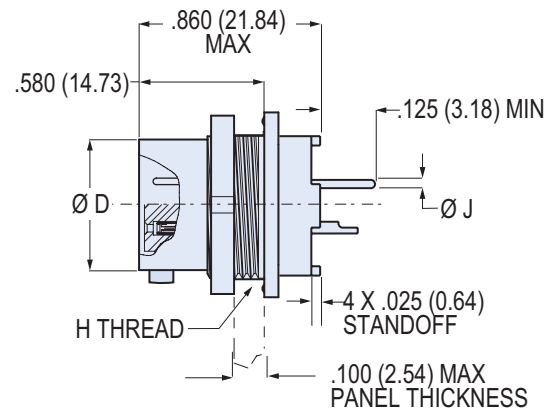
Series 803 Receptacles With PCB or Solder Cup Contacts



Flange Mount Receptacle
803-005-02



Jam Nut Receptacle
803-005-07



DIMENSIONS

Shell Size	A Max.		B Bsc.		C Ref.		Ø D		E Flats		F Flat		Ø G		H Thread	Ø J Tail Dia.
	In.	mm.	In.	mm.	In.	mm.	In.	mm.	In.	mm.	In.	mm.	In.	mm.		
5	.703	17.86	.513	13.03	.460	11.68	.300	7.62	.545	13.84	.350	8.89	.575	14.61	.3750-32 UNEF-2A	#23
6	.788	20.02	.598	15.19	.522	13.26	.362	9.19	.595	15.11	.410	10.42	.635	16.13	.4375-28 UNEF-2A	.018/.022 (0.46/0.56)
7	.890	22.61	.708	17.98	.590	14.99	.436	11.07	.723	18.36	.536	13.61	.755	19.18	.5625-32 UN-2A	#16
8	1.154	29.31	.964	24.49	.668	16.97	.508	12.91	.723	18.36	.536	13.61	.755	19.18	.5625-32 UN-2A	#16
9	1.207	30.66	1.017	25.83	.721	18.31	.561	14.25	.790	20.07	.596	15.14	.830	21.08	.6250-28 UN-2A	.060/.064 (1.52/1.63)
10	1.291	32.79	1.101	27.97	.795	20.19	.635	16.13	.855	21.72	.656	16.66	.890	22.61	.6875-28 UN-2A	#12
12	1.394	35.41	1.204	30.58	.874	22.20	.714	18.14	1.044	26.52	.845	21.46	1.078	27.38	.8750-28 UN-2A	#12
14	1.545	39.24	1.280	32.51	1.050	26.67	.865	21.97	1.230	31.24	1.022	25.96	1.264	32.11	1.0625-20 UN-2A	.092/.096 (2.34/2.44)
15	1.630	41.40	1.370	34.80	1.150	29.21	.925	23.50	1.290	32.77	1.096	27.84	1.325	33.66	1.1250-28 UN-2A	#12

This datasheet has been downloaded from:

www.EEworld.com.cn

Free Download

Daily Updated Database

100% Free Datasheet Search Site

100% Free IC Replacement Search Site

Convenient Electronic Dictionary

Fast Search System

www.EEworld.com.cn