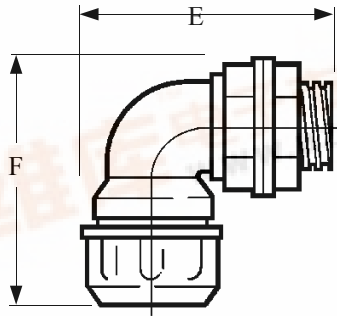


KOPEX ELECTROFLEX 970, 972 & 974 SERIES CONNECTORS FOR USE WITH 150, 154, 155 & 158 CONDUITS



MATERIAL: BLACK POLYPROPYLENE

CONDUIT SIZE (mm)	THREAD TYPE	THREAD SIZE	ORDERING CODE	DIMENSIONS (mm)					
				THREAD DIAMETER	MINIMUM BORE	NUT DIAMETER	THREAD LENGTH	LENGTH E	LENGTH F
12	Gas Thread to UNI 338	1/4"	EF970010	13.157	8.0	24.0	11.0	42.0	48.0
16		3/8"	EF970012	16.662	10.0	27.0	10.5	48.0	50.0
20		1/2"	EF970016	20.955	14.0	33.0	13.5	56.0	49.5
25		3/4"	EF970022	26.441	19.0	43.0	17.0	71.5	74.5
32		1"	EF970028	33.249	26.0	47.0	18.5	82.0	90.5
40		1.1/4"	EF970035	41.910	32.0	56.0	18.0	91.0	99.5
12	Metric to BS 3643	12mm	EF972010	12.0	8.0	24.0	11.0	42.0	48.0
16		16mm	EF972012	16.0	10.0	27.0	10.5	48.0	50.0
20		20mm	EF972016	20.0	14.0	33.0	13.5	56.0	49.5
25		25mm	EF972022	25.0	19.0	43.0	17.0	71.5	74.5
32		32mm	EF972028	32.0	26.0	47.0	18.5	82.0	90.5
40		40mm	EF972035	40.0	32.0	56.0	18.0	91.0	100.0
12	Pg to DIN 40430	Pg7	EF974010	12.5	8.0	24.0	11.0	42.0	48.0
16		Pg9	EF974012	15.2	10.0	27.0	10.5	48.0	50.0
16		Pg11	EF974013	18.6	10.0	30.0	10.5	48.0	50.0
16		Pg13.5	EF974014	20.4	10.0	27.0	10.5	48.0	55.5
20		Pg11	EF974016	18.6	14.0	33.0	13.5	56.0	66.0
20		Pg13.5	EF974017	20.4	14.0	33.0	13.5	56.0	61.0
20		Pg16	EF974018	22.5	14.0	33.0	13.5	56.0	66.0
25		Pg16	EF974022	22.5	19.0	43.0	17.0	71.5	74.5
25		Pg21	EF974023	28.3	19.0	43.0	17.0	71.5	74.5
32		Pg29	EF974029	37.0	26.0	47.0	18.5	82.0	90.0
40		Pg36	EF974036	47.0	32.0	56.0	18.0	91.0	99.5

PROPERTIES:

RESISTANCE TO FLAME PROPAGATION
IP RATING WITH RECOMMENDED CONDUIT

OPERATING TEMPERATURE

FLAME RETARDANT, RATED UL94 - V₂

IP 65 (NO INGRESS OF TALCUM POWDER UNDER VACUUM AND NO INGRESS OF WATER WITH NOZZLE SPRAY FROM 3m).

- 20 TO + 60° C DEPENDING ON CONDUIT TYPE.

FITTINGS INSTRUCTIONS INCLUDED WITH PRODUCT AND AVAILABLE ON REQUEST - LEAFLET No.808896

The Company's policy is one of continuous improvement and reserves the right to change specifications at any time without prior notice.