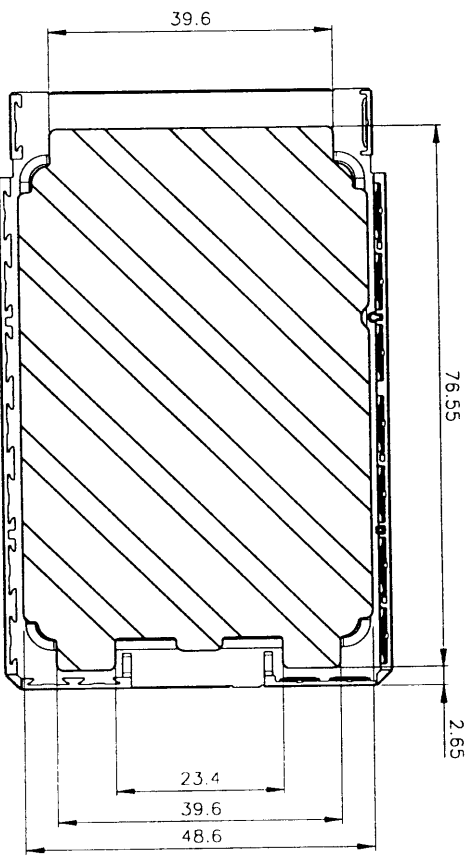
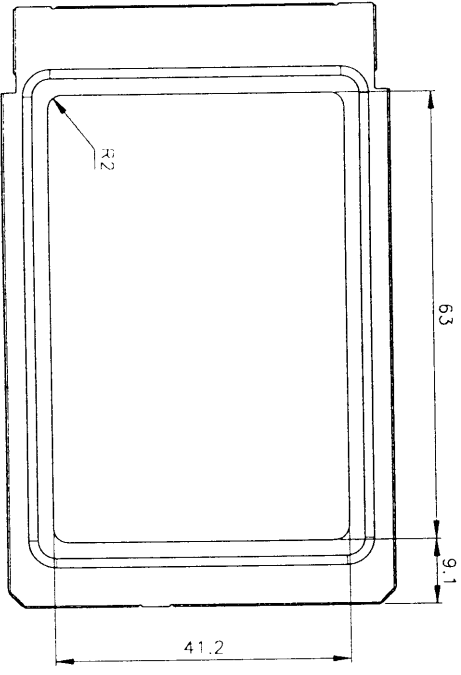
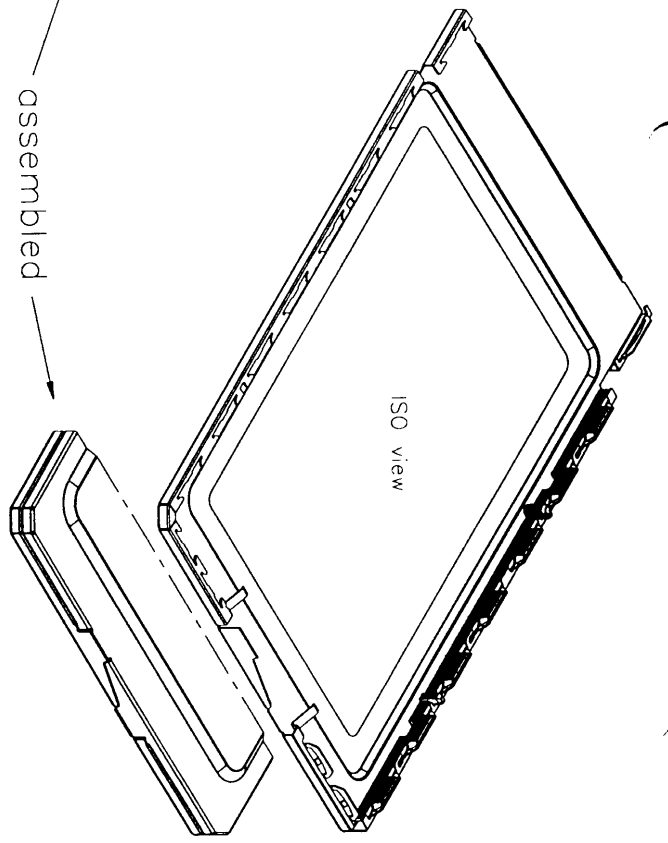
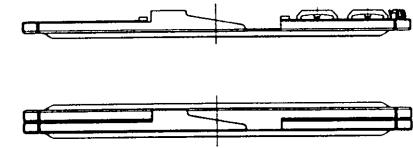
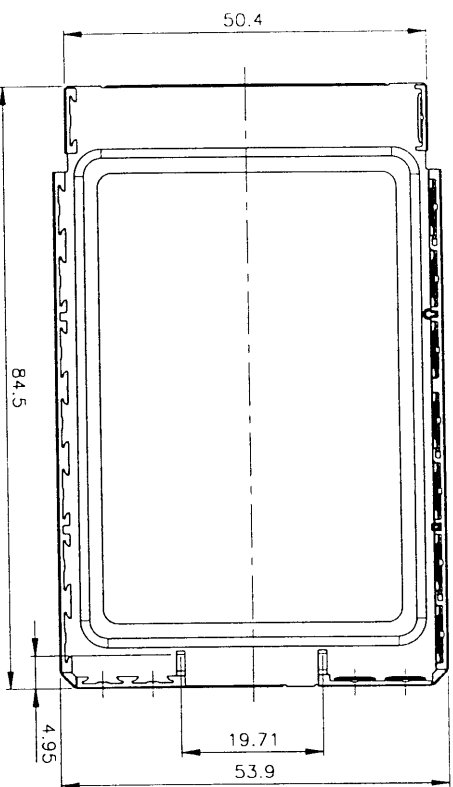


134 648

Prod	nber	Insulator	Label recess
83808-20000		no	no
83808-20010		yes	no
83808-20100		no	yes
83808-20110		yes	yes



Version: Label recess  
(maximum label thickness 0.07 mm)

Version: Insulator  
(thickness 0.05 mm)

PRELIMINARY

MATERIAL CODE		INDUSTRY GROUP		CUSTOMER		BERG ELECTRONICS	
LINE	REF. NO.	QTY	DATE	PROJECTION	TYPE	SCALE	CODE
1	---	1	07/11/01	100%	ROCARD SHIELD	2:1	213
2	---	1	07/11/01	100%	ROCARD SHIELD	2:1	213
DESIGNER		DRAWN		CHECKED		APPROVED	
HYPERLIEN		A. GARNIS		R. BIRNBAUM			
97080		97080					
A2		83808					

BERG

BERG ELECTRONICS