

CPU coolers

□ 50.8×50.8mm

SAN ACE MC



179-139
179-127



Directly cools CPU, integral with a heat sink

General specifications

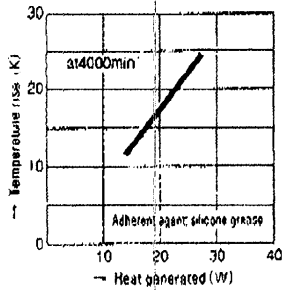
- Life expectancy 40,000 hours
(survival rate: 90% at 60°C, rated voltage, and continuously run in a free air state)
- Motor protection system Current cut system (with reverse-connection protection)
- Dielectric strength 50/60 Hz, 500 VAC, 1 minute
(between input terminal and frame)
- Operating voltage range -10°C to +60°C (non-condensing)
- Heat resistance As per Sanyo Denki's measurement method

30mm thick

Specifications

Model No.	Rated voltage (V)	Operating voltage range (V)	Rated current (A)	Rated input (W)	Rated rotating speed (r/min)	Thermal resistance (K/W)	Noise (dB(A))	Mass (g)
109P5405H2026	5	4.5 to 5.5	0.12	0.6	4,000	0.97	28	78
109P5412H2026	12	1 to 13.8	0.06	0.72				

Typical cooling characteristics

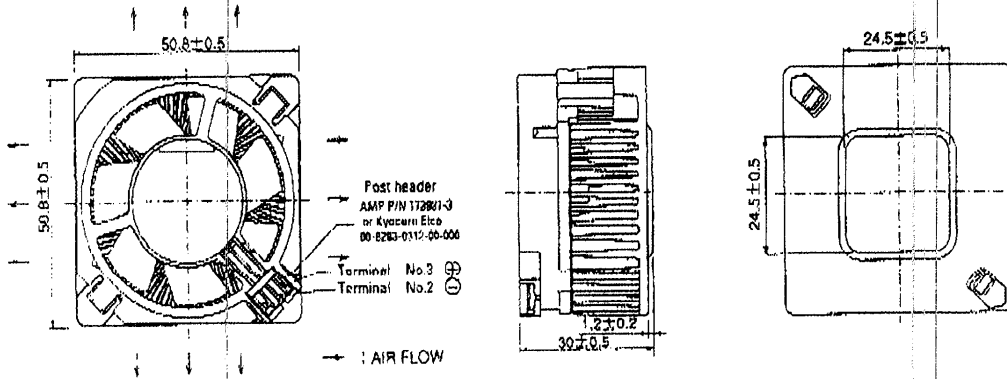


109P5405H2026
109P5412H2026

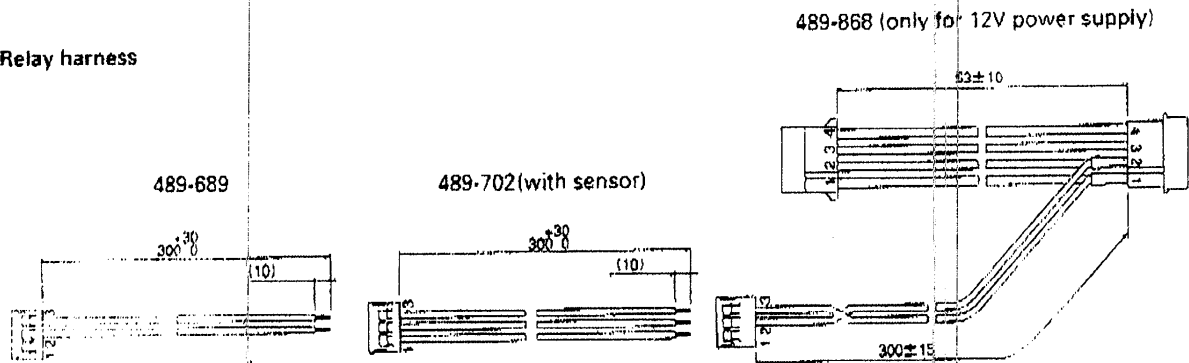
CPU Cooler

□ 50.8×50.8mm

Dimensions (unit : mm)



Relay harness



Installation metal fittings (unit : mm)

109-683 (for use with socket 7)

