

474 721 to 812.

MONO 72 SIREN

INSTALLATION AND MAINTENANCE INSTRUCTIONS

GENERAL

This siren is comprised a universally wound motor which drives a glass-filled nylon impellor inside a pressed, slotted cover. The sound is produced by the blades of the impellor alternately forcing air through the cover slots, and cutting off this air.

INSTALLATION

The unit should be installed with the motor horizontal to prevent water from settling inside the siren housing. On no account should the siren be mounted with the impellor uppermost.

The terminal connections are situated at the commutator end of the motor inside the enclosing cover which can be removed by unscrewing 2 off fixing screws. Connections to the terminal block are not polarity conscious (live & neutral can be connected either way). There is also an earth screw for connection to ground.

After installation ensure enclosing cover O-ring gasket is fitted carefully to prevent damage when refitting enclosing cover.

LUBRICATION

Motor ball-bearings are grease-lubricated and double shielded requiring no further attention.

MAINTENANCE BRUSHGEAR

Inspect commutator and brushes every twelve months or 500 running hours, whichever is the least. Replace brushes when worn to 5mm length.

When a new set of brushes is necessary, clean commutator with fine glass paper unless a pronounced groove has been worn. If the latter has occurred, remove armature and reskim commutator. Do not let carbon dust accumulate inside motor.

SPARES

MONO 04	Impellor
MB 69	Impellor Cover
X 5002/2	Bearings
A1-72/31/Stock No.	Wound Field
MONO 09/Stock No.	Armature
E 550M	Brush & Pigtail Assembly (up to 26 volt)
E 537M	Brush (over 26 volt)

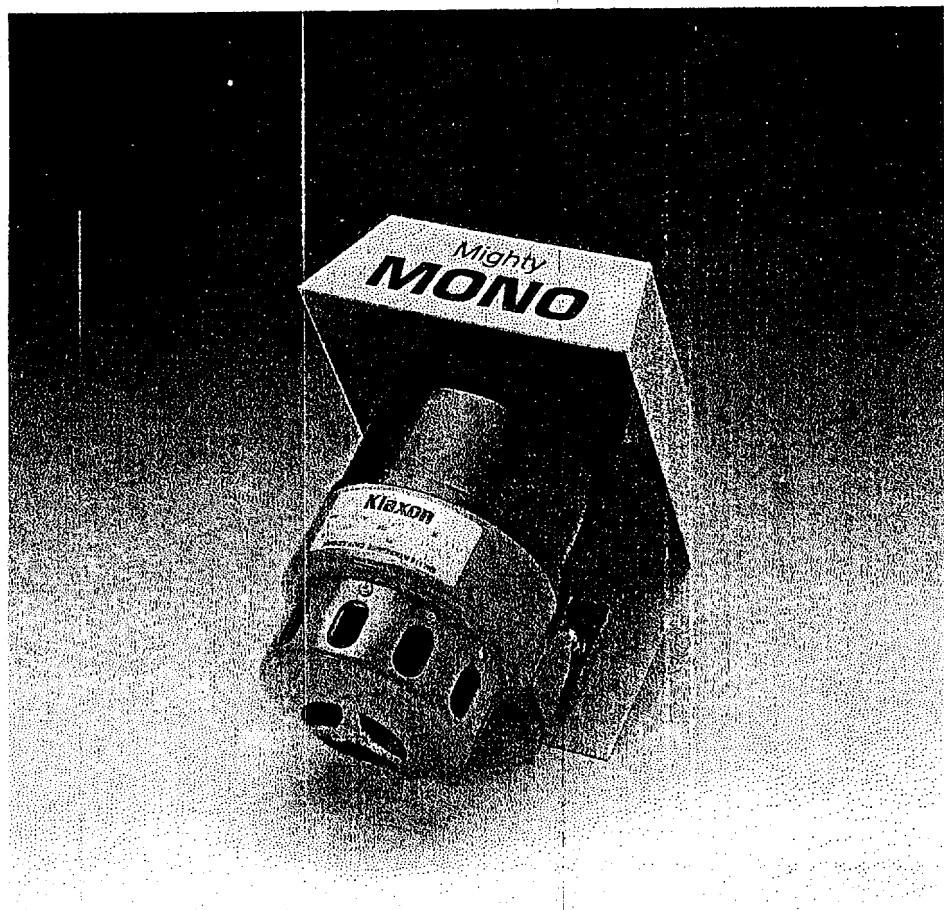
Part No. X 4871

474721

KLAXON

MIGHTY MONO

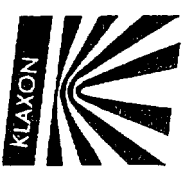
Electric Motor Driven Siren Complete with 12 volt Activation Relay.



THE KLAXON MIGHTY MONO

A powerful motor driven mains siren activated via a 12v DC relay
ideal for many security applications.

- Current Consumption: 0.42A
- Siren Rating: Continuous Operation
- Sound Output: 120-123dBa @ 1 metre
- * Fully Weatherproof with or without cowl
- * Pre-wired with 1m supply cable, 1m relay cable
- * Robust Aluminium casting construction with Plastic cover



Klaxon Signals Ltd.

Warwick Road, Tyseley, Birmingham B11 2HB
Tel: 021-706 1654 Fax: 021-708 1220 Telex: 339585 Klaxon G



MIGHTY MONO SIREN
INSTALLATION INSTRUCTIONS

SPECIFICATION

Siren Supply Voltage (3-core cable).....	240v AC
Activating Trigger Relay (2 core cable).....	12v DC
Siren Running Current.....	420mA
Siren Start Up Current.....	2A
Trigger Relay Running Current.....	42mA
Siren Rating.....	Continuous
Operating Temperature.....	-30 +45 C

GENERAL

This siren is comprised of a universally wound motor which drives a glass-filled nylon impellor inside a pressed, slotted cover. The sound is produced by the blades of the impellor alternately forcing air through the cover slots, and cutting off this air.

INSTALLATION

The unit should be installed with the motor pointing down to prevent water from settling inside the siren housing. On no account should the siren be mounted with the impellor uppermost.

The siren is a weatherproof unit and may be installed both in & outdoors

It is supplied with 1 metre length flying leads 1 x 3 core and 1 x 2 core cables.

The motor of the siren is operated on 240v AC supply - switched by the internal relay installed in the unit - therefore a constant 240v AC supplied to the siren is switched via the trigger relay closing on the application of 12v DC from panel or other source.

The siren should be mounted using three suitable screws through mounting bracket.

The 3 core cable should be connected as follows:-

BROWN.....	LIVE	} Recommended Fuse - 5 amps
BLUE.....	NEUTRAL	
GREEN/YELLOW.....	EARTH	

The 2 core cable should be connected to a switched 12v DC supply.
DO NOT USE AC.

TESTING

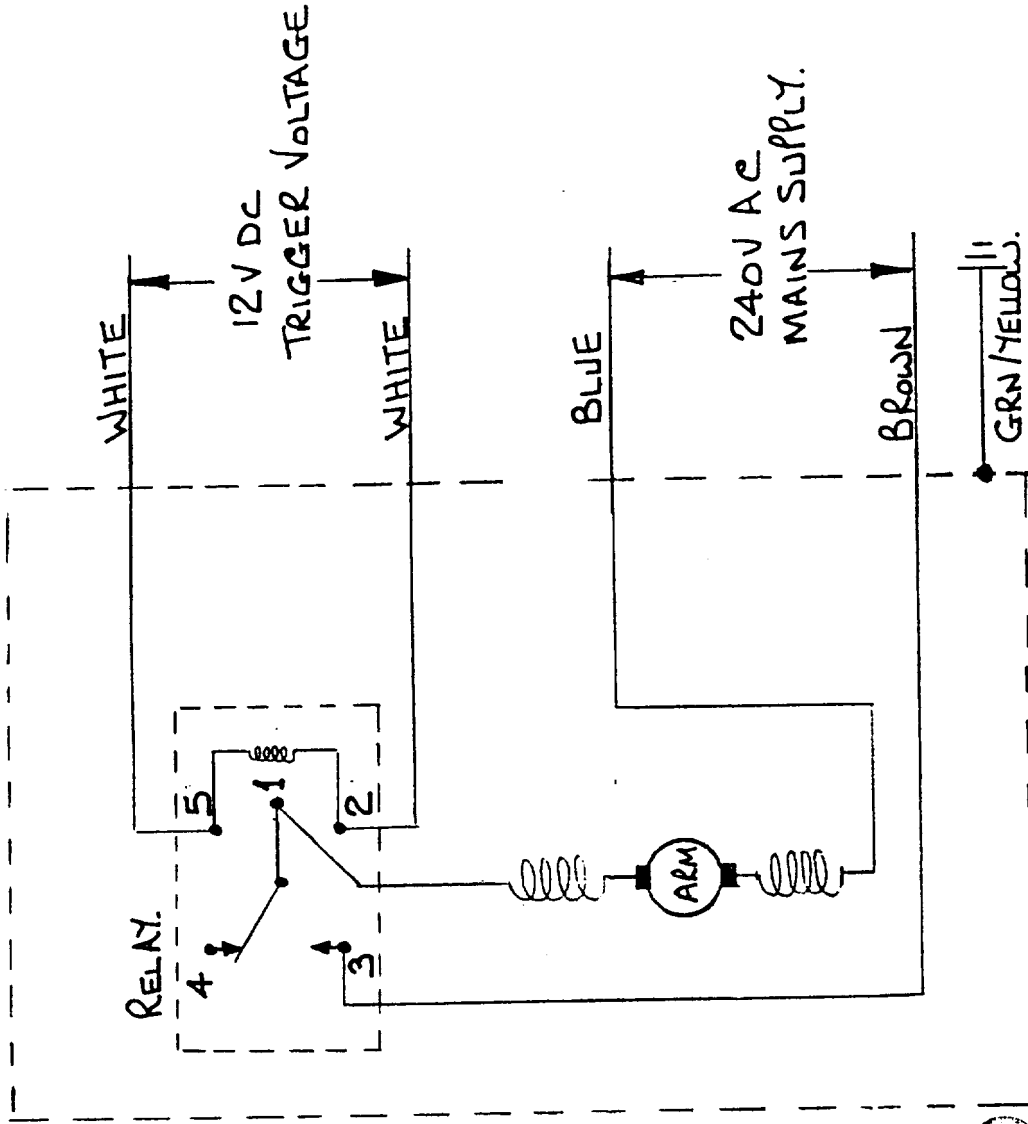
Upon application of 240v AC, which should be constant, the siren will not sound. The siren then may be tested by applying 12 volts DC to the 2 core cable.

NOTE Both Supplies MUST be disconnected before dismantling this unit.

PART No. CS1097

KLAXON SIGNALS LTD,
WARWICK ROAD,
TYSELEY,
BIRMINGHAM. B11 0HB

UNCONTROLLED



REMOVE ALL BURRS

DATE	11/12/92	REF	1	MOD No.	ENG 0864	DRAWN	<i>[Signature]</i>	CH'D	<i>[Signature]</i>	DATE	11/12/92	SCALE	1:1	JIGS & TOOLS		DO NOT SCALE DRAWING. IF IN DOUBT ASK.		PROJECTION	—	TOLERANCE	UNLESS OTHERWISE STATED	DIMENSIONS IN	QTY.	1	USED ON	03/2170	MATERIAL		GROUP		ISSUE No.	1	PART No.		WEIGHT	
TITLE																				CONNECTION DIAGRAM "MIGHTY MONO"																
PART No.																				CS 1097																

KLAXET HOOTER

MAINTENANCE INSTRUCTIONS

This hooter is of the motor driven type, the note being produced by the revolution of a serrated rotor against a hardened steel stud rivetted to the centre of a diaphragm. The hooter is supplied complete with mounting bracket.

MAINTENANCE

The hooter is adjusted to give its best performance before leaving our works. After prolonged use, however, it may become necessary to re-adjust the hooter to compensate for diaphragm stud wear. It may also be found that after long service the brushes or diaphragm may need replacement and the following notes are intended as a guide.

ADJUSTMENT

The object of adjustment is to obtain the correct pressure between the rotor and stud. Upon this depends the quality of the note emitted by the hooter and the life of the rotor and diaphragm.

1. Loosen cap nut at rear of hooter body and rotate the adjusting arm in the 'off' direction for half a revolution.
2. Holding the adjusting arm to prevent it turning, switch the current on and immediately off. The armature should revolve freely without striking the diaphragm.
3. Rotate arm in 'on' direction by small movements $\frac{1}{16}$ revolution or less holding arm still and switching on and off after each advance until the rotor is heard to just touch the diaphragm. Advance the arm $\frac{1}{8}$ revolution. The correct note should now be emitted and an overrun of $\frac{1}{2}$ second obtained. Do not turn the arm too far 'on', signified by reduced overrun, or motor will tend to stick and may burn out.
4. Hold arm still and tighten cap nut securely. It may be found necessary to make a further slight adjustment to allow for the axial movement of the bearing caused by the tightening of this nut.

BRUSH REPLACEMENT

The brushes should be removed and if shorter than $\frac{1}{4}$ " they should be replaced. When replacing brushes ensure that radius at the end of the brush follows the curvature of the armature.

DIAPHRAGM REPLACEMENT

1. Disconnect hooter from supply and remove from mounting bracket by releasing the $\frac{3}{8}$ " bolt securing hooter to bracket.
2. Separate front flange from body to removing the 6 - 2BA screws.
3. Examine diaphragm. If there is any sign of cracking it should be renewed.
4. Examine diaphragm stud. If stud has worn to a depth of more than $\frac{1}{64}$ ", renew diaphragm.
5. To fit a new diaphragm, place diaphragm between the two felt gaskets and place on body casting with stud face downwards so that locating slots on diaphragm line up with holes on the body.
6. Replace front flange by tightening the 6 - 2BA screws evenly.
7. Replace hooter on bracket and secure $\frac{3}{8}$ " bolt.
8. Re-connect hooter and adjust as above.

SPARES

ITEM	QUANTITY	PART No.
Diaphragm Assembly	1	EC.187
Diaphragm Gaskets	2	EC.15
Brush & Spring Assembly (24/250v)	2	EC.254
Brush & Spring Assembly (10/23v)	2	EC.255
Armature & Bearing Assembly (12/250v)	1	EC.251/Stock No.
Matching Front Bearing	1	EC.91
Serrated Rotor	1	EC.63

A1 - 72 HOOTER

INSTALLATION AND MAINTENANCE

INSTRUCTIONS

INSTALLATION

This Hooter is of the motor driven type, the note being produced by the revolution of a serrated rotor against a hardened steel stud rivetted to the centre of a diaphragm. The drive shaft to the rotor runs through a bush so that when the locknut is released the complete driving motor can be turned about on its axis, thus moving the conduit entry to suit the installation.

MAINTENANCE

The hooter is adjusted to give its best performance before leaving our works. After prolonged use, however, it may become necessary to re-adjust the hooter to compensate for diaphragm stud wear. It may also be found that after long service the brushes or diaphragm may need replacement and the following notes are intended as a guide.

ADJUSTMENT

The object of adjustment is to obtain the correct pressure between the rotor and stud. Upon this depends the quality of the note emitted by the hooter and the life of the rotor and diaphragm.

1. Support horn by bracket. Remove the 6-6mm screws holding the flange and diaphragm to the body.
2. Remove one (0.15mm) gasket from between the diaphragm and the body.
NOTE: Removal of more than one gasket before checking output could cause the adjustment to be "hard on" and result in the motor stalling or over-heating and the diaphragm to crack.
3. Replace the flange and diaphragm and tighten the 6-6mm screws evenly.
4. Hold motor body. Switch on supply momentarily to ensure that motor is free running.
5. Check sound output is satisfactory and ensure that the motor over-runs slightly when the supply is switched off.
6. Repeat steps 1 - 5 if output is still low.

RATING NOT TO EXCEED 2 MINUTES.

BRUSH REPLACEMENT

The brushes should be removed and if shorter than 1/4" they should be replaced.

DIAPHRAGM REPLACEMENT

1. Separate front flange from body by removing the 6-6mm screws.
2. Examine diaphragm. If there is any sign of cracking it should be renewed.
3. Examine diaphragm stud. If stud has worn to a depth of more than 0.4mm, renew diaphragm.
4. To fit new diaphragm, build from the body, four(4) 0.3mm gaskets, two(2) 0.15mm gaskets, the new diaphragm assembly (stud towards the rotor) two(2) 0.3mm gaskets, then proceed as ADJUSTMENT step 3 - 5.

SPARES

ITEM	QUANTITY	PART NO
Diaphragm Assembly	1	EK 79) Supplied with gaskets
Diaphragm Gasket (0.3mm)	6	A1-72/5
Diaphragm Gasket (0.15mm)	2	A1-72/40
Brush (48/250V)	2	E 537 S
Brush (6-48V)	2	E 550 M
Armature Assembly (Please state voltage reqd)	1	A1-72/31/Stock No.
Field Core & Coil Assembly (Please state voltage)	1	A1-72/7/Stock No.
Serrated Rotor	1	A1-72-17

SYREX LC (A.C. VERSION)

INSTALLATION INSTRUCTIONS

GENERAL

The Syrex LC is an electronic audible warning device, which offers 3 different types of tone electronically generated, and amplified into a transducer which emits through the re-entrant enclosure.

INSTALLATION

The four posi-drive screws located in the recessed holes 'A' on the front must be unscrewed.

The back half of the enclosure may then be secured to a flat surface in any position (except pointing up in outdoor application) via the fixing points as shown in Fig.1.

Cable entry via any of the two side knockouts 'B' using a suitable gland or bush.

NOTE:- Glands/locknuts etc. may not be used on the inside rear knockout 'D', as they may cause damage when the sounder is re-assembled.

Adequate sized cable should be used and connected as shown in Fig.2.

STONE SELECTION

Three different tones or notes may be selected via terminal block links as supplied, see Fig.2.

VOLUME AND FREQUENCY CONTROL

Volume and frequency are pre-set, to adjust volume turn VR2 to level required, adjust VR1 to either increase or decrease the audio frequency.

REMOTE SWITCHING

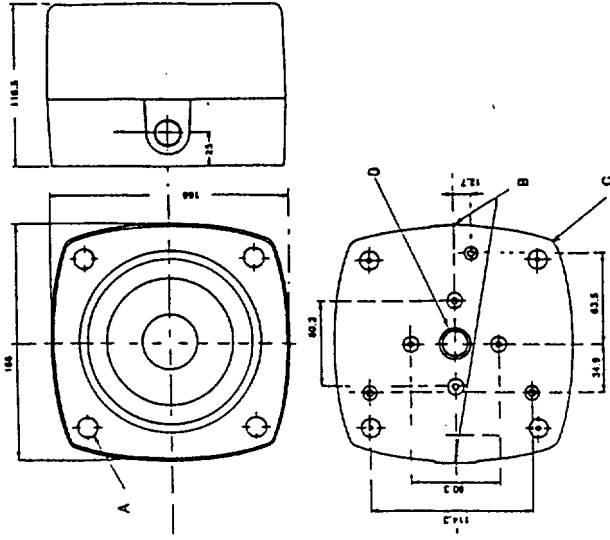
For two stage alarms the sounders may be switched from continuous to warble or continuous to pip as shown in Fig.2.

After the internal connections are complete secure the front of the signal with the four fixing screws ensuring the four sides of the enclosure mate correctly.

Push in the security plugs provided until flush with the surface.

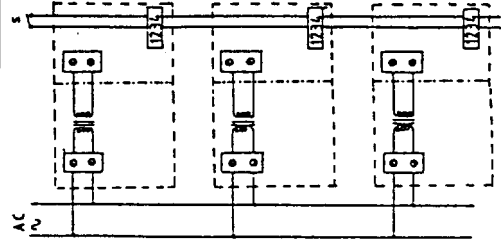
Overall dimensions and fixing details:

Fig.1



- A - Push in security buttons
- B - 3 recessed holes with 'push-out' for wiring connections (clearance for 20mm conduit)
- C - Inside View of cover
- D - 1 Recessed hole with 'push-out' for rear wiring connections

CONNECTION DETAILS Fig.2



CONNECT AC SUPPLY TO BLOCK IN BASE.

SOUND	LINK
continuous	no link
warble	3 - 4
pip	3 - 4 & 1 - 2

REMOTE SWITCHING

drawing shows (3x) units, connections for switching, continuous - warble, 1 to switch continuous - pip, connect as shown & link 1 - 2.

S open = continuous
S closed = other sound

SYNCHRONISATION

Not available.

INSTALLATION & MAINTENANCE INSTRUCTIONS

SYREX SHRIEKER 12/24V DC (SELECTABLE)

DESCRIPTION

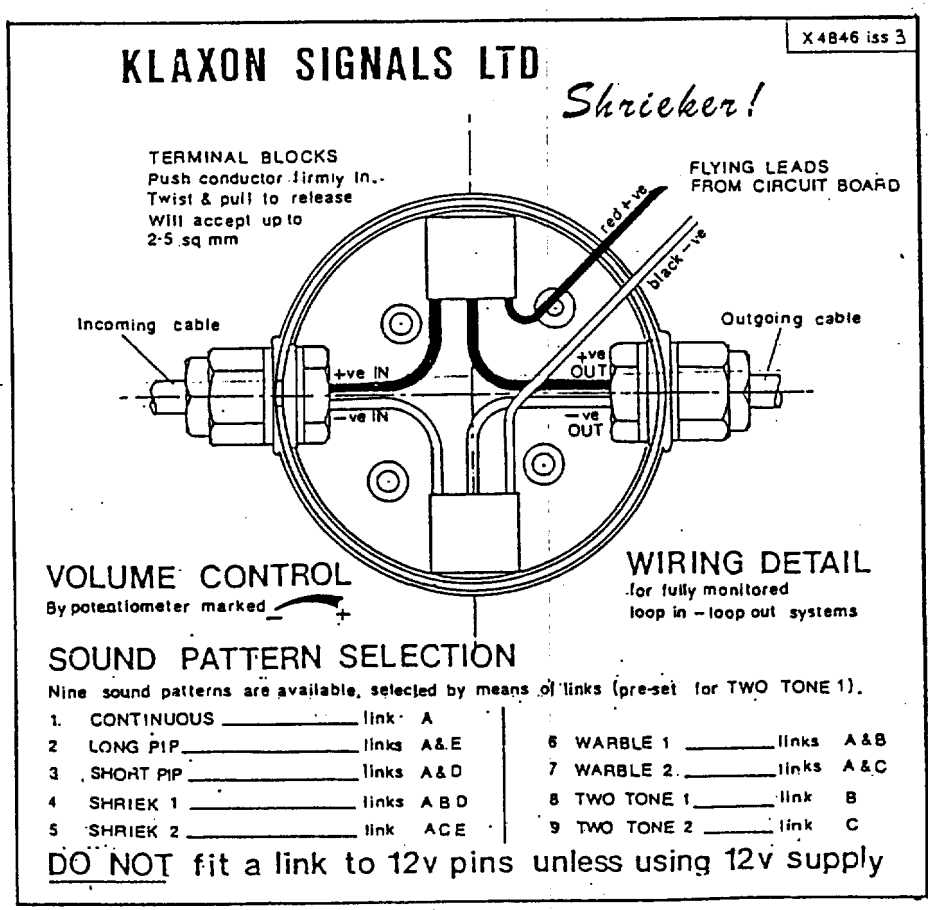
The SYREX SHRIEKER is a high output electronic sounder with nine different notes and an input current of only 8mA. This unit is primarily intended for use in Fire Alarm and Security Systems particularly where long cable runs are used and low current draw required. Unique Dual termination located in the base allow for cable in and cable out up to a size of 2.5mm² proving considerably quicker to install than conventional screw terminals.

INSTALLATION

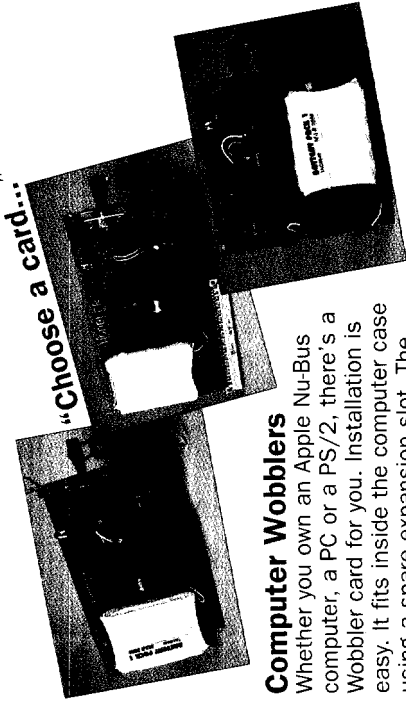
The SYREX SHRIEKER leaves the works pre-set for 24v and MODE 8 Note (Two Tone 1) at maximum output.

Alternative voltage and notes may be selected by fitting the links supplied (3) at the appropriate positions on the PCB. A potentiometer is also mounted on the PCB which allows the signal volume to be reduced locally when required. Three conduit entry knock-outs are provided (20mm clearance) 2 in sides, 1 in base.

A choice of 3 pairs of fixing holes are provided (4.5mm diameter) to suit British Standard and Electrical Installation fittings, including BESA and single gang type boxes.



What exactly is a WOBBLER -and how does it work?

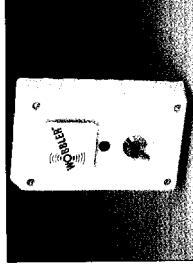


Computer Wobblers

Whether you own an Apple Nu-Bus computer, a PC or a PS/2, there's a Wobbler card for you. Installation is easy. It fits inside the computer case using a spare expansion slot. The Wobbler doesn't affect your data or interfere in any way with the operation of your computer.

The External Wobbler

If you need to protect a piece of equipment such as a scanner, fax or printer - or if a computer that you want to protect doesn't have a spare expansion port, then the external version of the Wobbler is the solution. The unit is attached to the equipment you want to protect using special adhesive pads, and you simply plug it into the mains.



How does the Wobbler Work ?

Simple. Once you have installed a Wobbler, you use a key to arm/disarm it. When the Wobbler is disarmed, you can move the protected equipment freely. When armed, so long as the computer is powered up Wobbler remains dormant, but if the equipment is unplugged or switched off, Wobbler is placed on alert. Its trembler device will sense movement in any axis and it will deliver a piercing 110dB (computer alarm) or 105dB (external alarm) at one metre. Microchip intelligence ignores a single accidental jolt but continuous movement sets off the alarm. Only by restoring the power can the thief kill the noise which will otherwise sound from the last detected movement for a period of two minutes or twenty minutes (your choice) in the case of the computer alarm, and for three minutes in the case of the external alarm. Also, an additional tamper detector is built in to every computer version which can be selected if you wish the alarm to be raised when someone removes the computer casing.

In both computer and external versions, circuits are automatically tested via the keyswitch (see instructions leaflet for details). The alkaline power pack has a life expectancy of four to five years, depending on usage, which could mean eight hours of sound at the end of that period. On each event, the power pack is tested and a battery-low signal generated if the pack is running low.

Technical Specifications

Computer Wobblers

The Apple Nu-Bus, PC and PS/2 versions of Wobblers are approximately half-sized cards. None of the computer alarms access any system data, address or control buses. The alkaline power pack is non-chargeable. The card draws less than 15µA at 12Vdc from the protected equipment's power supply when the protected equipment is in use.

The External Wobbler

The unit is a box 150mm long, 90mm wide and 35mm deep (including the baffle which enhances the siren output). The unit can be mounted on any flat surface using the special adhesive pad supplied, and is connected to the mains supply from which it draws minimal power to keep its internal battery charged. It requires a voltage between 110V AC and 240V AC at 50-60Hz (no switching is required). Once the internal battery has been fully charged the Wobbler will remain in its sentinel state for many months, if the unit is disconnected from the mains.

All wobblers

Each unit is supplied with two keys for the arm/disarm lock. OUTPUT: When the alarm is triggered a siren of approximately 110dB (computer version) and 105dB (external version) at 1 metre. And that's painfully loud. The siren in the computer version persists for up to eight hours in two or twenty minute bursts (as selected) and then auto resets. In the external version it will sound for up to one hour in three minute bursts and auto resets.

OPERATION: Once installed and initially armed by the keyswitch, operation is completely automatic. Each unit is supplied with two keys for the arm/disarm lock.

To Place your order...

Contact the supplier whose details appear below - discounts are available on bulk orders. If you need a Wobbler for your PC, don't forget to specify whether you need the XT/AT or PS/2 version.

Don't let him get away with it!



"Protect your valuable hardware, data and software data with the new improved Wobbler alarm."

"Thousands in use!"

BEAT THE THIEF WITH A WOBBLER ALARM !

Avoid the grief: Keep your data and hardware safe...

Thieves are stealing computer equipment to order. Burglar alarms, secure computer rooms and insurance policies are no longer enough to ensure piece of mind.

Thieves who want your valuable hardware will be in and out of an alarmed area before the police or security guards have time to respond.

Even if your hardware is insured, are your applications and work in progress covered? Probably not. But they are well worth protecting with the Wobbler dedicated alarm...

If you are involved in publishing, design or pre-press, thieves know that you have expensive hardware. If the public



has easy access to your offices, then your equipment is easy to see - and easy to steal during the day. If you run a business, you are not only a 'soft target' for thieves, you are vulnerable to the effects of computer theft.

Be honest. When was the last time you backed up all your data and work in progress? Are all of your applications stored with recent backups away from your premises?

How would your profits be hit if you came in to the office tomorrow and found that your computers had been stolen?

Imagine how long it would take to get back up and running...

Fit Wobbler alarms and rest easy at night!

What other people have said about the computer theft problem - and about the Wobbler solution...

"...equipment theft will become ,more and more widespread, particularly burglaries hitting 'soft targets' such as small businesses."

MicroScope

"...where fitted, there have been no instances of theft opportunist thieves of protected equipment."

This product is a worthwhile and affordable deterrent."

MJ Butler, Security Manager,

The University of Birmingham

"The thieves were on the premises for less than a minute."

They knew how much time they had after the alarms went off,

and went straight for what they wanted...People imagine that you can be up and running again very quickly, but it doesn't work like that. You have to wait for replacement machines, and if you rent temporary equipment that still has to be loaded up..."

Andy Eden of Laserbureau

on the loss of two Quadras

"The Wobbler demo I saw was very convincing as a low-cost addition to stem Mac thefts."

Scott Jenkins,

Apple's European security manager

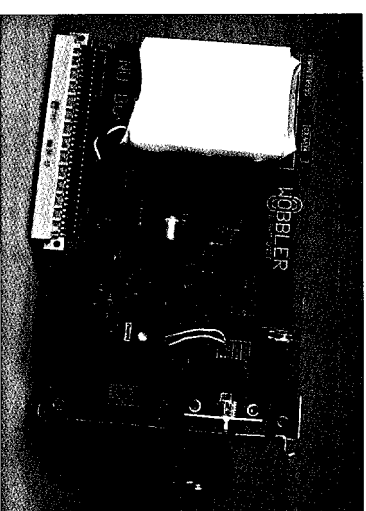
With WOBBLER you can:

Protect your PC



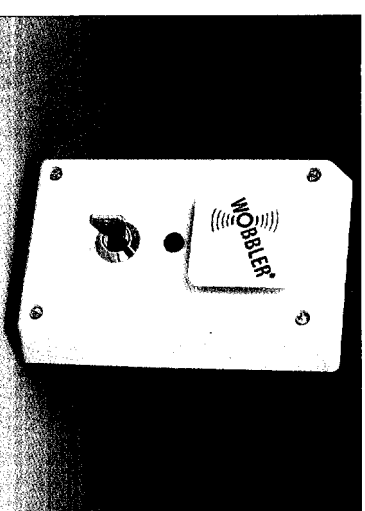
Fit a half-size Wobbler card inside your PC's case. There's one for XTs/ATs and a PS/2 version. All you need is an empty slot and a screwdriver.

Protect your Mac



If you've got a spare NuBus slot inside your Mac, the Wobbler card takes a few moments to install. Or fit the external version if your slots are full of costly cards.

Or protect anything!



If you haven't a slot to spare, you can use the external version of Wobbler to protect your hardware and data - or use one to stand guard over your scanner...

Turn the page for more details