

Table of contents

	General Production Program	page 2
	Main Characteristics and Types	2
	LEMO's Push-Pull Self-Latching System	3
	Mechanical Connecting Characteristics	3
	Series and Types	4
General Characteristics	Outer Shell, Technical Characteristics	5
	Insulator, Technical Characteristics	6
	Contact, Technical Characteristics	6
	Cable Fixing	8
	Clamping Type	8
Series 00	Introduction	9
	Interconnections	9
	Model Description	10
	Part Section Showing Internal Components	10
	Mechanical, Environmental and Electrical Characteristics	10
	Recommended Cables.....	11
	Anodized Color of Aluminum Alloy Connectors	11
	Part Number Example	12
	Models: Plugs.....	13
	Fixed Receptacle	16
	Free Receptacle	19
	Plugs with Resistors	20
	Couplers	21
	Plugs with Receptacle	21
	Watertight Fixed Receptacles	22
	Adaptors	23
	Assembled Cables	27
Accessories	Plug Cap	27
	Blanking Cap for Fixed Receptacle	28
	Blanking Cap for Free Receptacle	28
	Earthing Cap	28
	Crimp Ferrule	29
	Strain Relief.....	29
	Insulating Washers.....	29
	Locking Washers.....	29
	Tapered Washers.....	30
	Hexagonal Nut	30
	Round Nut	30
	Conical Nut.....	30
	Earthing Washer	30
Tooling	Spanner for nuts.....	31
	Spanner for plugs.....	31
	Collet nut wrench	32
	Extraction Tool for plugs	32
	Crimping Tool.....	32
	Panel Cut-Out	33
	Printed Circuit Board Drilling Pattern.....	33
	Terminating instructions	34
	Recommended Coaxial Cables.....	38
	Technical Tables	38

General Production Program

Connectors

- Unipole from 2 to 150 Amps
- Coaxial 50 and 75 Ω
- Coaxial 50 Ω (NIM-CAMAC)
- Coaxial 50 Ω for frequency up to 12 GHz
- Coaxial 50 Ω SMA
- Multicoaxial 50 and 75 Ω
- Multipole from 2 to 106 contacts
- High Voltage 3, 5, 8, 10, 15, 30, and 50 kV dc
- Multi High Voltage 3, 5, and 10 kV dc
- Triaxial 50 and 75 Ω
- Quadrax
- Mixed: High Voltage (HV) + Low Voltage (LV)
- Mixed: Coax + LV
- Thermocouple
- Multithermocouple
- Fiber optic singlemode
- Fiber optic multimode
- Mixed: fiber optic + LV
- For OPTABALL® fiber optic singlemode
- Fluidic
- Multifluidic
- Mixed: fluidic + LV
- Subminiature
- Miniature
- Plastic
- Printed circuit board
- Remote handling
- Watertight
- Sealed (pressure and/or vacuum)
- With plastic outer shell
- With aluminum outer shell
- With stainless steel outer shell
- With special radiation resistant insulator material
- With screw thread coupling for very high pressure
- With microswitch

Adaptors

- For BNC, C, UHF, N, CINCH connectors
- For GEN-RADIO, SMA connectors
- For TNC connectors

Patch Panels

For audio-mono applications: triax or 3 contacts (with or without switching)
 For audio-stereo applications: quadrax or 6 contacts
 For video applications: coax 75 Ω
 For video HDTV applications: 3 coax 75 Ω + 2LV
 For fiber optic applications

Accessories

- Insulator for crimp contacts
- Crimp contacts
- Coaxial contacts
- Fiber optic contacts
- Fiber optic ferrules
- Caps
- Strain relief
- Insulating washers
- Double plastic panel washers
- Locking washers
- Tapered washers
- Hexagonal nuts
- Round nuts
- Conical nuts
- Earthing washers
- Lead-through with cable collet

Tools

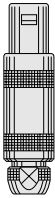
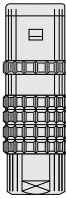

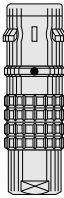
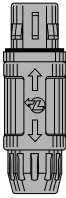
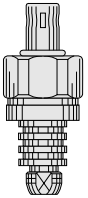
- Spanners
- Crimping tools
- Positioners
- Crimping dies
- Extractors
- Fiber optic termination workstation
- Fiber optic polishing tools

On request

- Filtered connectors
- Connectors with special alloy housing
- Mixed special connectors
- Assembly onto cable

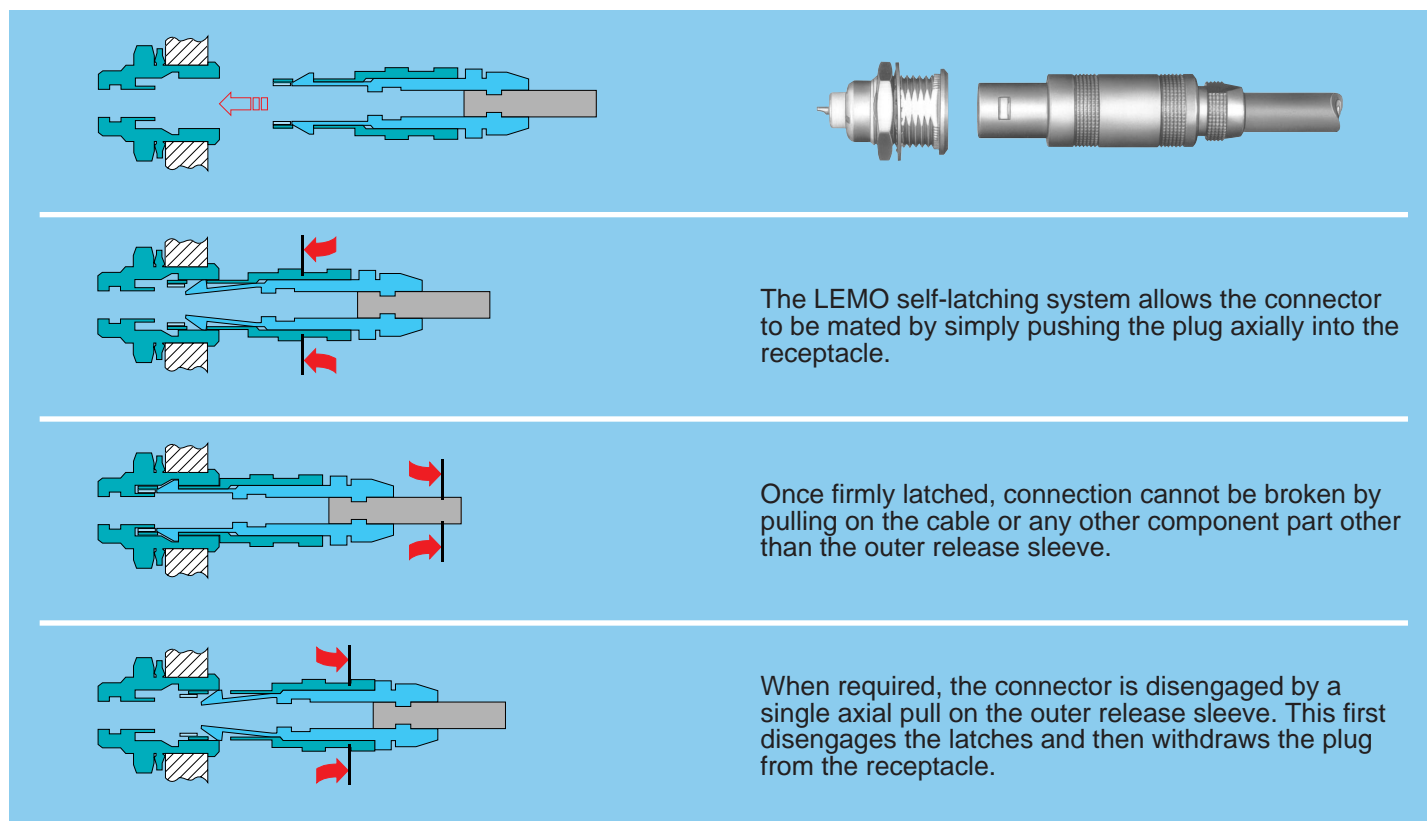
● Connectors, accessories, and tools found in this catalog.

Main Characteristics and Types

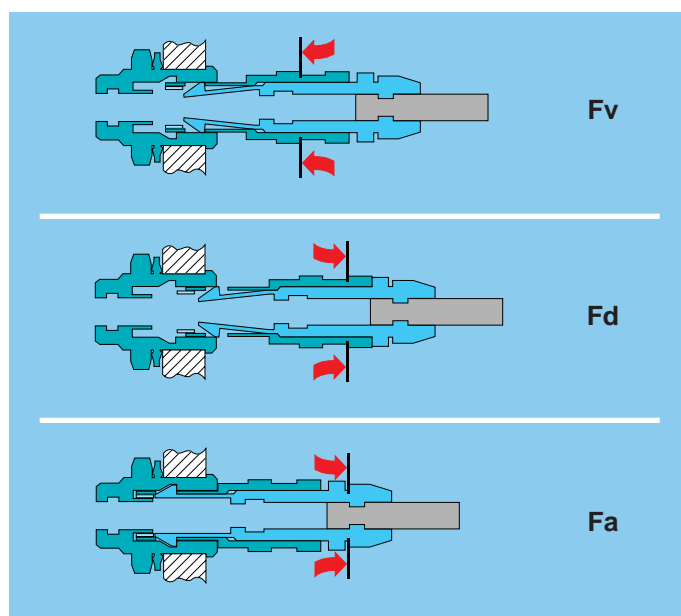
						
Series	STANDARD	WATERTIGHT	KEYED	KEYED WATERTIGHT	PLASTIC	SCREW
	01 (Minax)	0E to 6E	00 (multipin)	0K to 5K	3P	03
	00 (NIM-CAMAC)	3T	0B to 5B			EA
	R0	4M	2G			0V to 5V
	0S to 6S					2W
	0A / 4A					
	1D / 2C					
	1Y-3Y-6Y					
Latching	Push-Pull					Screw
Key	Stepped insert (Half-Moon)		Key (G) or key-way code			Key (G) or stepped insert (Half-Moon)
Shell	Metal or plastic				Plastic	Metal
Insert	Stepped insert (Half-Moon)		Cylindrical			Cylindrical or stepped insert (Half-Moon)
Contact	Solder, Crimp or Print					Solder

LEMO's Push-Pull Self-Latching Connecting System

This self-latching system is renowned worldwide for its easy and quick mating and unmating features. It provides absolute security against vibration, shock or pull on the cable, and facilitates operation in a very limited space.



Mechanical Connecting Characteristics



Fv: average latching force = 9 N

Fd: average unmating force with axial pull on the outer release sleeve = 7 N

Fa: average pull force with axial pull on the collet nut = 120 N

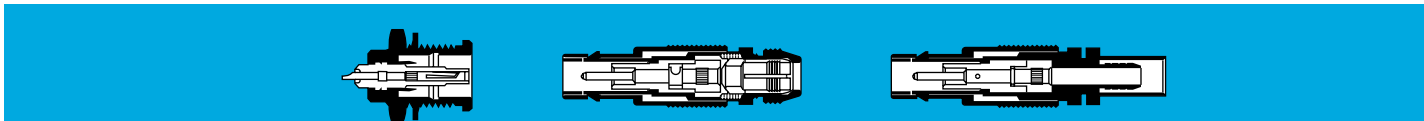
Notes: the forces were measured on outer shells not fitted with contacts. The mechanical endurance represents the number of cycles after which the latching system is still effective (1 cycle = 1 latching/unlatching – 300 cycles per hour). Mechanical endurance: 5000 cycles. The values were measured according to MIL-STD-1344A method 2013.1.

1N = 0,102 kg.

Series and Types

	Series	Types																					
		Unipole	Coaxial 50 Ω	Coaxial 75 Ω	Multipole	High Voltage	Triaxial 50 Ω	Triaxial 75 Ω	Quadrax	Multi High Voltage (Keyed series)	Multi High Voltage	Multi Coaxial	Mixed HV + LV	Mixed Coax + LV	Mixed Triax + LV	Fiber Optic (single fiber)	Multi Fiber Optic	Mixed FO + LV	Fluidic	Multifluidic	Mixed fluidic + LV	Thermocouple	
Standard	01		●																				
	00	●	●				●												●				
	R0		●																				
	0A		●	●																			
	0S	●	●		●	●	●																●
	1S	●	●	●	●	●	●																●
	2S	●	●	●	●	●	●	●						●									●
	3S	●	●	●	●	●	●	●				●		●	●								●
	4S	●	●	●	●	●	●	●				●	●	●	●								●
	5S	●	●	●	●							●	●	●	●								●
	6S				●							●		●									●
	1D									●													
	2C		●		●																		
	4A									●													
	1Y					●																	
3Y					●																		
6Y					●																		
Watertight	0E	●	●		●	●	●															●	
	1E	●	●	●	●	●	●															●	
	2E	●	●	●	●	●	●	●					●									●	
	3E	●	●	●	●	●	●	●			●		●	●								●	
	4E	●	●	●	●		●	●					●	●								●	
	5E	●			●						●	●	●	●								●	
	6E				●						●	●	●	●								●	
	3T			●				●															
4M						●	●																
Keyed	00				●										●							●	
	0B				●										●							●	
	1B				●								●					●				●	
	2B				●							●	●	●				●			●	●	
	3B				●						●	●	●	●			●	●		●	●	●	
	4B				●					●		●	●	●			●	●		●	●	●	
	5B				●					●		●	●	●	●		●	●		●	●	●	
	2G				●																		
Keyed Watertight	0K				●													●				●	
	1K				●								●									●	
	2K				●							●	●				●				●	●	
	3K		●		●						●	●	●	●			●	●		●	●	●	
	4K				●					●		●	●	●			●	●		●	●	●	
	5K				●					●		●	●	●	●		●	●		●	●	●	
Plastic	3P				●							●	●				●						
Screw	03		●		●																		
	EA														●								
	0V	●	●		●		●															●	
	1V	●	●	●	●		●															●	
	2V	●	●	●	●		●	●					●									●	
	3V	●	●	●	●		●	●			●		●	●								●	
	4V	●	●	●	●		●	●					●	●								●	
	5V	●			●						●	●	●	●								●	
2W				●								●	●				●			●	●		

General Characteristics



Outer Shell

Brass

LEMO series 00 connectors have a brass outer shell as standard, and this is suitable for most general purpose applications, including civilian and military.

The brass outer shells have a nickel-plated surface which ensures very good protection against most environments. Alternative protective coatings available are:

- Nickel-chrome offering higher protection against salt air and most corrosive agents
- Nickel-gold
- Nickel-black chrome. After the black chrome treatment, the part is coated with a protective film.

Aluminum Alloy

Aluminum alloy outer shells find numerous applications where light weight is a predominant factor; such as in the aeronautics and space industries, and for portable and mobile equipment.

These materials have high mechanical strength and

excellent resistance to corrosion.

The shell surface is protected by anodizing which is available in six colors: blue, yellow, black, red, green, and natural.

Plastic Materials

A PEEK outer shell is available which offers excellent insulating properties and is mostly used in the medical industry. This material is suitable for gas or steam sterilization.

Other Metallic Components

In general, other components are manufactured from brass. However, bronze is used where good elasticity is required (for example: earthing crown).

These parts are nickel or nickel-gold plated depending on the utilization.

Materials and Treatment

Component	Material (Standard)	Surface Treatment (µm)										
		Nickel		Chrome			Gold			Black Chrome		
		Cu	Ni	Cu	Ni	Cr	Cu	Ni	Au	Cu	Ni	Cr
Outer shell, collet nut, conical nut	Brass (UNS C 38500)	0.5	3	0.5	3	0.3	0.5	3	0.5	–	1	2
	Al. alloy (AA 6012)	anodized										
	PEEK (MIL-P-46183)	beige colored										
Earthing crown	Cu-Be (UNS C 17300)	0.5	3	–	–	–	0.5	3	1.5	–	–	–
Latch sleeve	Special Brass	0.5	3	–	–	–	0.5	3	1.5	–	–	–
Crimp ferrule	Copper (UNS C 18700)	0.5	3	–	–	–	0.5	3	1.5	–	–	–
Locking washer	Bronze (UNS C 52100)	0.5	3	–	–	–	0.5	3	0.5	–	–	–
Hexagonal nut	Brass (UNS C 38500)	0.5	3	–	–	–	0.5	3	0.5	–	–	–
	Al. alloy (AA 6012) ¹⁾	anodized										
Other metallic components	Brass (UNS C 38500)	0.5	3	–	–	–	0.5	3	0.5	–	–	–
Seals	Silicone or FPM	without treatment										

Notes: The surface treatment standards are as follows:

– nickel QQ-N-290A, or MIL-C-26074C

– chrome QQ-N-320B

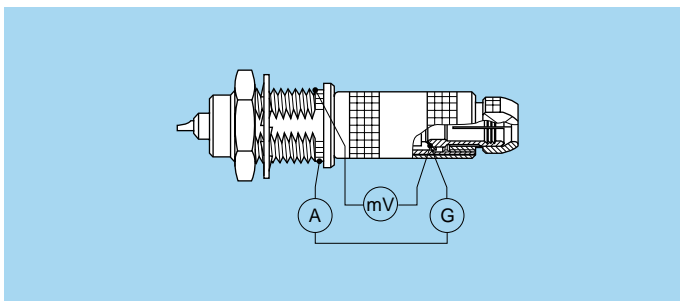
– gold MIL-G-45204C type I, class 1 (1.5 µm) class 00 (0.5 µm)

– black chrome MIL-C-14538C

¹⁾ supplied only with aluminum alloy free or fixed receptacles.

Electrical Characteristics

Screen continuity: according to test MIL-STD-1344A, method 3007.



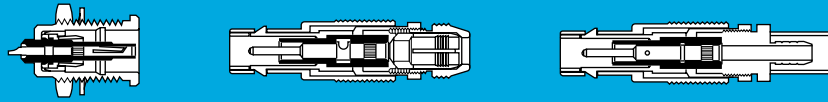
R₁ Values with earthing crown and latch sleeve or inner-sleeve nickel plated.

R₂ Values with gold-plated earthing crown and nickel plated latch sleeve or inner-sleeve.

R₃ Values with earthing crown and gold-plated latch sleeve or inner-sleeve.

R ₁ (mΩ)	R ₂ (mΩ)	R ₃ (mΩ)
3.5	2.8	2.0

Testing current: 1A
A = Ammeter
mV = Millivoltmeter
G = Generator



Insulator

Technical Description

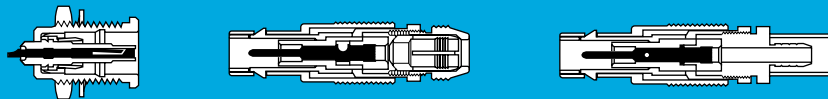
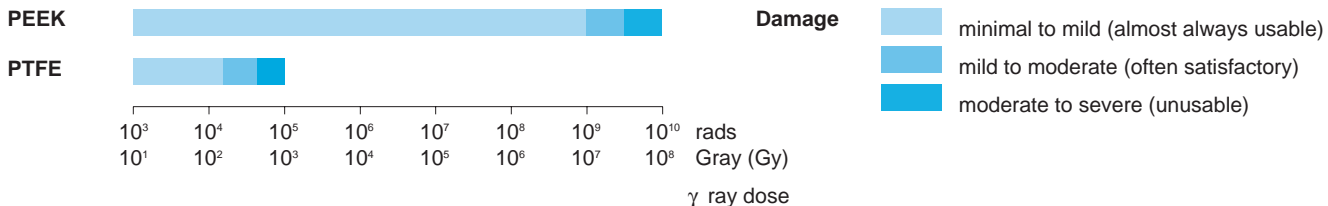
LEMO uses virgin quality PTFE for the insulator material of coaxial connectors, which guarantees excellent insulating properties. LEMO also proposes PEEK (Polyether Etherketone). Its higher mechanical strength and excellent radiation resistance make it ideal for most applications.

Technical Characteristics

Property	Test method	Unit	PEEK	PTFE
Dielectric strength	ASTM D 149	kV/mm	19 - 25	17.2 - 24
Volume resistivity at 50% HR and 23°C	ASTM D 257	$\Omega \cdot \text{cm}$	10^{16}	10^{18}
Surface resistivity	ASTM D 257	Ω	10^{15}	10^{17}
Thermal conductivity	ASTM C 177	W/K · m	0.25	0.23
Comparative tracking index	IEC 112	V	CTI 150	CTI 500
Dielectric constant (10 ⁶ Hz)	ASTM D 150	–	3.2 - 3.5	2 - 2.1
Dissipation factor (10 ⁶ Hz)	ASTM D 150	–	< 0.005	< 0.0003
Continuous service temperature	–	°C	250	260
Water absorption in 24h at 23°C	ASTM D 570	%	< 0.3	< 0.01
Radiation resistance	–	Gy	10^7	$2 \cdot 10^2$
Flammability rating	UL 94	–	V 0	V 0

Note: the technical data contained in this chapter gives general information about plastic materials used by LEMO as electrical insulator materials. LEMO reserves the right to propose new materials which would have better technical characteristics and to withdraw any material contained in this publication or others from LEMO and its subsidiary companies. LEMO only uses granulated, powdered plastic materials or bars from specialized suppliers. LEMO is not responsible, in any case, for these materials.

Radiation resistance



Electrical Contact

Technical Description

The secure, reliable electromechanical connection achieved with LEMO female contacts is mainly due to two important design features:

- Prod proof entry** which ensures perfect concentric mating even with well worn and/or carelessly handled connectors.
- The pressure spring** that maintains a constant, even force on the male contact when mated. The leading edge of the spring is chamfered to slide smoothly on the male contact, preserving the gold-plated surface treatment and preventing undue wear.

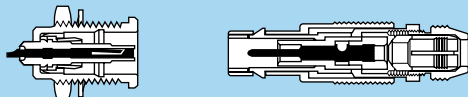
Contact Material

LEMO female electrical contacts are made from bronze (UNS C 54400). Bronze is chosen because of its high modulus of elasticity, its excellent electrical conductivity and high mechanical strength.

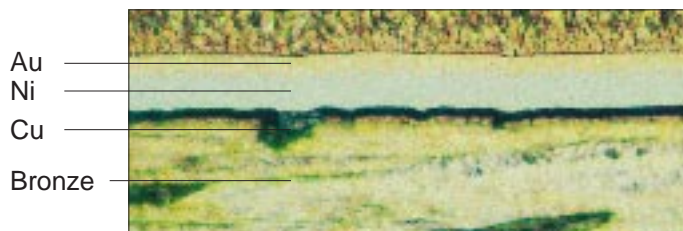
LEMO male solder and print contacts are made from brass (UNS C 38500). Male crimp contacts are made from brass (UNS C 34500) which is ideal for crimping onto the electrical conductor of the cable.

Conductor retention method

Both male and female contacts are available in crimp, solder or print versions.



Materials and Treatments



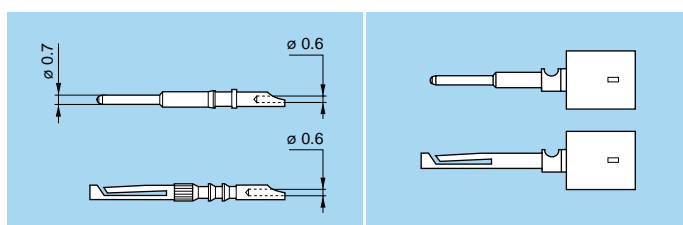
Notes: the standard surface treatments are as follows:

- Nickel QQ-N-290A or MIL-C-26074C
- Gold MIL-G-45204C, type I, class 1.

Type	Material (Standard)	Surface treatment (µm)		
		Cu	Ni	Au
Male solder	Brass (UNS C 38500)	0.5	3	1.5
Male crimp	Brass (UNS C 34500)			
Male print	Brass (UNS C 38500)			
Female solder	Bronze (UNS C 54400)	0.5	3	2.0
Female crimp				
Female print				

Solder Contacts

The solder pot of these contacts is machined at an angle to form a cup into which the solder can flow.

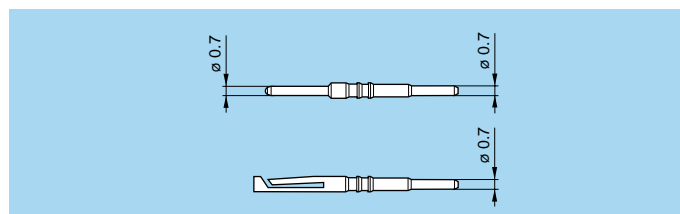


Features of the LEMO crimp contacts:

- Quick and simple assembly
- Insulator is not heated during contact-to-conductor assembly
- High temperature applications possible
- Increased conductor retention force

Print contacts

Print contacts are available in certain connectors versions, mostly for the straight or elbow receptacles models. Connection is made on flexible or rigid printed circuits by soldering



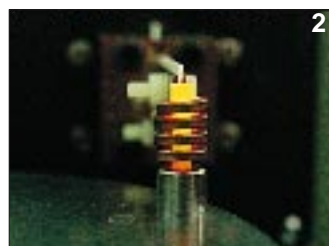
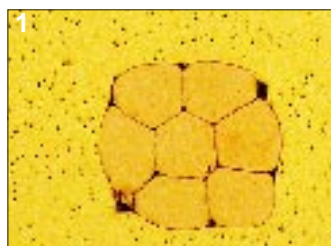
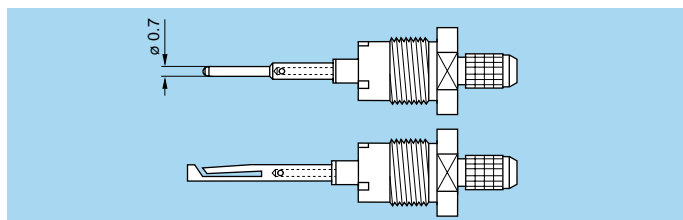
Crimp Contacts

The square form crimp method is used (MIL-C-22520F, type 2) (photo 1).

The crimp method requires a controlled compression to obtain a symmetrical deformation of the conductor strand and of the contact material. The inspection hole in the side of the contact verifies correct positioning of the conductor within the contact. A good crimping is characterized by a small conductor section reduction and by the quite closed free spaces.

The LEMO crimp contacts are factory annealed to relieve internal stresses, and reduce the risk of the material work hardening during the crimping process.

During this process, an induction heating machine designed by LEMO's Research and Development Department is used (photo 2).



Contact Resistance in Relation to Number of Mating Cycles

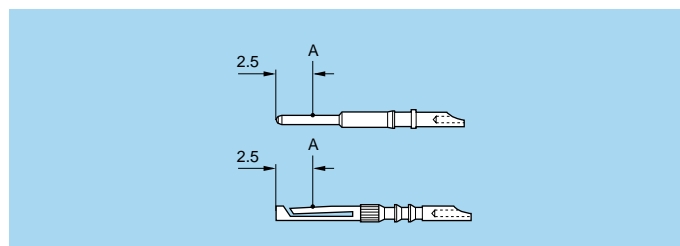
(Corrosion according to MIL-STD-202, method 101D).

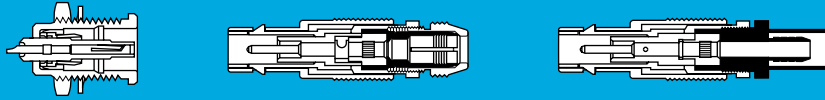
Contact resistance (mΩ)		
1000 cycles	3000 cycles	5000 cycles
5.6	5.7	6.1

Thickness comparison between the outside and the inside of female contacts

male (µm)	Gold thickness ¹⁾	
	female outside (µm)	female inside (%)
1.5	2	60

Note: 1) minimal thickness according to MIL-G-45204C, type I, class 1.
A = test point





Cable Fixing

Cable fixing onto LEMO connectors is determined by the connector model. This is achieved either with a cable collet system or with hexagonal crimping (MIL-C-22520F, type 2).

The collet system cable fixing is made without any special tooling. The crimping method guarantees a good electrical continuity of the shield which improves greatly the shielding efficiency of the cable/connector link.

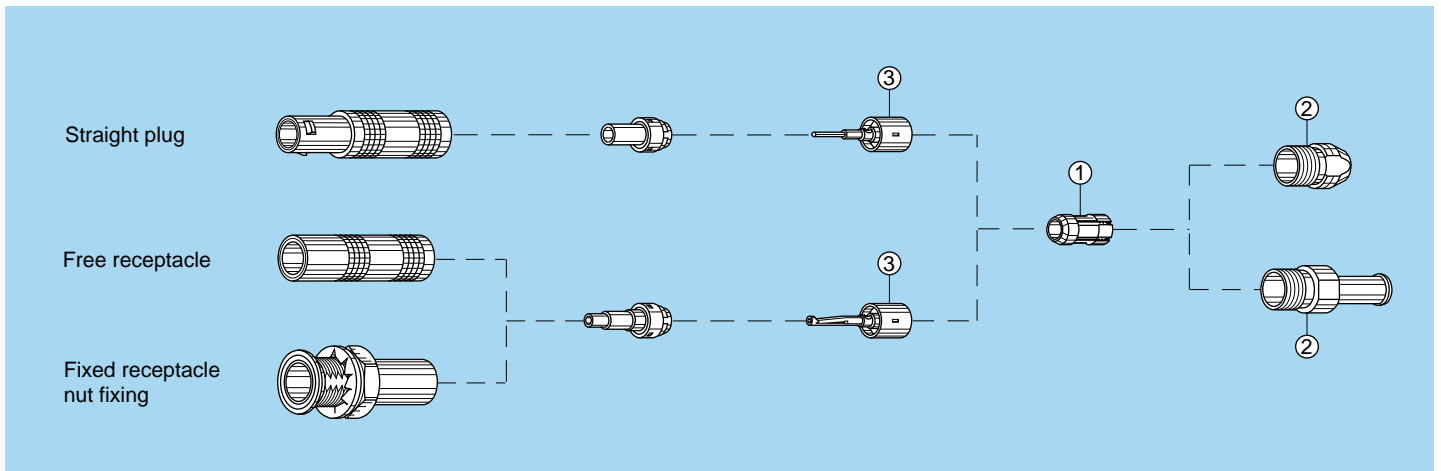
Material and Treatment

Component	Material (Standard)	Surface Treatment (µm)	
		Cu	Ni
Earthing sleeve	Brass (UNS C 38500)	0.5	3
Collet	Brass (UNS C 38500)	0.5	3
Crimp ferrule	Copper (UNS C 18700)	0.5	3
Collet nut	Brass (UNS C 38500)	0.5	3

Note: collet nut tightening torque: maximum 0.25 Nm (1N = 0.102 kg)

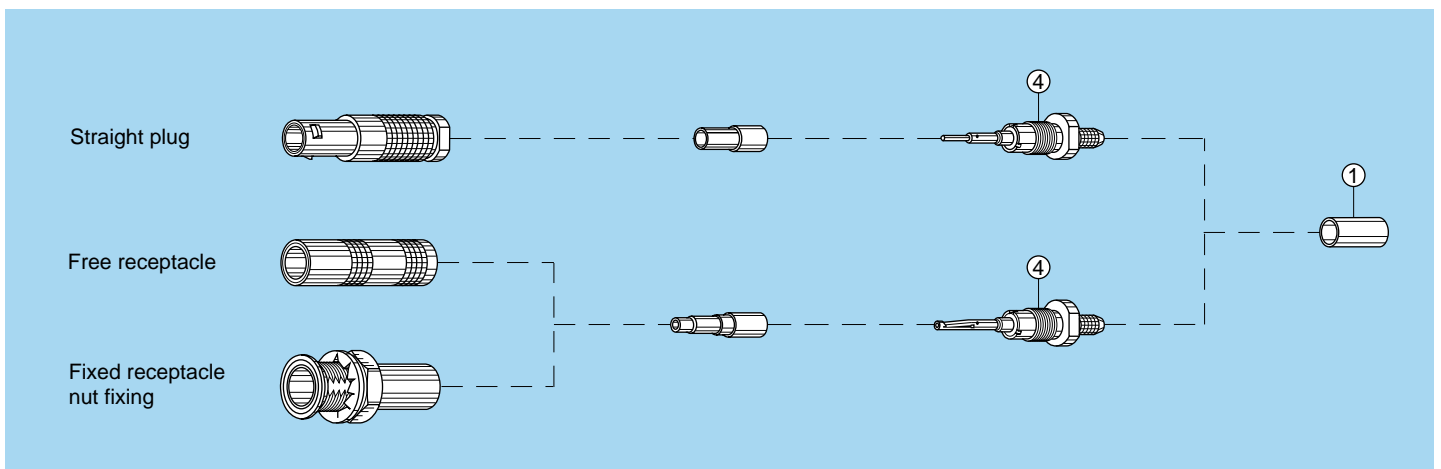
Type C Cable Clamping

This system has an earthing sleeve ③ and a collet ① which is compressed by the collet nut ② to ensure a good clamp onto the cable. When assembling the connector, the cable shield is gripped between the earthing sleeve and the collet.



Type E Crimping

The back end of the crimp nut ④ which receives the shield braid, is milled to ensure good conductivity once crimped.



Series 00 (NIM-CAMAC-CD/N 549)

Introduction

The 00 series is a range of 50 Ω coaxial connectors. They are suitable for a wide variety of applications particularly in measurement, control system and nuclear physics, having formed the basis for the NIM-CAMAC-CD/N 549 standard. LEMO 00 connectors offer customers many benefits including:

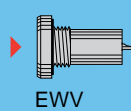
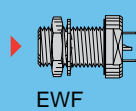
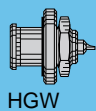
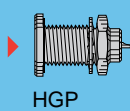
- Self-latching push-pull system
- Aesthetically pleasing appearance
- Small size
- High packing density
- Rugged construction
- Ease of use
- Low weight
- Reliable performances
- Wide choice to suit application

Interconnections

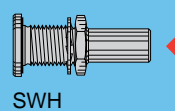
Straight and elbow plugs		Straight and elbow receptacles		Straight receptacles		Straight couplers	
			Plugs with resistance				

Watertight or vacuumtight models

Straight receptacles



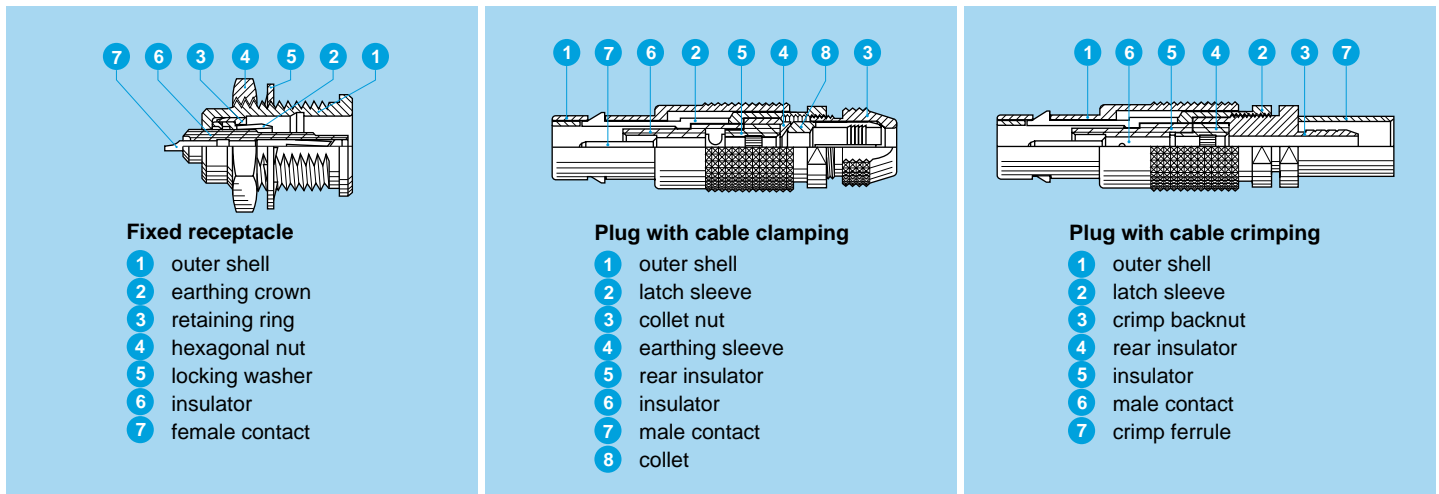
Straight coupler



Models Description

ABA Adapter from LEMO receptacle to BNC plug	EPA Straight receptacle for printed circuit	FAB Straight plug, non-latching, riveted fixing
ABB Adapter from LEMO fixed receptacle to BNC receptacle	EPB Straight receptacle for printed circuit (long studs)	FFA Straight plug with cable collet
ABC Adapter from LEMO receptacle to BNC receptacle	EPC Straight receptacle for printed circuit with clearance under the body	FFA Straight plug with cable collet and nut for fitting a strain relief
ABD Adapter from LEMO receptacle to BNC fixed receptacle	EPE Straight receptacle with two nuts for printed circuit	FFC Straight plug with flats on latch sleeve and cable collet
ABF Adapter from LEMO plug to BNC receptacle	EPK Elbow receptacle (90°) for printed circuit with clearance under the body	FFE Straight plug with front sealing ring, cable collet and nut for fitting a strain relief
ACA Adapter from LEMO receptacle to C plug	EPL Elbow receptacle (90°) for printed circuit	FFF Straight plug, non-latching, with cable collet
ACB Adapter from LEMO receptacle to C receptacle	EPM Elbow receptacle (90°) for printed circuit (long studs)	FFS Straight plug with cable crimping
AGG Adapter from LEMO receptacle to General-Radio receptacle type 874	EPN Straight receptacle for press mounting in pair on printed circuit,	FFY Straight plug with cable collet
AGH Adapter from LEMO receptacle to UHF plug	EPS Elbow receptacle (90°) with two nuts for printed circuit	FFV Straight plug for cable crimping with improved screen efficiency
ANA Adapter from LEMO receptacle to N plug	EPY Elbow receptacle (90°) for printed circuit with two vertical receptacles	FLA Elbow plug (90°) with cable collet
ANB Adapter from LEMO receptacle to N receptacle	ERA Fixed receptacle, nut fixing	FLR Elbow plug (90°) with resistor
ANC Adapter from LEMO receptacle to N fixed receptacle	ERC Fixed receptacle, nut fixing, with slots in flange	FLS Elbow plug (90°) for cable crimping
APF Adapter from LEMO plug to CINCH receptacle	ERE Fixed receptacle, nut fixing, with conical lead in	FLV Elbow plug (90°) for cable crimping with improved screen efficiency
ASA Adapter from LEMO receptacle to SMA plug	ERM Fixed receptacle, nut fixing, with micro-switch	FPA Straight plug, non-latching, for printed circuit
ASB Adapter from LEMO receptacle to SMA receptacle	ERN Fixed receptacle, nut fixing, with tags	FPL Elbow plug (90°) non-latching for printed circuit
ASF Adapter from LEMO plug to SMA receptacle	ERT Straight receptacle without thread, force or adhesive fit	FRT Straight plug with resistor or shorted
ASG Adapter from LEMO plug to SMA plug	EWF Fixed receptacle, nut fixing, with tags, vacuumtight, (back panel mounting)	FTA T-plug with two receptacles in line
ECP Straight receptacle with two nuts	EWV Fixed receptacle, vacuumtight	FTL T-plug with two receptacles (90°)
	FAA Straight plug, non-latching, nut fixing	FTR Elbow plug (90°) with one receptacle
		FTY Straight plug with two parallel receptacles
		HGP Fixed receptacle, nut fixing, watertight
		HGW Fixed receptacle, nut fixing, with rear sealing ring
		PCA Free receptacle with cable collet

Part Section Showing Internal Components



Models with collet nut for fitting a strain relief

To order models with a collet nut for fitting a strain relief, add a "Z" in the "variant" position (see page 12) of the part number. Strain reliefs are available in nine colors and several sizes to accommodate different cable outside diameters. They are ordered separately as indicated in the "Accessories" section.

Watertight/Vacuumtight models

The fixed receptacles and couplers, models HGP, HGW, EWF, EWV, SWH allow the device on which they are

fitted to reach a protection index of IP66 as per IEC 529 (unmated). They are fully compatible with the non watertight models of the same series and are widely used for portable radios, ship installations and in aircraft.

Specially prepared & tested versions of these models are available for vacuumtight applications guaranteeing a leakage level of less than 10^{-6} mbar.l.s⁻¹ (as per MIL-STD-1344A standard method 1008). A vacuumtight model is identified by the letter at the end of the part number (certification on request).

To seal both the watertight and vacuumtight models, LEMO uses an epoxy resin.

Technical Characteristics

Mechanical and climatical

Characteristics	Value	Standard	Method
Contact retention force	> 18 N	MIL-STD-1344A	2007.1
Cable pull off force	> 100 N	MIL-STD-1344A	2009.1
Connector pull off force	> 90 N		
Endurance	> 1000 cycles	MIL-STD-1344A	2016
Operating temperature ¹⁾	- 55°C + 260°C		

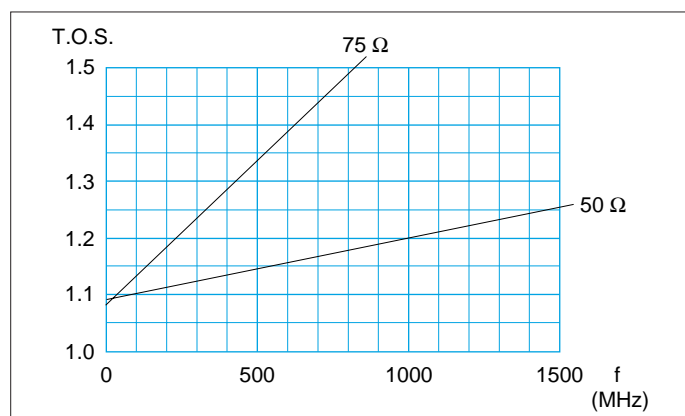
Note: 1) to seal both the watertight and vacuumtight models, LEMO uses and epoxy resin. The operating temperature is -20°C and +80°C for sealed models.

Electrical

Characteristics	Value	Standard	Method
Impedance	50 Ω		
Operating voltage (50 Hz)	0.7 kV AC	IEC 130-1 1 st ed.	§ 14.5
Test voltage (50 Hz)	2.1 kV AC	MIL-STD-1344A	3001.1
Rated current	4 A	IEC 512-3	
Contact resistance	< 6 mΩ	MIL-STD-202 F	307
Screen resistance	< 3.5 mΩ	MIL-STD-1344A	3007
Insulating resistance	> 10 ¹² Ω	MIL-STD-1344A	3003.1
VSWR (f. in GHz)	50 Ω	1.09+0.11f	IEC 169-1-1
	75 Ω	1.08+0.51f	IEC 169-1-1

Voltage Standing Wave Ratio

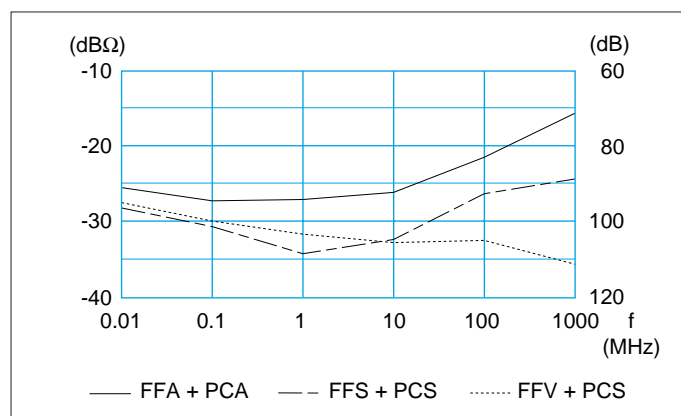
The VSWR (Voltage Standing Wave Ratio) is the value representing the power reflected in a connection. In most cases, the working frequency range is where $VSWR \leq 1.25$



Note: value for FFS plug and PCS receptacle mated (with PTFE insulator). Impedance measured 50 Ω with a RG-174 A/U cable and 75 Ω with a RG-179 B/U cable.

Screening efficiency (EMC properties) in dB (transfer impedance in dBΩ)

The screening efficiency is the ratio between the electromagnetic field inside the connector and a power source at the outside of the connector (or vice versa).



Note: measured according to IEC-169-1-3 standard.

Recommended cables

Cable group	Standard			Other cable	Imp. (Ω)
	MIL-C-17	IEC 96-2	CCTU 10-01A		
6	RG.58 C/U	50.3.1	KX 15	Belden 8262	50 ± 2 Ω
7	RG.142 B/U				50 ± 2 Ω
3	RG.174 A/U	50.2.1	KX 3A	Belden 8216	50 ± 2 Ω
				Lemo CCH.99.281.505	50 ± 2 Ω
1	RG.178 B/U	50.1.1	KX 21A	Belden 83265	50 ± 2 Ω
2	RG.179 B/U	75.2.1			75 ± 3 Ω
5	RG.180 B/U				95 ± 5 Ω
2	RG.187 A/U	75.2.2			75 ± 3 Ω
4	RG.188 A/U	50.2.3		Belden 83269	50 ± 2 Ω
1	RG.196 A/U	50.1.2			50 ± 2 Ω
4	RG.316 /U	50.2.2	KX 22A	Belden 83284	50 ± 2 Ω
3				Dätwyler HF-2114	50 ± 2 Ω
8				Storm 421 099	50 ± 2 Ω
8				H+S G02232D-60	50 ± 2 Ω

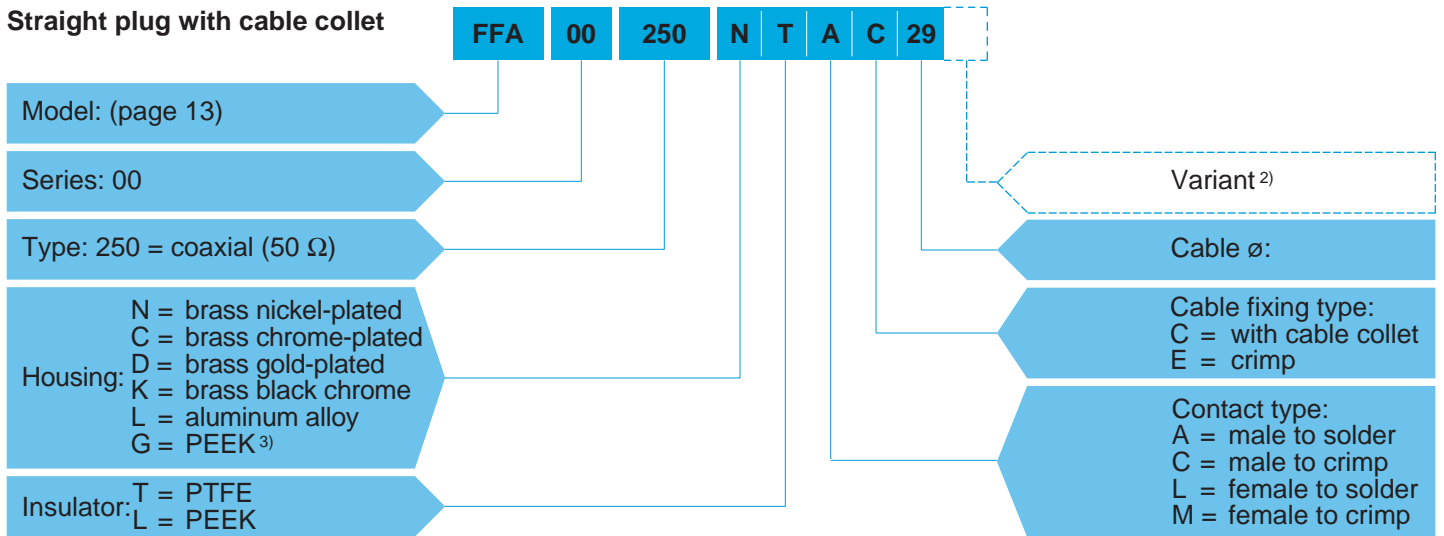
Color of connectors in anodized aluminum alloy

When ordering a connector with an aluminum alloy, the outer shell color must be chosen from the table variant listed below and included in the position of the part number.

Reference	Color
A	blue
J	yellow
N	black
R	red
T	natural
V	green

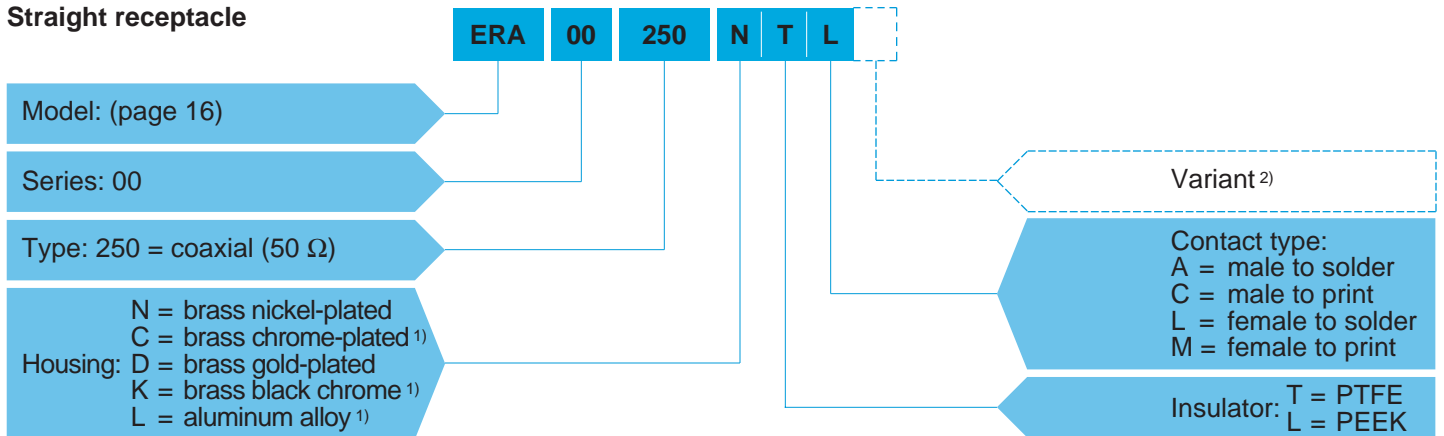
Part Number Example

Straight plug with cable collet



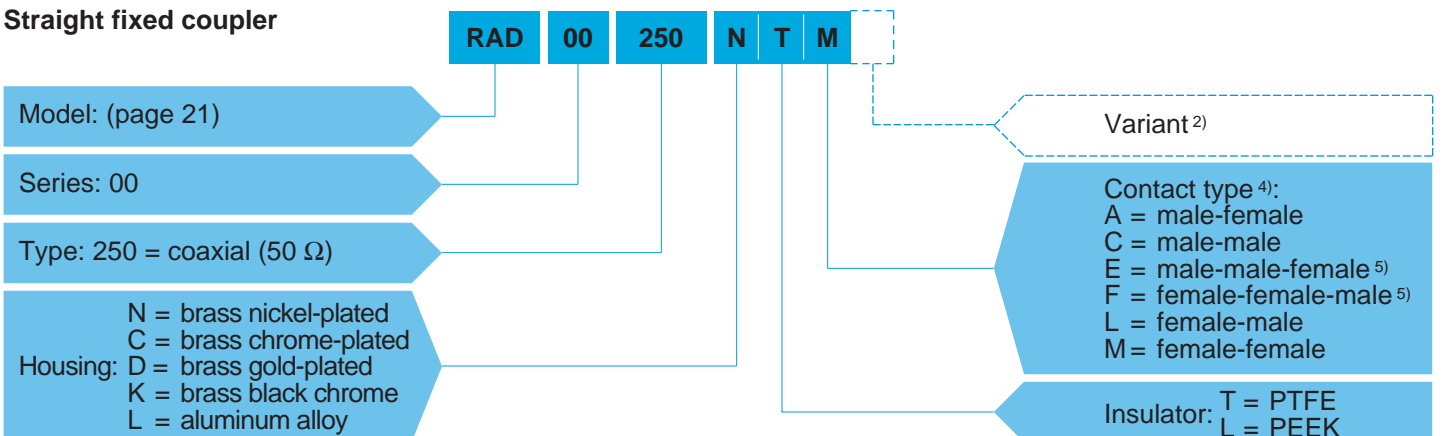
FFA.00.250.NTAC29 = straight plug with cable collet, series 00, coaxial type (50 Ω), outer shell in nickel-plated brass, PTFE insulator, male solder contact, C type collet of 2.9 mm diameter.

Straight receptacle



ERA.00.250.NTL = fixed receptacle, nut fixing, series 00, coaxial type (50 Ω), outer shell in nickel-plated brass, PTFE insulator, female solder contact.

Straight fixed coupler



RAD.00.250.NTM = straight fixed coupler, nut fixing, series 00, coaxial type (50 Ω), outer shell in nickel-plated brass, PTFE insulator, female-female contact.

Note: 1) treatment not available for the printed circuit models

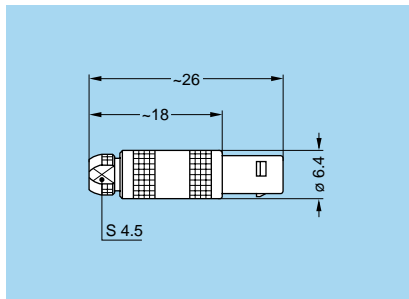
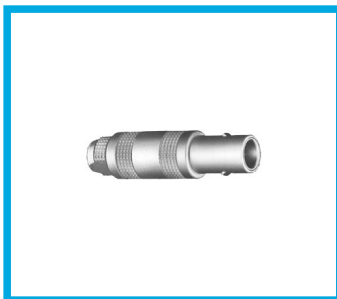
2) the "variant" position in the reference is used to specify the anodized color of the housing in aluminum alloy (page 11) or models with a collet nut for fitting a strain relief "Z". The strain relief can be ordered separately as indicated in the "Accessories" section.

3) available for the FFA model only

4) concerning the straight fixed couplers with nut fixing RAD and SWH, the first contact type mentioned is always the contact at the flange end.

5) used only for models: FTA, FTL and FTY.

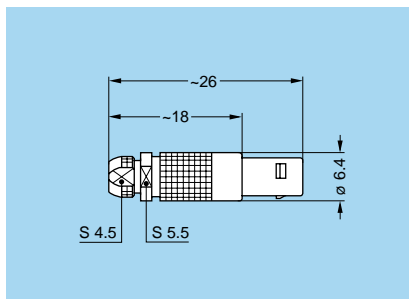
Models



FFA Straight plug with cable collet

Part number	Cable group	Note
FFA.00.250.NTAC22	1	●
FFA.00.250.NTAC29	2-3-4	●
FFA.00.250.NTAC31	8	●

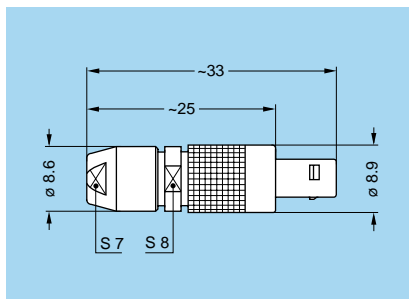
M1 Cable assembly



FFC Straight plug with flats on latch sleeve and cable collet

Part number	Cable group	Note
FFC.00.250.NTAC22	1	●
FFC.00.250.NTAC27	2-4	●
FFC.00.250.NTAC31	3-8	●

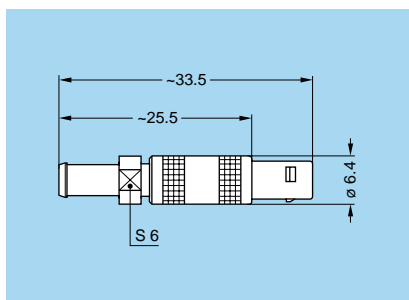
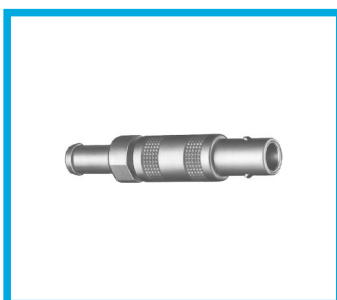
M3 Cable assembly



FFY Straight plug with cable collet

Part number	Cable group	Note
FFY.00.250.NTAC52	6-7	●

M2 Cable assembly

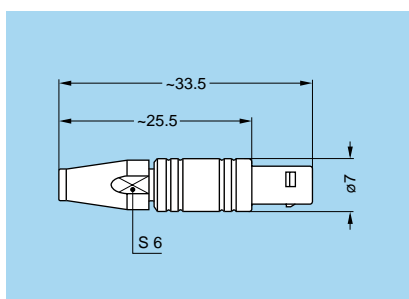


FFA Straight plug with cable collet and nut for fitting a strain relief

Part number	Cable group	Note
FFA.00.250.NTAC22Z	1	●
FFA.00.250.NTAC29Z	2-3-4	●
FFA.00.250.NTAC31Z	8	●

Note: the strain relief must be ordered separately (see page 29).

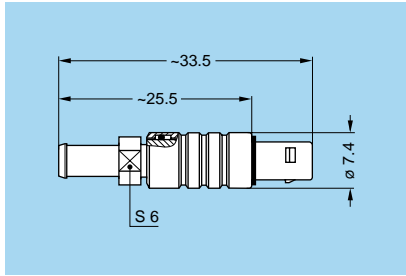
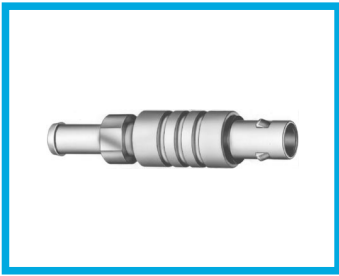
M1 Cable assembly



FFA Straight plug with cable collet, PEEK outer shell

Part number	Cable group	Note
FFA.00.250.GTAC22	1	●
FFA.00.250.GTAC29	2-3-4	●
FFA.00.250.GTAC31	8	●

M1 Cable assembly ● Available ○ On request

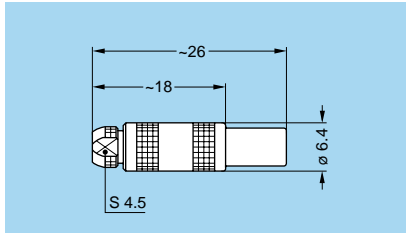
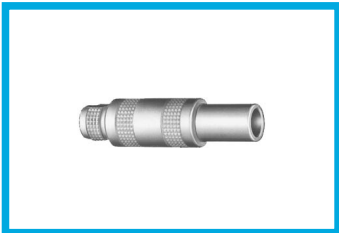


FFE Straight plug with front sealing ring, cable collet and nut for fitting a strain relief

Part number	Cable group	Note
FFE.00.250.NTAC22Z	1	○
FFE.00.250.NTAC29Z	2-3-4	○
FFE.00.250.NTAC31Z	8	○

Note: the strain relief must be ordered separately (see page 29).

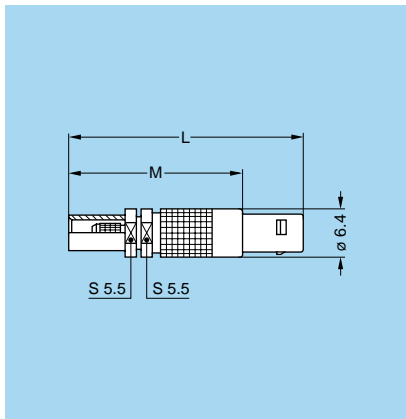
M1 Cable assembly



FFF Straight plug, non-latching, with cable collet

Part number	Cable group	Note
FFF.00.250.NTAC22	1	●
FFF.00.250.NTAC29	2-3-4	●
FFF.00.250.NTAC31	8	●

M1 Cable assembly



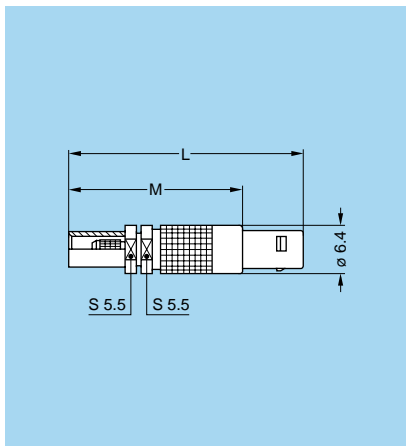
FFS Straight plug with cable crimping

Part number	Cable group	Dim.		Note
		L	M	
FFS.00.250.NTCE24	1	31	23	●
FFS.00.250.NTCE30	2	31	23	●
FFS.00.250.NTCE31	3-4	31	23	●
FFS.00.250.NTCE35	8	31	23	○
FFS.00.250.NTCE44	5	31	23	●
FFS.00.250.NTCE52	6	34	26	●
FFS.00.250.NTCE56	7	31	23	○

Note: the strain relief must be ordered separately (see page 29).

M4 Cable assembly, crimp contact

M5 Cable assembly, solder contact (on request)



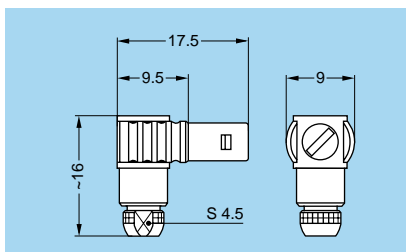
FFV Straight plug for cable crimping with improved screen efficiency

Part number	Cable group	Dim.		Note
		L	M	
FFV.00.250.NTCE24	1	31	23	○
FFV.00.250.NTCE30	2	31	23	○
FFV.00.250.NTCE31	3-4	31	23	○
FFV.00.250.NTCE35	8	31	23	●
FFV.00.250.NTCE44	5	31	23	○
FFV.00.250.NTCE52	6	34	26	○
FFV.00.250.NTCE56	7	31	23	●

Note: the strain relief must be ordered separately (see page 29).

M4 Cable assembly, crimp contact

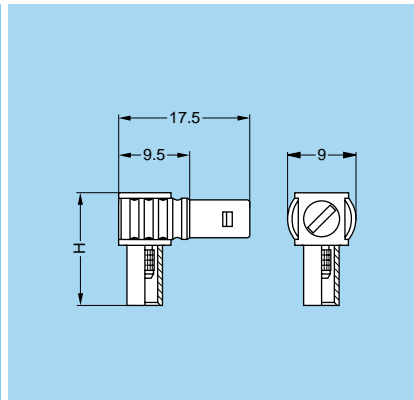
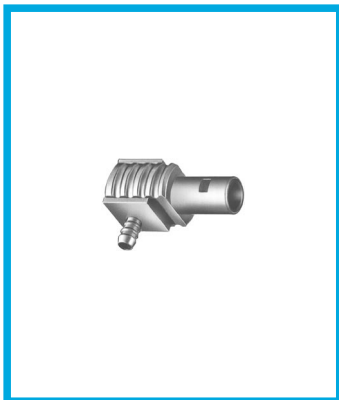
M5 Cable assembly, solder contact (on request)



FLA Elbow plug (90°) with cable collet

Part number	Cable group	Note
FLA.00.250.NTAC22	1	●
FLA.00.250.NTAC27	2-4	●
FLA.00.250.NTAC31	3-8	●

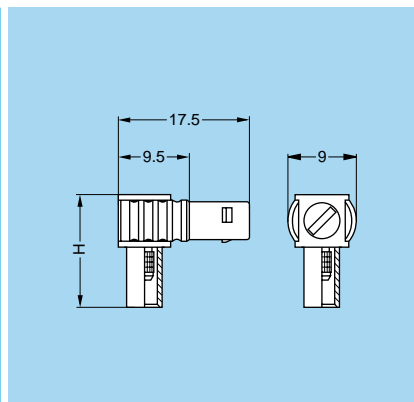
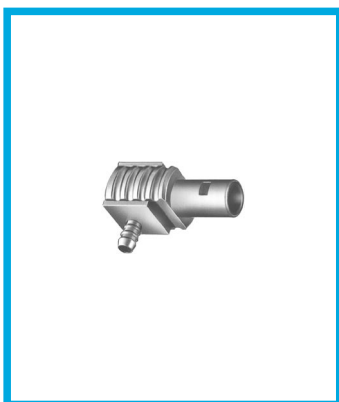
M6 Cable assembly ● Available ○ On request



FLS Elbow plug (90°) cable crimping

Part number	Cable group	H (mm)	Note
FLS.00.250.NTAE24	1	15	○
FLS.00.250.NTAE31	3-4	15	●
FLS.00.250.NTAE35	8	15	●
FLS.00.250.NTAE52	6	18	●
FLS.00.250.NTAE56	7	15	○

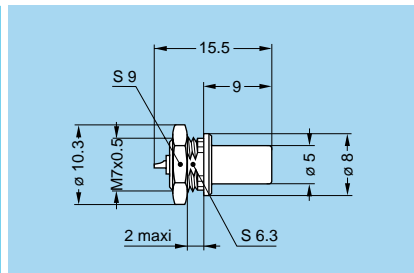
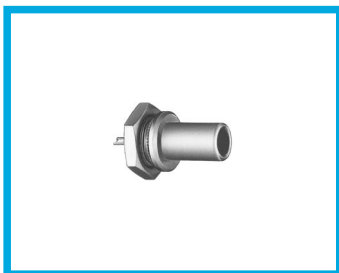
M7 Cable assembly



FLV Elbow plug (90°) cable crimping with improved screen efficiency

Part number	Cable group	H (mm)	Note
FLV.00.250.NTAE24	1	15	○
FLV.00.250.NTAE30	2	15	○
FLV.00.250.NTAE31	3-4	15	○
FLV.00.250.NTAE35	8	15	●
FLV.00.250.NTAE52	6	18	○
FLV.00.250.NTAE56	7	15	●

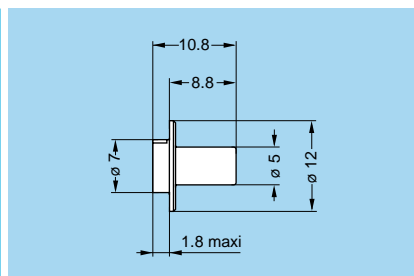
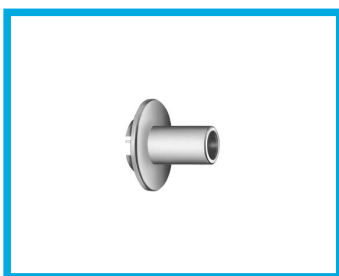
M7 Cable assembly



FAA Straight plug, non-latching, nut fixing

Part number	Weight (g)	Note
FAA.00.250.NTA	2.5	●

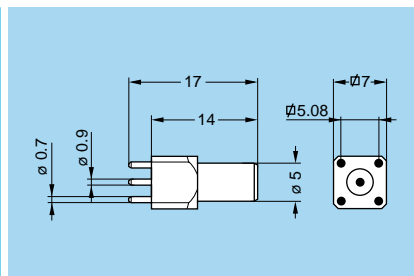
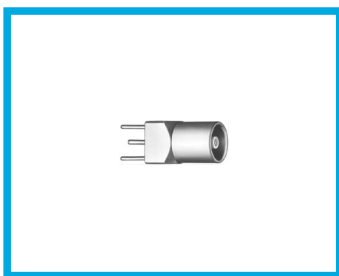
P5 Panel cut-out



FAB Straight plug, non-latching, riveted fixing

Part number	Weight (g)	Note
FAB.00.250.NTA	2.5	○

P1 Panel cut-out

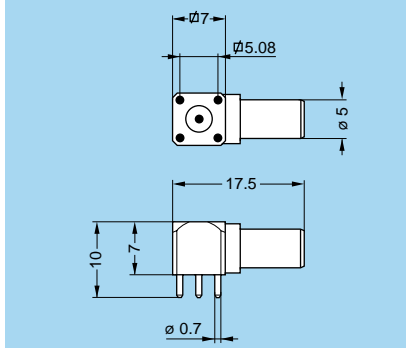
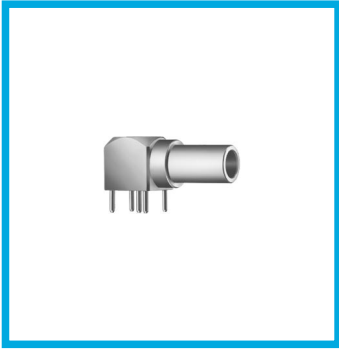


FPA Straight plug, non-latching, for printed circuit

Part number	Weight (g)	Note
FPA.00.250.NTD	2.5	●

P11 PCB drilling pattern

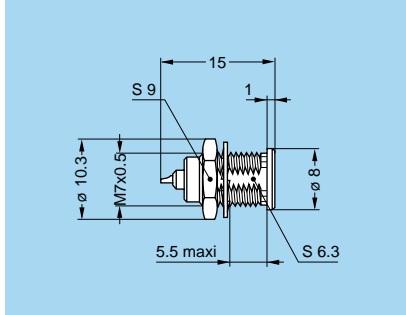
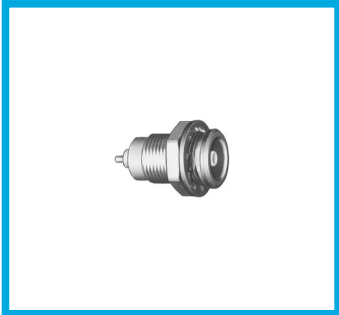
● Available ○ On request



FPL Elbow plug (90°), non-latching for printed circuit

Part number	Weight (g)	Note
FPL.00.250.NTD	2.5	●

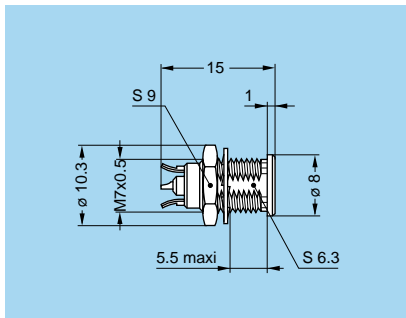
P10 PCB drilling pattern



ERA Fixed receptacle, nut fixing

Part number	Weight (g)	Note
ERA.00.250.NTL	2.8	●

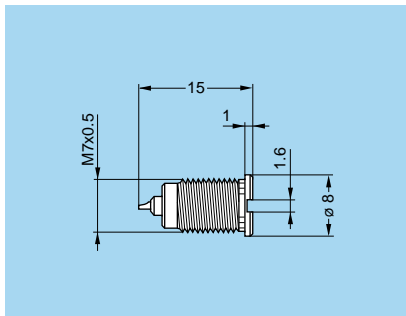
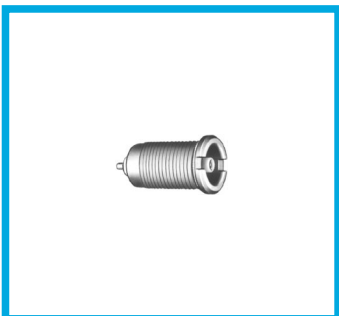
P5 Panel cut-out



ERN Fixed receptacle, nut fixing, with earthing tags

Part number	Weight (g)	Note
ERN.00.250.NTL	2.8	●

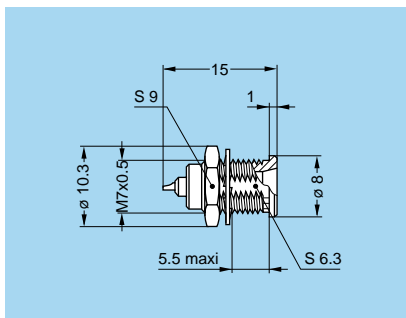
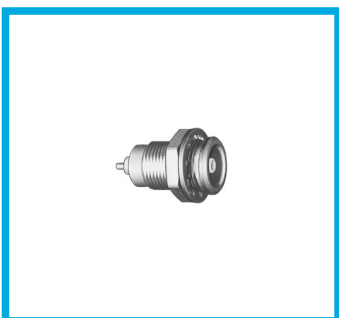
P5 Panel cut-out



ERC Fixed receptacle, nut fixing, with slots in flange

Part number	Weight (g)	Note
ERC.00.250.NTL	2.2	●

P3 Panel cut-out

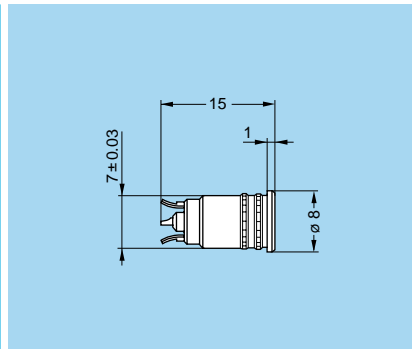


ERE Fixed receptacle, nut fixing, with conical lead-in

Part number	Weight (g)	Note
ERE.00.250.NTL	2.8	●

P5 Panel cut-out

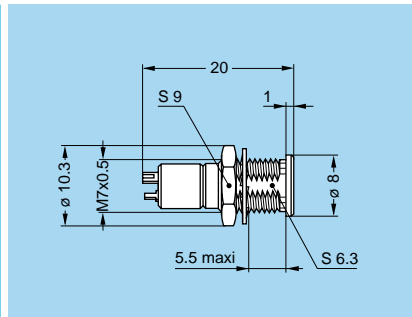
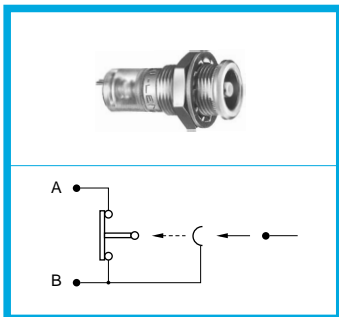
● Available ○ On request



ERT Straight receptacle without thread, force or adhesive fit

Part number	Weight (g)	Note
ERT.00.250.NTL	2.2	●

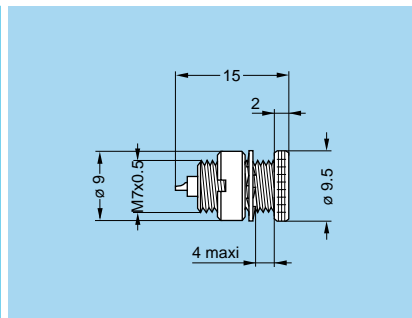
P4 Panel cut-out



ERM Fixed receptacle, nut fixing, with microswitch

Part number	Weight (g)	Note
ERM.00.250.NTL	3.0	●

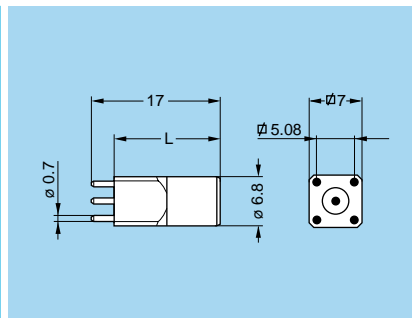
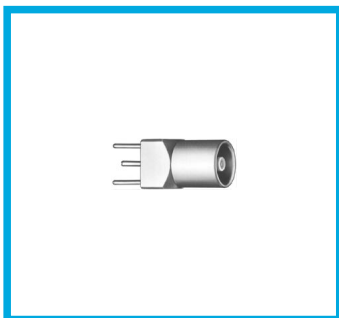
P5 Panel cut-out



ECP Fixed receptacle with two nuts

Part number	Weight (g)	Note
ECP.00.250.NTL	3.3	●

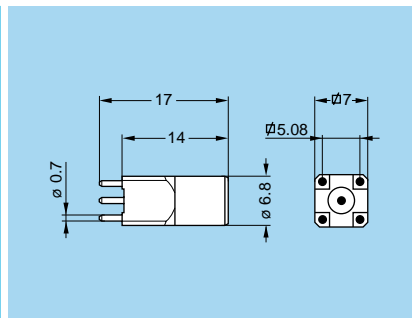
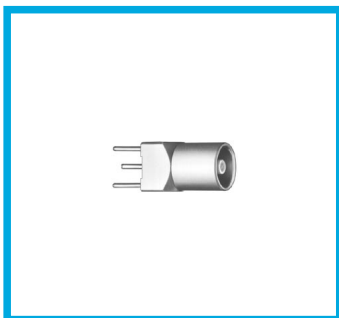
P1 Panel cut-out



EPA-EPB Straight receptacle for printed circuit

Part number	L (mm)	Weight (g)	Note
EPA.00.250.NTN	14	3.4	●
EPB.00.250.NTN	12	3.3	●

P10 PCB drilling pattern

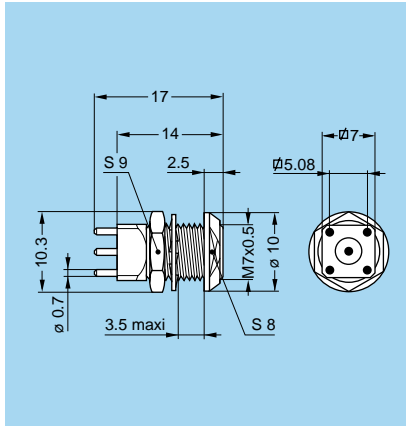
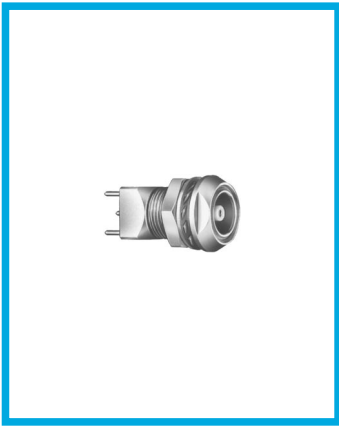


EPC Straight receptacle for printed circuit with clearance under the body

Part number	Weight (g)	Note
EPC.00.250.NTN	3.3	●

P10 PCB drilling pattern

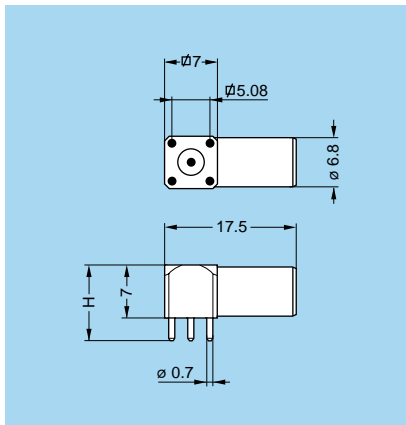
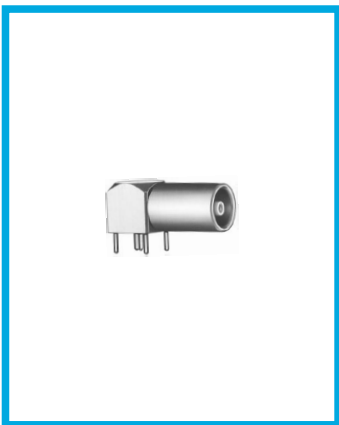
● Available ○ On request



EPE Fixed receptacle with two nuts, for printed circuit

Part number	Weight (g)	Note
EPE.00.250.NTN	4.2	●

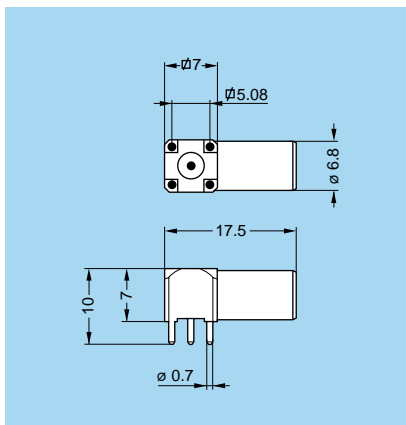
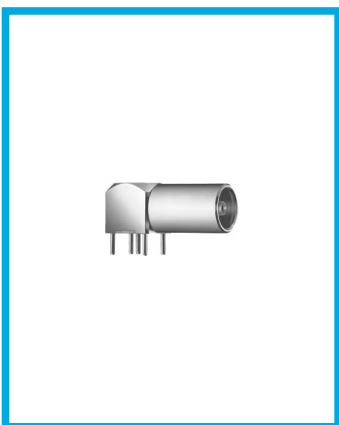
- P1** Panel cut-out
- P12** PCB drilling pattern



EPL-EPM Elbow receptacle (90°) for printed circuit

Part number	H (mm)	Weight (g)	Note
EPL.00.250.NTN	10	4.3	●
EPM.00.250.NTN	13	4.5	●

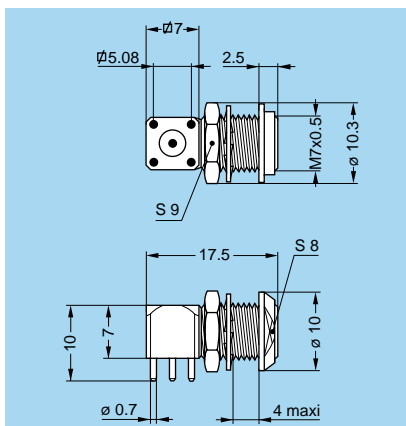
- P10** PCB drilling pattern



EPK Elbow receptacle (90°) for printed circuit with clearance under the body

Part number	Weight (g)	Note
EPK.00.250.NTN	4.2	●

- P10** PCB drilling pattern

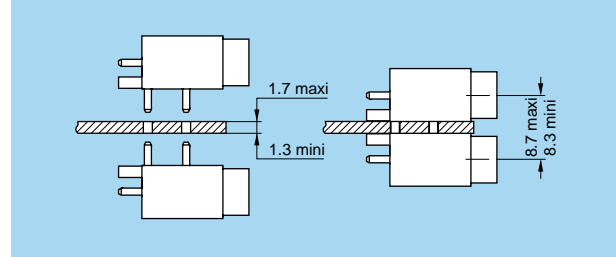
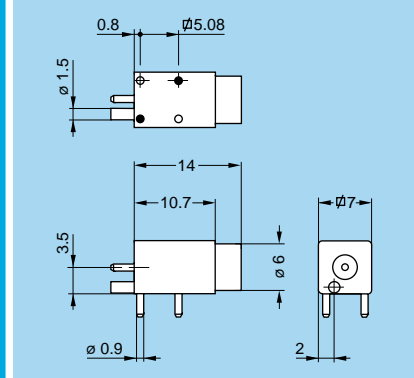
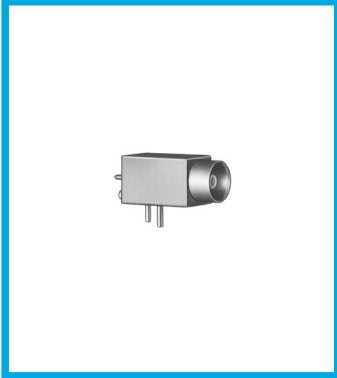
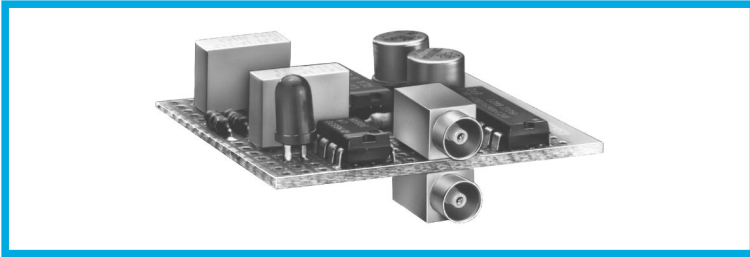


EPS Elbow receptacle (90°) with two nuts, for printed circuit

Part number	Weight (g)	Note
EPS.00.250.NTN	5.3	●

- P1** Panel cut-out
- P12** PCB drilling pattern

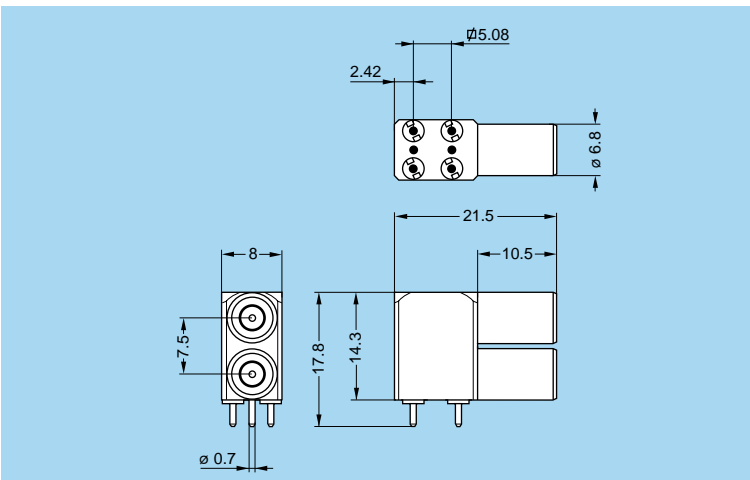
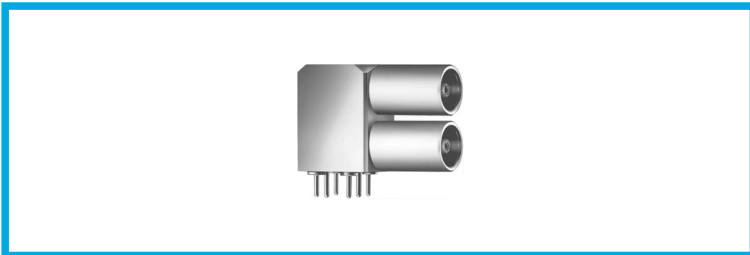
● Available ○ On request



EPN Straight receptacle for press mounting in pair on printed circuit

Part number	Weight (g)	Note
EPN.00.250.NTN	3.6	●

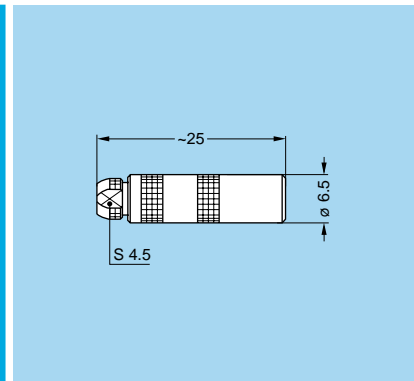
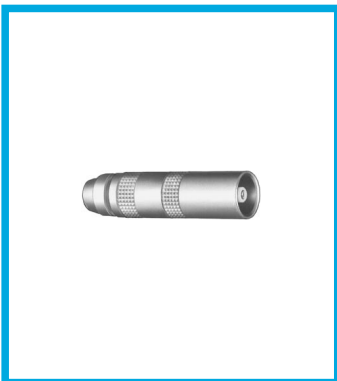
P9 PCB drilling pattern



EPY Elbow receptacle (90°) for printed circuit, with two vertical receptacles

Part number	Weight (g)	Note
EPY.00.250.NTN	12.8	●

P13 PCB drilling pattern

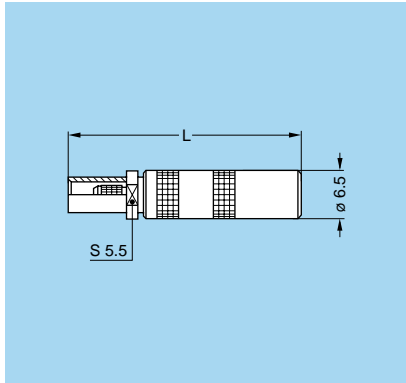


PCA Free receptacle with cable collet

Part number	Cable group	Note
PCA.00.250.NTLC22	1	●
PCA.00.250.NTLC29	2-3-4	●
PCA.00.250.NTLC31	8	●

M1 Cable assembly

● Available ○ On request

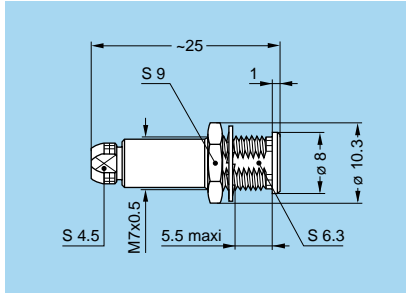
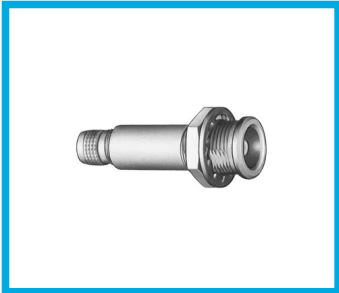


PCS Free receptacle with cable crimping

Part number	Cable group	Dim.	Note
		L	
PCS.00.250.NTME24	1	30	●
PCS.00.250.NTME30	2	30	●
PCS.00.250.NTME31	3-4	30	●
PCS.00.250.NTME35	8	30	○
PCS.00.250.NTME44	5	30	●
PCS.00.250.NTME52	6	33	●

Note: the strain relief must be ordered separately (see page 29).

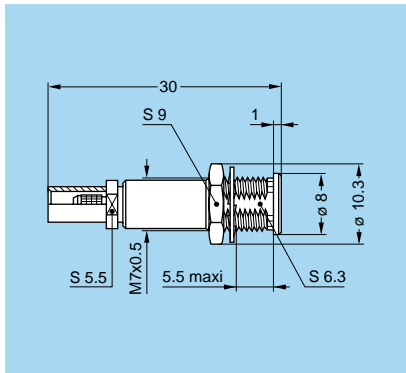
- M4** Cable assembly, crimp contact
- M5** Cable assembly, solder contact (on request)



PSA Fixed receptacle, nut fixing, with cable collet

Part number	Cable group	Note
PSA.00.250.NTLC22	1	●
PSA.00.250.NTLC29	2-3-4	●
PSA.00.250.NTLC31	8	●

- M1** Cable assembly
- P5** Panel cut-out

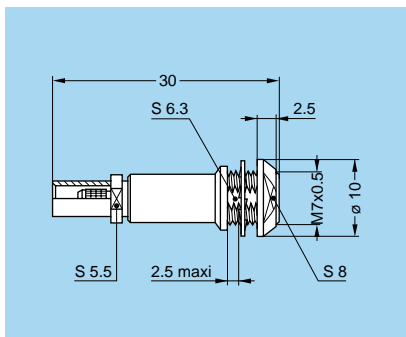
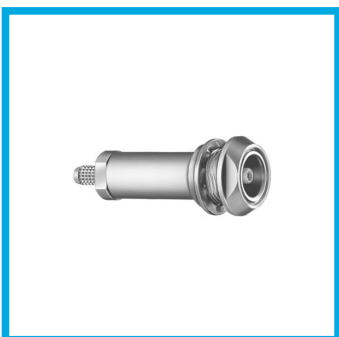


PSS Fixed receptacle, nut fixing, with cable crimping

Part number	Cable group	Note
PSS.00.250.NTME24	1	●
PSS.00.250.NTME30	2	●
PSS.00.250.NTME31	3-4	●
PSS.00.250.NTME35	8	○

Note: the strain relief must be ordered separately (see page 29).

- M4** Cable assembly, crimp contact
- M5** Cable assembly, solder contact (on request)
- P5** Panel cut-out

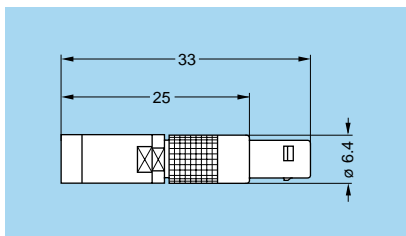
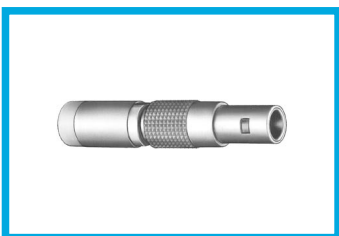


PES Fixed receptacle, nut fixing, with cable crimping (back panel mounting)

Part number	Cable group	Note
PES.00.250.NTME31	3-4	●
PES.00.250.NTME35	8	●

Note: the strain relief must be ordered separately (see page 29).

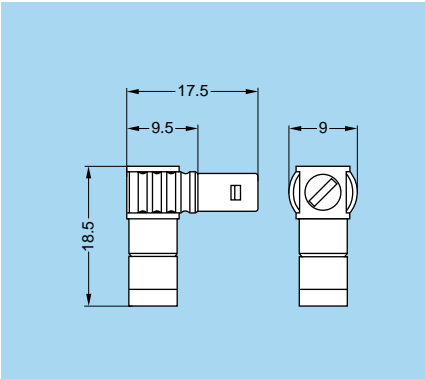
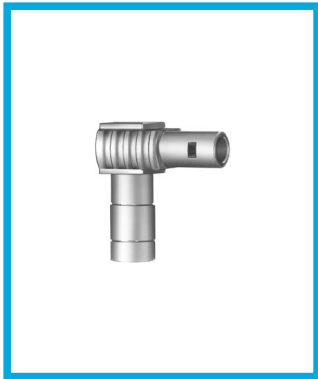
- M4** Cable assembly, crimp contact
- M5** Cable assembly, solder contact (on request)
- P5** Panel cut-out



FRT Straight plug with resistor or shorted

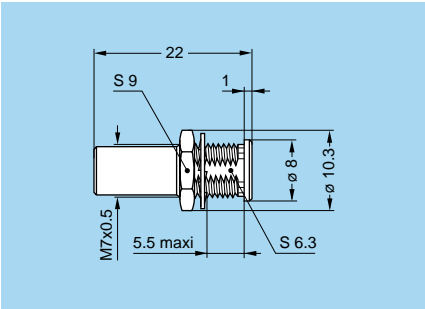
Part number	Resistor	Weight (g)	Note
FRT.00.250.NTA00	shorted	4.4	○
FRT.00.250.NTA50	50 Ω 1/8W	4.4	●

● Available ○ On request



FLR Elbow plug (90°) with resistor

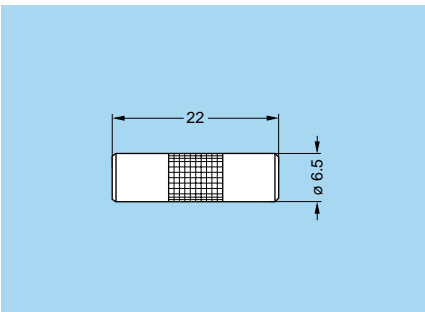
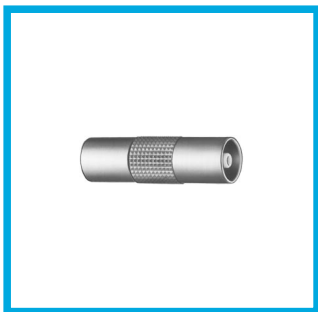
Part number	Resistance	Weight (g)	Note
FLR.00.250.NTA50	50 Ω 1/8W	5.6	●



RAD Fixed coupler, nut fixing

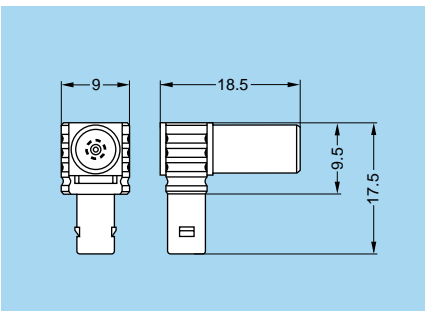
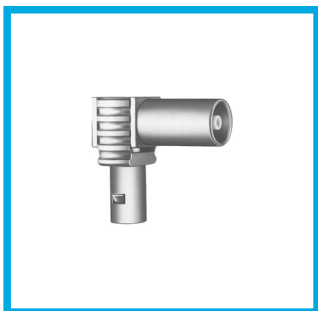
Part number	Weight (g)	Note
RAD.00.250.NTM	3.8	●

P5 Panel cut-out



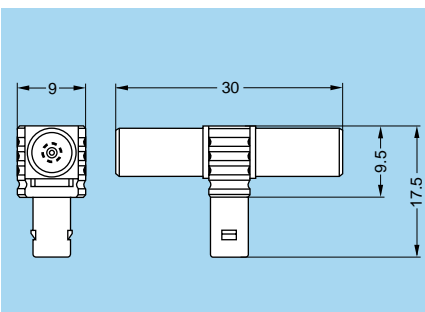
RMA Free coupler

Part number	Weight (g)	Note
RMA.00.250.NTM	2.7	●



FTR Elbow plug (90°) with receptacle

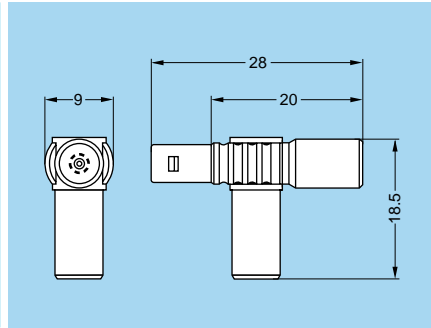
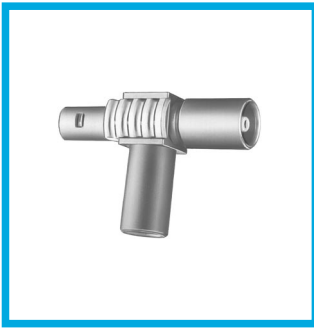
Part number	Weight (g)	Note
FTR.00.250.NTA	5.4	●



FTA T-plug with two in-line receptacles

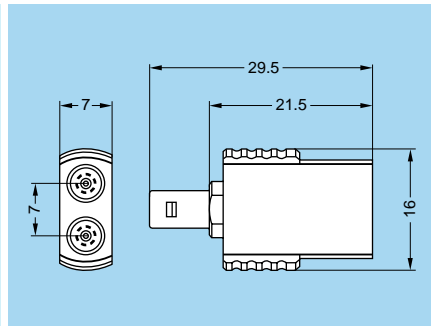
Part number	Weight (g)	Note
FTA.00.250.NTF	7.8	●

● Available ○ On request



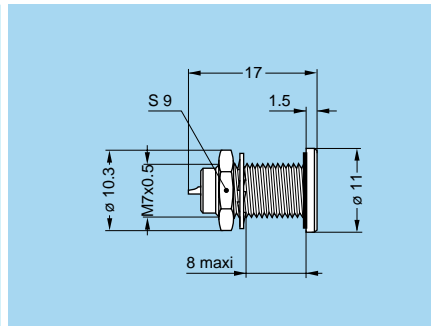
FTL T-plug with two receptacles (90°)

Part number	Weight (g)	Note
FTL.00.250.NTF	7.1	●



FTY Straight plug with two parallel receptacles

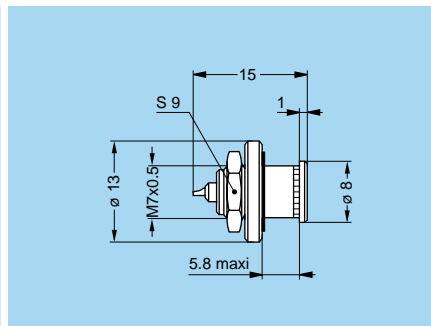
Part number	Weight (g)	Note
FTY.00.250.NTF	12.5	●



HGP Fixed receptacle, nut fixing, watertight

Part number	Weight (g)	Note
HGP.00.250.NTLP	4.2	●

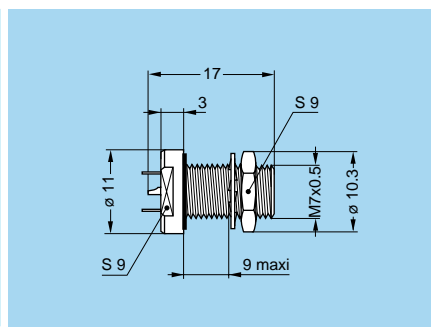
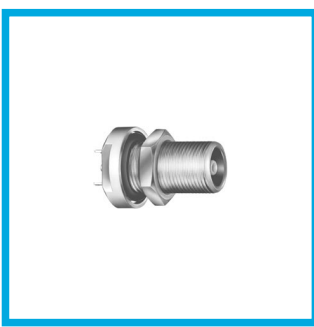
P1 Panel cut-out



HGW Fixed receptacle, nut fixing, with rear sealing ring

Part number	Weight (g)	Note
HGW.00.250.NTLP	4.2	●

P1 Panel cut-out

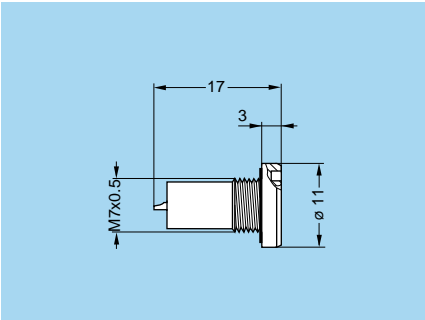
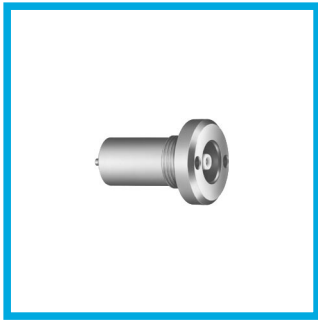


EWF Fixed receptacle, nut fixing, vacuumtight (back panel mounting)

Part number	Weight (g)	Note
EWF.00.250.NTLPV	4.2	●

P1 Panel cut-out

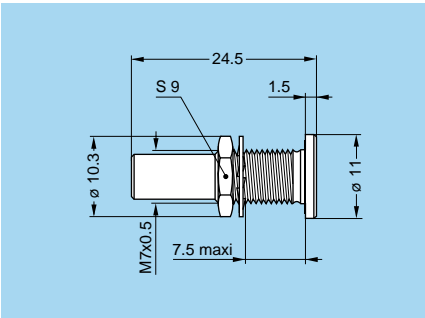
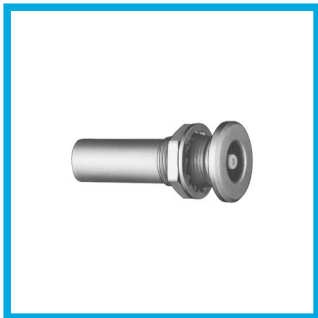
● Available ○ On request



EWV Fixed receptacle, vacuumtight

Part number	Weight (g)	Note
EWV.00.250.NTLPV	3.7	●

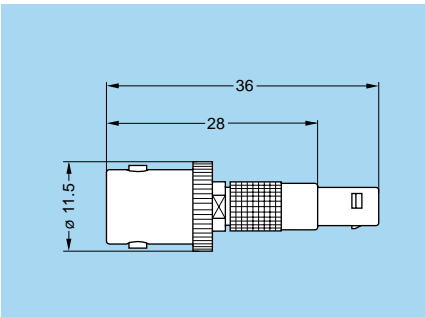
P2 Panel cut-out



SWH Fixed coupler, nut fixing, vacuumtight

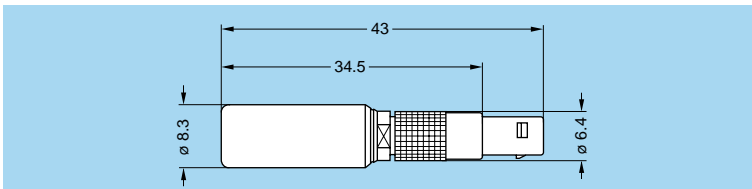
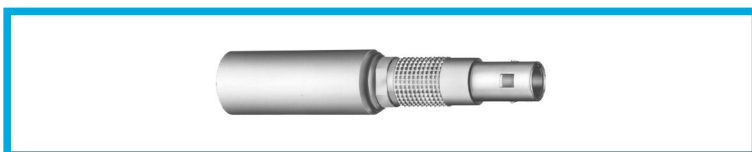
Part number	Weight (g)	Note
SWH.00.250.NTMV	5.2	●

P1 Panel cut-out



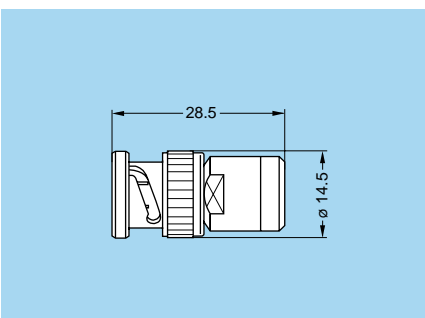
ABF Adaptor from LEMO plug to BNC receptacle

Part number	Weight (g)	Note
ABF.00.250.NTA	8.3	●



APF Adaptor from LEMO plug to CINCH receptacle

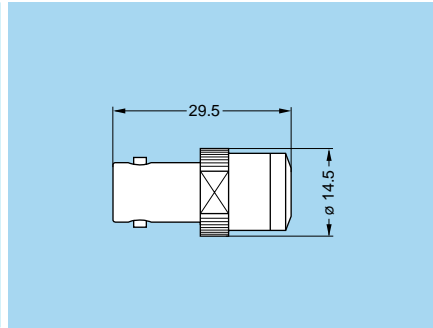
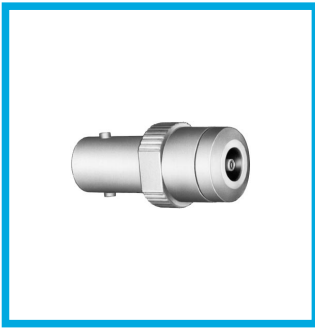
Part number	Colour of the ring	Weight (g)	Note
APF.00.250.DTAB	white	7	●
APF.00.250.DTAR	red	7	●



ABA Adaptor from LEMO receptacle to BNC plug

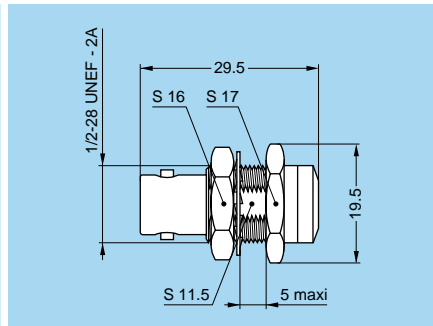
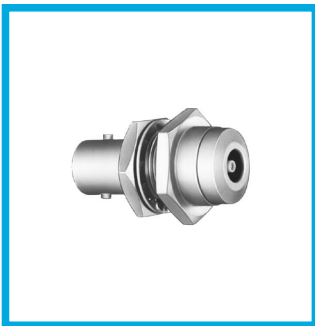
Part number	Weight (g)	Note
ABA.00.250.NTL	18.7	●

● Available ○ On request



ABC Adaptor from LEMO receptacle to BNC receptacle

Part number	Weight (g)	Note
ABC.00.250.NTM	17	●



ABD Adaptor from LEMO receptacle to BNC fixed receptacle

Part number	Weight (g)	Note
ABD.00.250.NTM	21.4	●

P7 Panel cut-out

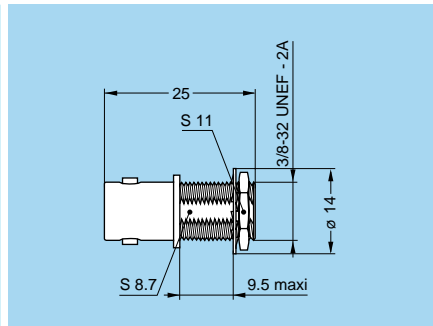
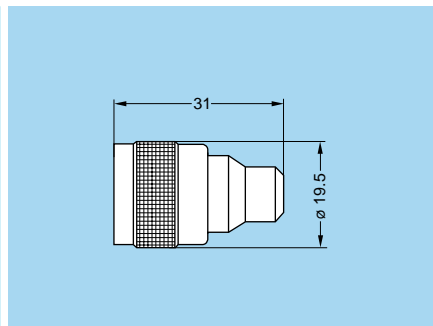


ABB Adaptor from LEMO fixed receptacle to BNC receptacle

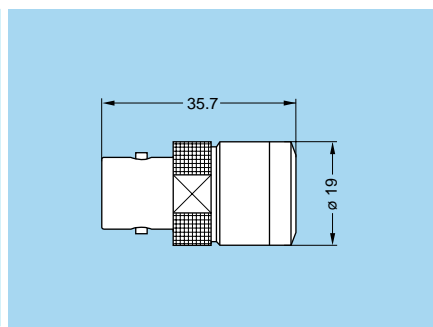
Part number	Weight (g)	Note
ABB.00.250.NTM	9.4	●

P6 Panel cut-out



ACA Adaptor from LEMO receptacle to C plug

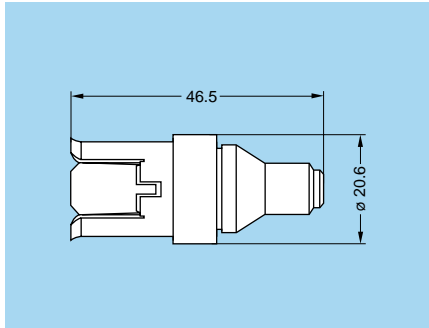
Part number	Weight (g)	Note
ACA.00.250.NTL	32	●



ACB Adaptor from LEMO receptacle to C receptacle

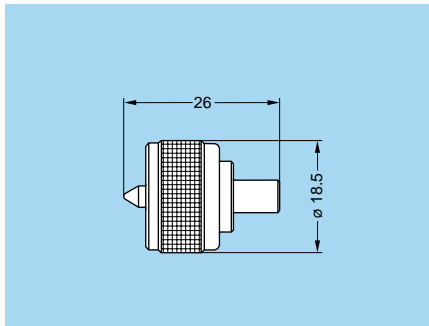
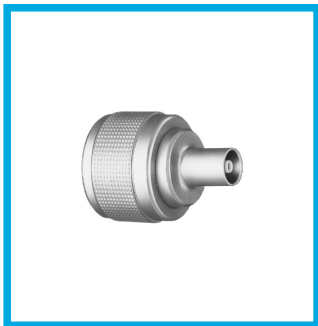
Part number	Weight (g)	Note
ACB.00.250.NTM	50.3	●

● Available ○ On request



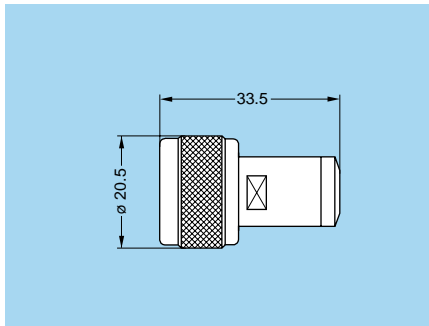
AGG Adaptor from LEMO receptacle to General-Radio receptacle type 874

Part number	Weight (g)	Note
AGG.00.250.NTM	20	●



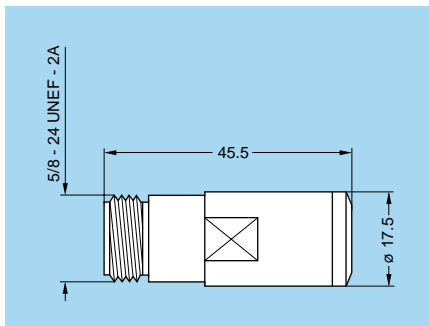
AGH Adaptor from LEMO receptacle to UHF plug

Part number	Weight (g)	Note
AGH.00.250.NTL	13.8	●



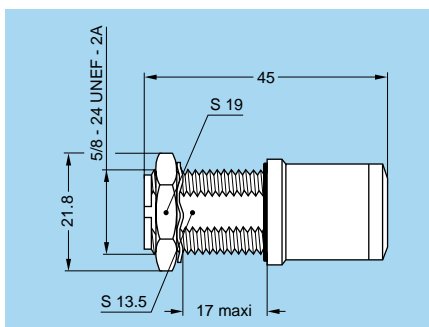
ANA Adaptor from LEMO receptacle to N plug

Part number	Weight (g)	Note
ANA.00.250.NTL	38	●



ANB Adaptor from LEMO receptacle to N receptacle

Part number	Weight (g)	Note
ANB.00.250.NTM	61.7	●

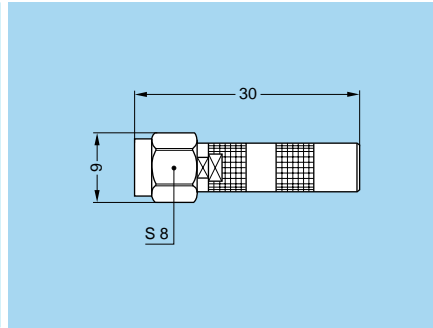
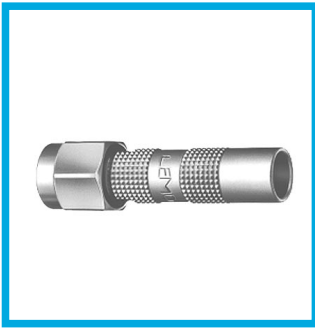


ANC Adaptor from LEMO receptacle to N fixed receptacle

Part number	Weight (g)	Note
ANC.00.250.NTM	63.5	●

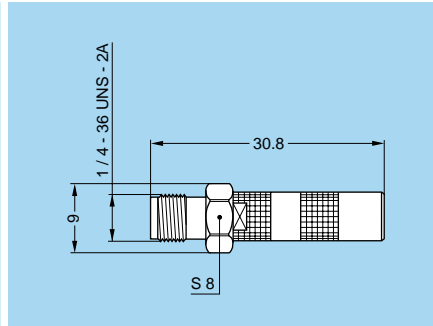
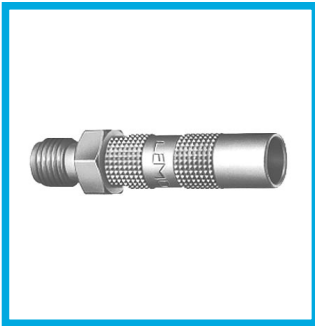
P8 Panel cut-out

● Available ○ On request



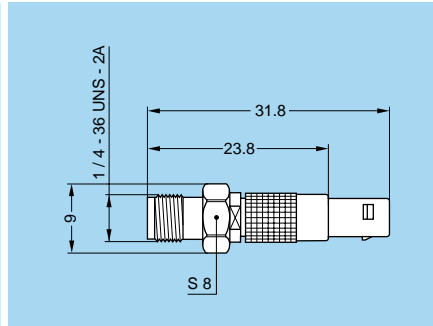
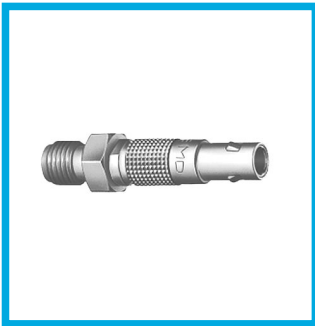
ASA Adaptor from LEMO receptacle to SMA plug

Part number	Weight (g)	Note
ASA.00.250.NTL	4.9	●



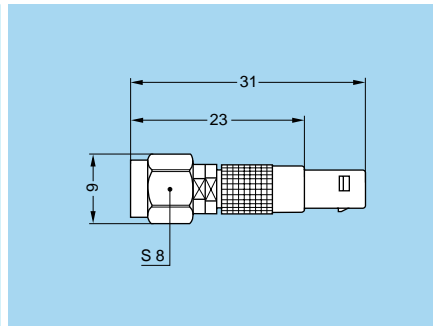
ASB Adaptor from LEMO receptacle to SMA receptacle

Part number	Weight (g)	Note
ASB.00.250.NTM	4.6	●



ASF Adaptor from LEMO plug to SMA receptacle

Part number	Weight (g)	Note
ASF.00.250.NTA	4.6	●

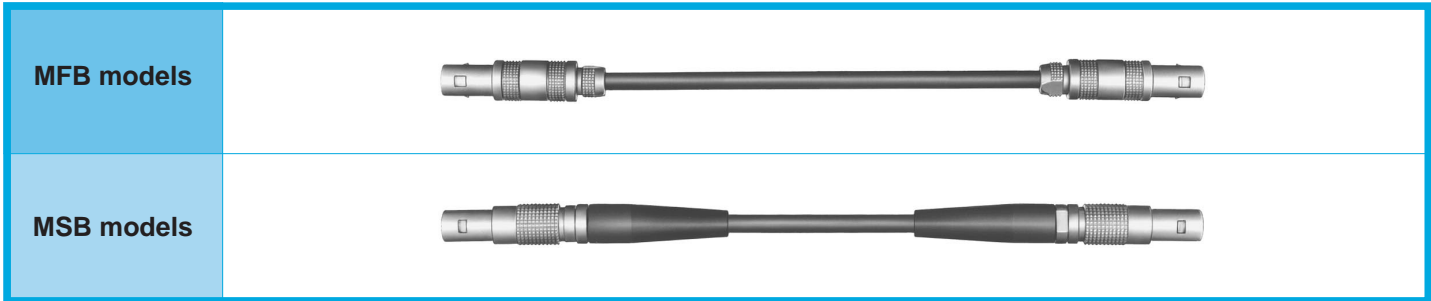


ASG Adaptor from LEMO plug to SMA plug

Part number	Weight (g)	Note
ASG.00.250.NTC	4.9	●

● Available ○ On request

Assembled Cables



Delay lines

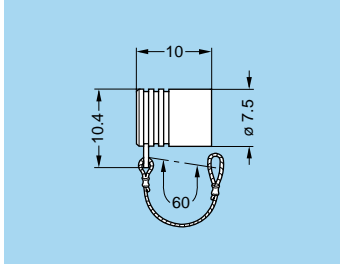
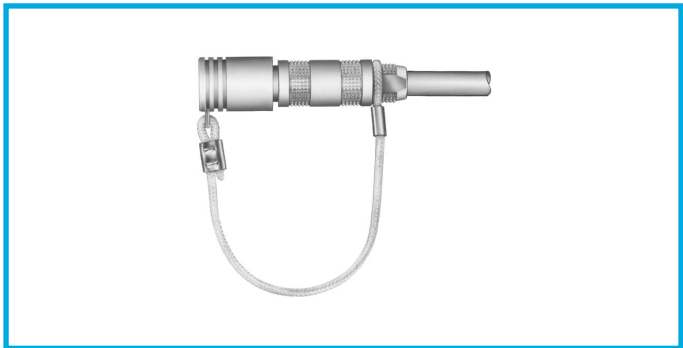
Part number	Delay (ns)	Part number
MFB.00.250.RTE005	0.5	MSB.00.250.RTE005
MFB.00.250.RTE010	1.0	MSB.00.250.RTE010
MFB.00.250.RTE020	2.0	MSB.00.250.RTE020
MFB.00.250.RTE030	3.0	MSB.00.250.RTE030
MFB.00.250.RTE040	4.0	MSB.00.250.RTE040
MFB.00.250.RTE050	5.0	MSB.00.250.RTE050
MFB.00.250.RTE060	6.0	MSB.00.250.RTE060
MFB.00.250.RTE080	8.0	MSB.00.250.RTE080
MFB.00.250.RTE100	10.0	MSB.00.250.RTE100
MFB.00.250.RTE160	16.0	MSB.00.250.RTE160
MFB.00.250.RTE200	20.0	MSB.00.250.RTE200
MFB.00.250.RTE320	32.0	MSB.00.250.RTE320
MFB.00.250.RTE640	64.0	MSB.00.250.RTE640

Assembled Cables

Part number	Length (cm)	Part number
MFB.00.250.LTE010	10	MSB.00.250.LTE010
MFB.00.250.LTE020	20	MSB.00.250.LTE020
MFB.00.250.LTE030	30	MSB.00.250.LTE030
MFB.00.250.LTE040	40	MSB.00.250.LTE040
MFB.00.250.LTE050	50	MSB.00.250.LTE050
MFB.00.250.LTE060	60	MSB.00.250.LTE060
MFB.00.250.LTE080	80	MSB.00.250.LTE080
MFB.00.250.LTE100	100	MSB.00.250.LTE100
MFB.00.250.LTE150	150	MSB.00.250.LTE150
MFB.00.250.LTE200	200	MSB.00.250.LTE200
MFB.00.250.LTE300	300	MSB.00.250.LTE300
MFB.00.250.LTE400	400	MSB.00.250.LTE400
MFB.00.250.LTE500	500	MSB.00.250.LTE500

Note: the standard cable used to manufacture these cable assemblies is CCH.99.281.505 (LEMO) as per IEC.50.2.1 standard. On request, this type of cable can be replaced by other coaxial cables. Other cable lengths are available on request.

Accessories



Fitting of the cord

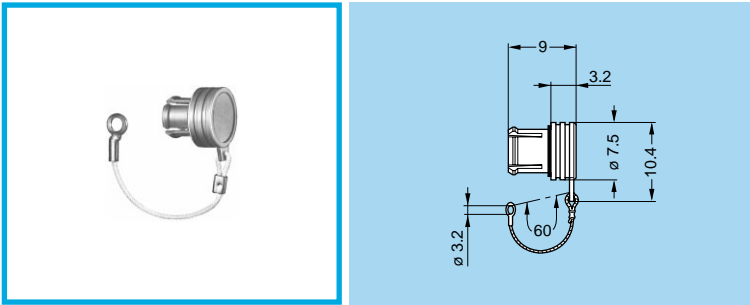
Slide the plug into the loop of the cord. Place the loop into the groove in front of the collet nut and tighten the loop.

BFA Plug Caps

Part number	Weight (g)
BFA.00.100.PCSG	0.7

Note: upon request, this cap can be supplied in black and the last letter "G" of the part number should be replaced with "N".

- Body material: Polyoxymethylen (POM) grey
- Cord material: Polyamid 6, white
- O ring material: Silicone rubber
- Maximum operating temperature: 100°C
- Watertightness: IP61 according to IEC 529



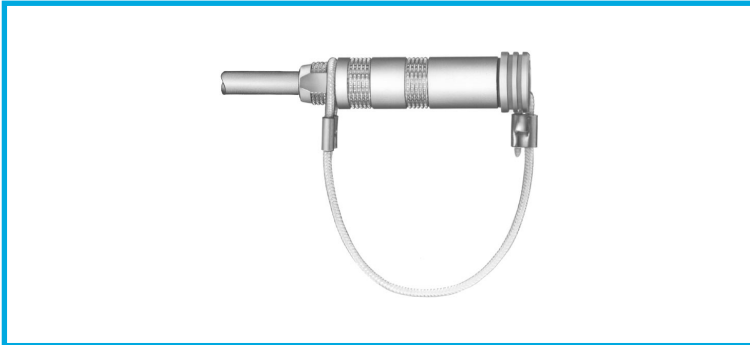
- Body material: Polyoxymethylen (POM) grey
- Cord material: Polyamid 6, white

BRA Blanking cap for fixed receptacle and free straight receptacle

Part number	Weight (g)
BRA.00.200.PCSG	0.6

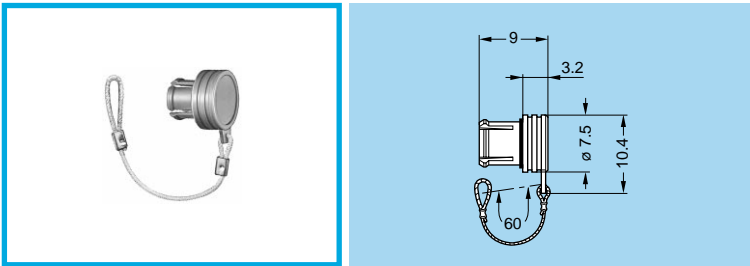
Note: upon request, this cap can be supplied in black and the last letter "G" of the part number should be replaced with "N".

- O-ring material: Silicone rubber
- Maximum operating temperature: 100°C
- Watertightness: IP61 according to IEC 529



Fitting of the cord

Slide the receptacle into the loop of the cord. Place the loop into the groove in front of the collet nut and tighten the loop.

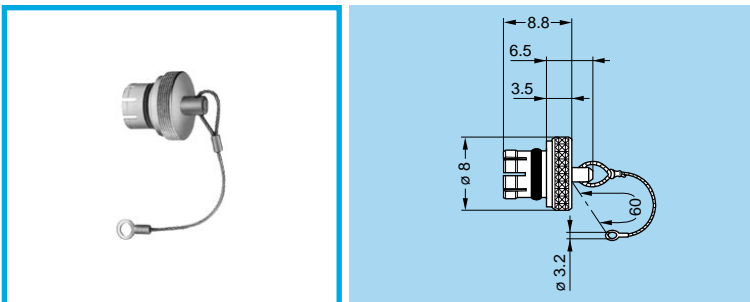


BRD Blanking cap for free receptacle

Part number	Weight (g)
BRD.00.200.PCSG	0.5

Note: upon request, this cap can be supplied in black and the last letter "G" of the part number should be replaced with "N".

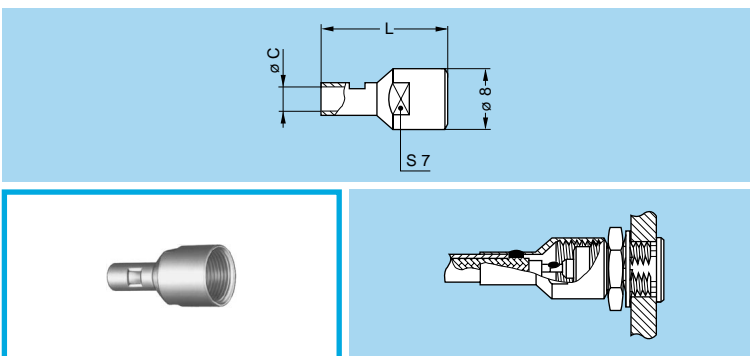
- Body material: Polyoxymethylen (POM) grey
- Cord material: Polyamid 6, white
- O-ring material: Silicone rubber
- Maximum operating temperature: 100°C
- Watertightness: IP61 according to IEC 529



BRE Blanking cap for fixed receptacle, free receptacle and coupler

Part number	Weight (g)
BRE.00.200.NAS	6.5

- Body material: Brass (UNS C 38500), nickel-plated (3 μm)
- Cable material: Stainless steel
- O-ring material: Silicone rubber or FPM
- Maximum operating temperature: 250°C
- Watertightness: IP61 according to IEC 529

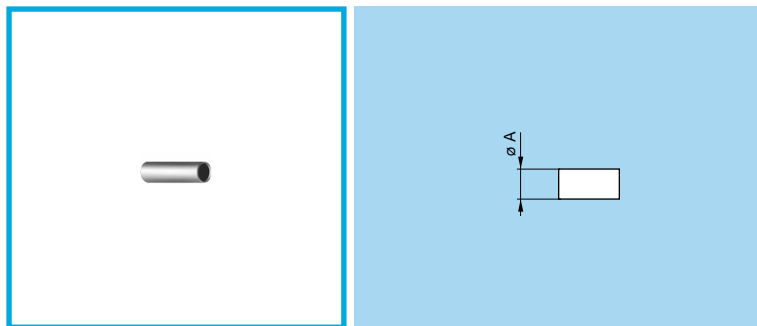


GCD Earthing cap

Part number	Cable group	Dim.	
		L	C
GCD.00.020.LA	1	12	2.0
GCD.00.032.LA	2-3-4	16	3.2
GCD.00.050.LA	6	19	5.0

Note: the braid of the cable should be soldered onto the back of the cap.

- Material: Brass (UNS C 38500) gold-plated (0.5 μm)

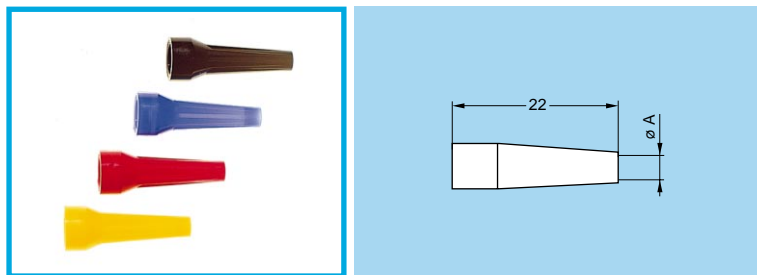


- Material: Copper (UNS C 18700) nickel-plated (3µm)

FFS Crimp ferrule

Part number	Cable group	Dim.
		ϕA
FFS.00.160.DN	1	3.1
FFS.00.161.MN	2-3-4	3.8
FFS.00.162.DN	8	4.4
FFS.00.163.DN	5	5.3
FFS.00.164.DN	6	6.2
FFV.00.160.DN	7	6.3

Note: receptacles and plugs to be crimped are always supplied with a crimp ferrule. To order this accessory separately, use the above part numbers.



Ref.	Color	Ref.	Color	Ref.	Color
A	blue	J	yellow	R	red
B	white	M	brown	S	orange
G	grey	N	black	V	green

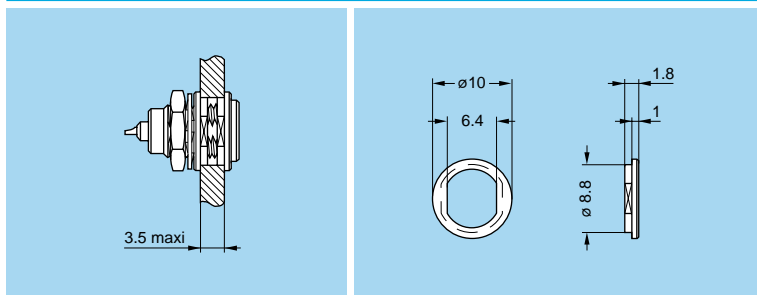
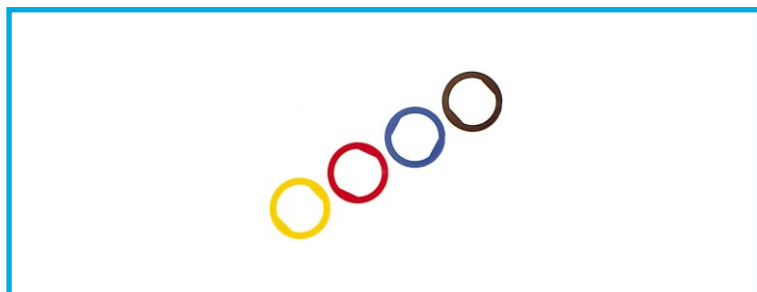
GMB Strain relief

Part number	ϕ Cable		Dim.	Nut for fitting the strain relief part nb
	max	min	A	
GMB.00.025.DG	2.8	2.5	2.5	FFM.00.130.LN
GMB.00.028.DG	3.1	2.8	2.8	FFM.00.130.LN
GMB.00.032.DG	3.5	3.2	3.2	FFM.00.130.LN

Note:

- for use with all crimp models and nut for fitting a strain relief
- the last letter of the part number "G" specifies the color grey. Refer to the table to the left to define another color and replace the letter "G" by the one corresponding to the color required.

- Material: Polyurethan (Desmopan 786)
- Operating temperature: -40°C + 80°C



GRA Insulating washers

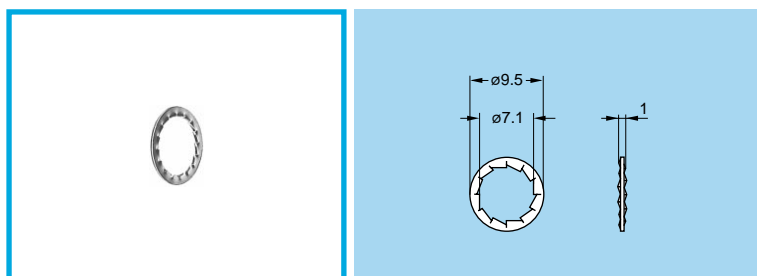
Part number	Weight (g)
GRA.00.269.GG	0.1

Note:

- receptacles and plugs mounted on panels can be fitted with insulating washers. The nine colors available combined with those for the strain reliefs makes color coding possible.
- the last letter of the part number "G" specifies the color grey. Refer to the table below to define another color and replace the letter "G" with the one corresponding to the color required.

- Material: Polyamid (PA.6)
- Operating temperature: -40°C + 80°C

Ref.	Color	Ref.	Color	Ref.	Color
A	blue	J	yellow	R	red
B	white	M	brown	S	orange
G	grey	N	black	V	green

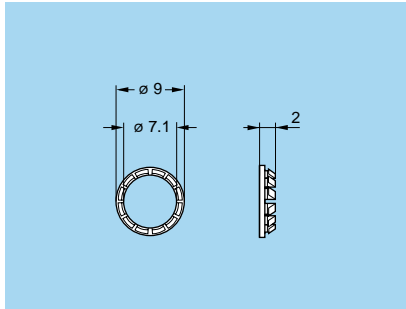
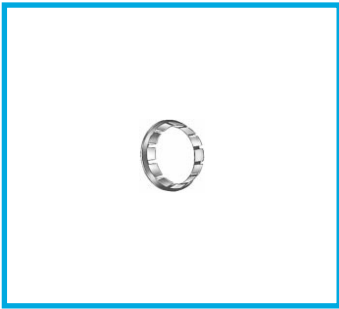


GBA Locking washer

Part number	Weight (g)
GBA.00.250.FN	0.2

Note: receptacles and plugs are always supplied with a locking washer. To order this accessory separately, use the above part number.

- Material: Brass (UNS C 52100) nickel-plated (3 µm)

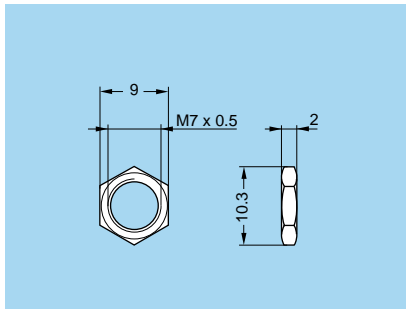


GBB Tapered washer

Part number	Weight (g)
GBB.00.250.LN	0.2

Note: to order this accessory separately, use the above part number.

- Material: Brass (UNS C 38500) nickel-plated (3 μm)

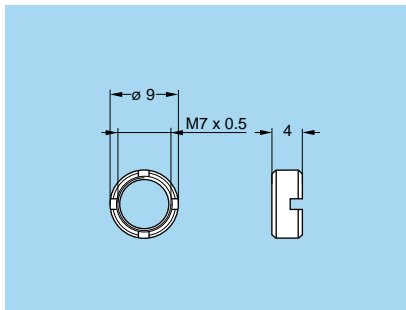


GEA Hexagonal nut

Part number	Weight (g)
GEA.00.240.LN	0.6

Note: receptacles and plugs are supplied with a hexagonal nut as standard. To order this accessory separately, use the above part number. The last letters "LN" of the part number refer to the nut material and treatment. If a nut in aluminum alloy is desired, replace the last letters of the part number by "PT".

- Material:
 - Brass (UNS C 38500) nickel-plated (3 μm)
 - Aluminum alloy (AA 6012) natural anodized

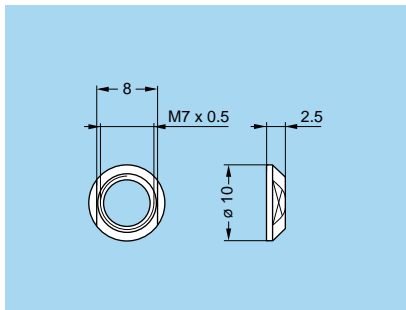
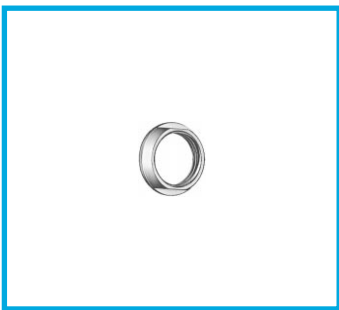


GEB Round nut

Part number	Weight (g)
GEB.00.240.LN	0.8

Note: to order this accessory separately, use the above part number.

- Material: Brass (UNS C 38500) nickel-plated (3 μm)

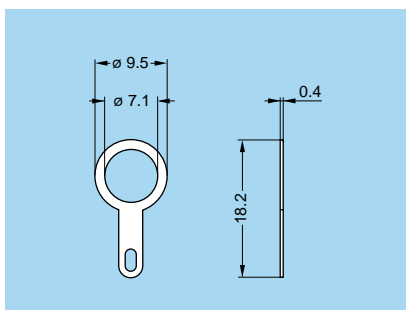
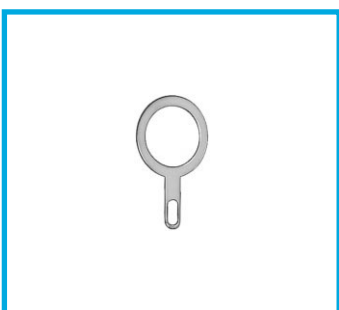


GEC Conical nut

Part number	Weight (g)
GEC.00.240.LN	0.6

Note: to order this accessory separately, use the above part number.

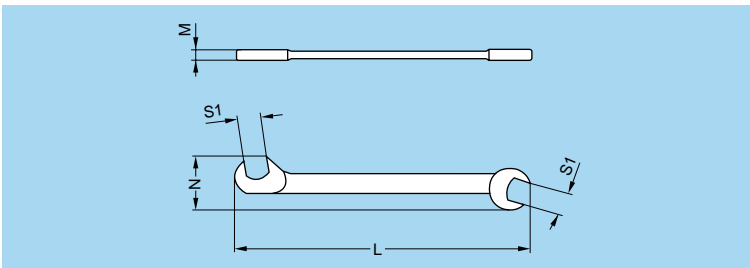
- Material: Brass (UNS C 38500) nickel-plated (3 μm)



GCA Earthing Washer

Part number	Weight (g)
GCA.00.255.LT	0.2

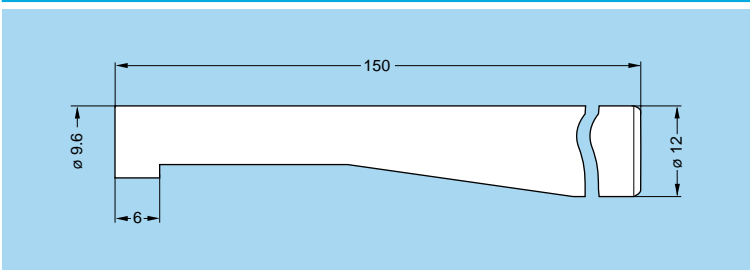
- Material: Brass (UNS C 27400) treated CuSnZn (2 μm)



DCP Collet nut wrench

Part number	Dimensions			
	L	M	N	S1
DCP.99.045.TC	70	2	10.5	4.5
DCP.99.050.TC	78	2	12.6	5.0
DCP.99.055.TC	78	2	12.6	5.5
DCP.99.060.TC	78	2	12.6	6.0

- Material: Chrome-plated steel

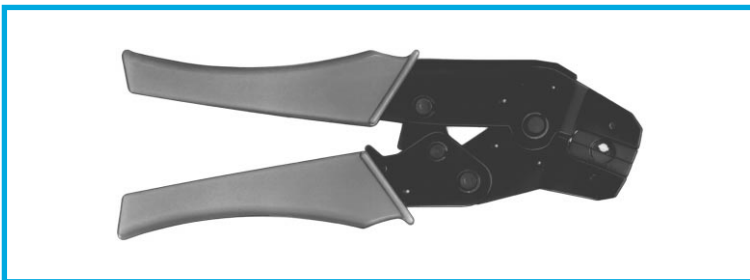


DCR Extraction tool for plugs

Part number
DCR.91.106.PT

- Material: Aluminum alloy

Note: this type of tool has been produced in order to facilitate the mating and unmating of plugs and is particularly useful in high density applications.



DPE Crimping tool with die

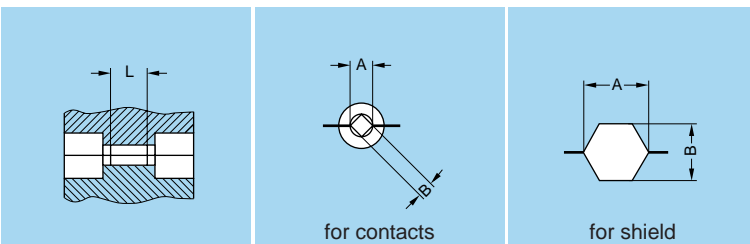
Part number	Cable group
DPE.99.123.1K	1
DPE.99.123.8K	2-3-4
DPE.99.124.3K	8
DPE.99.125.2K	5
DPE.99.176.2K	6-7



DPN Dies

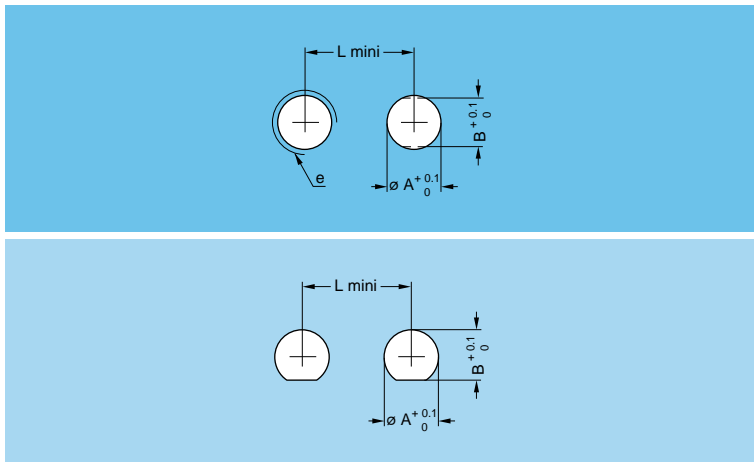
Part number	Cable group	Die dimension				
		For contacts			For shield	
		A	B	L	A	B
DPN.99.123.1K	1	1.29	0.91	2.0	3.10	2.70
DPN.99.123.8K	2-3-4	1.29	0.91	2.0	3.80	3.30
DPN.99.124.3K	8	1.29	0.91	2.0	4.36	3.78
DPN.99.125.2K	5	1.29	0.91	2.0	5.20	4.50
DPN.99.176.2K	6-7	1.71	1.21	2.5	6.20	5.37

- Die material: Blackened steel



Cut-Out

Panel cut-out

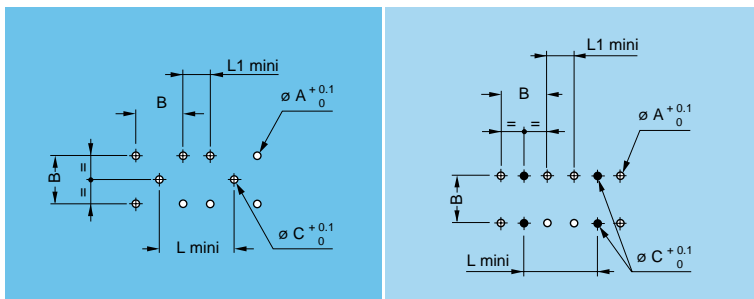


Cut-out	Model	Dimensions			
		A	B	L	e
P1	HGP-HGW-SWH-ECP EPE-EPS-FAB-EWF	7.1	-	14.5	-
P2	EWV	-	-	12.0	M7x0.5
P3	ERC	-	-	9.0	M7x0.5
P4	ERT	7.0 _{0.02}	-	-	-
P5	Other models 1)	7.1	6.5	14.5	-
P6	ABB	9.7	9.0	15.0	-
P7	ABD	12.9	11.7	20.5	-
P8	ANC	16.1	13.7	24.0	-

Note: 1) If these models are used with a tapered washer GBB, the panel cut-out must be according P1.

Recommended mounting nut torque: 2.5 Nm.

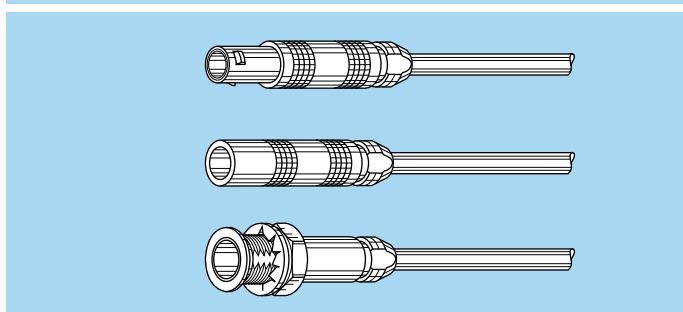
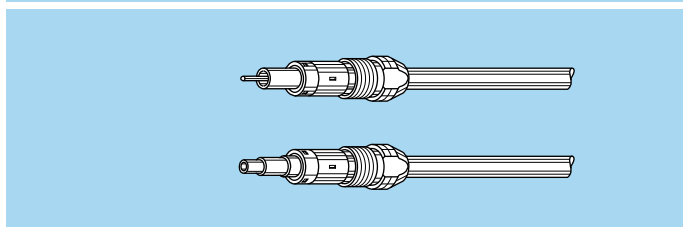
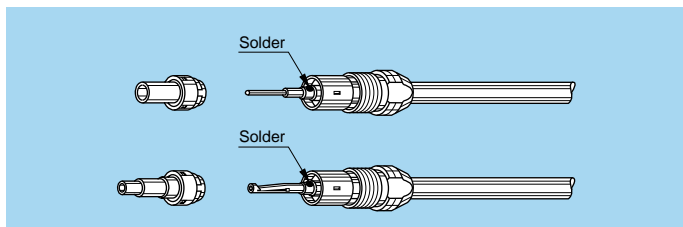
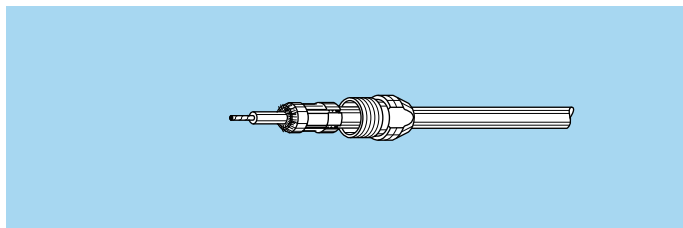
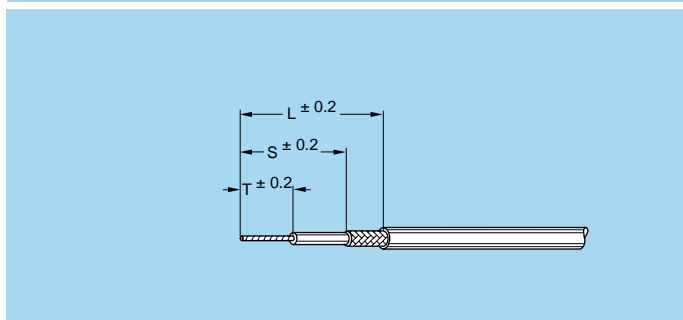
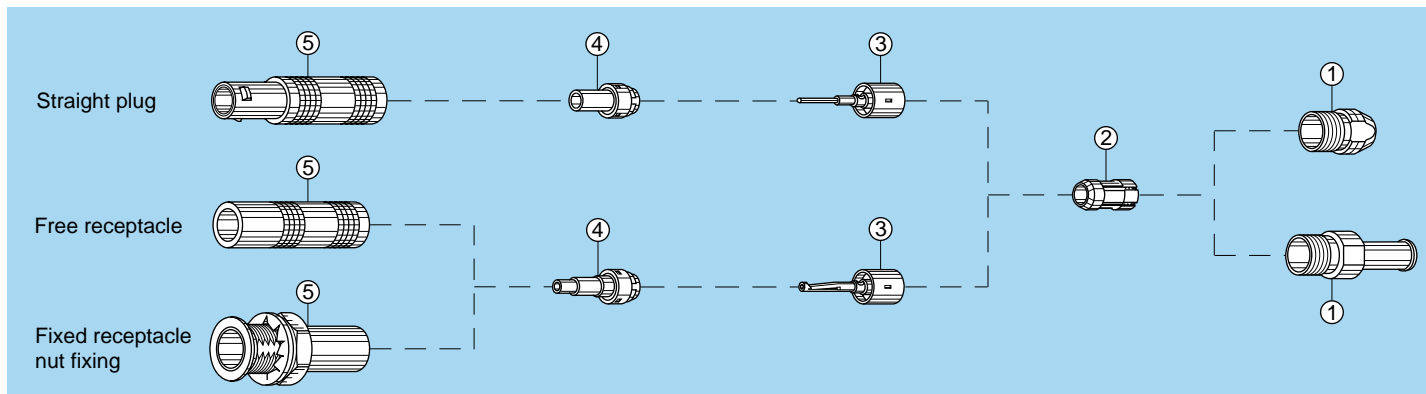
PCB drilling pattern



Cut-out	Model	Dimensions				
		A	B	L	L1	C
P9	EPN	0.9	5.08	-	2.0	-
P10	Other models	0.8	5.08	8.0	2.9	0.8
P11	FPA	0.8	5.08	8.0	2.9	1.0
P12	EPE-EPS	0.8	5.08	14.5	9.4	0.8
P13	EPY	0.8	5.08	9.0	3.9	0.8

Terminated Instructions

Terminating of plugs and straight receptacles with cable collet M1 M2 M3



1. Cable preparation

First place the strain relief (if to be used) on the cable. Strip the cable according to dimensions below.

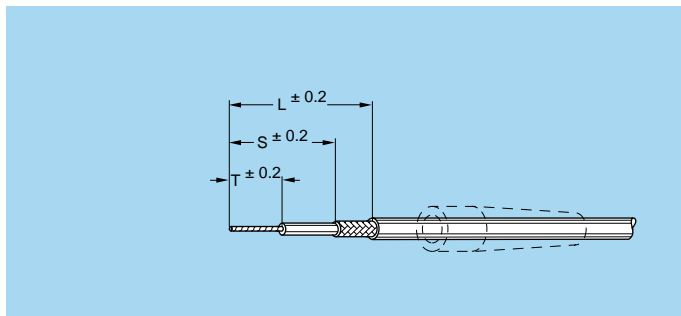
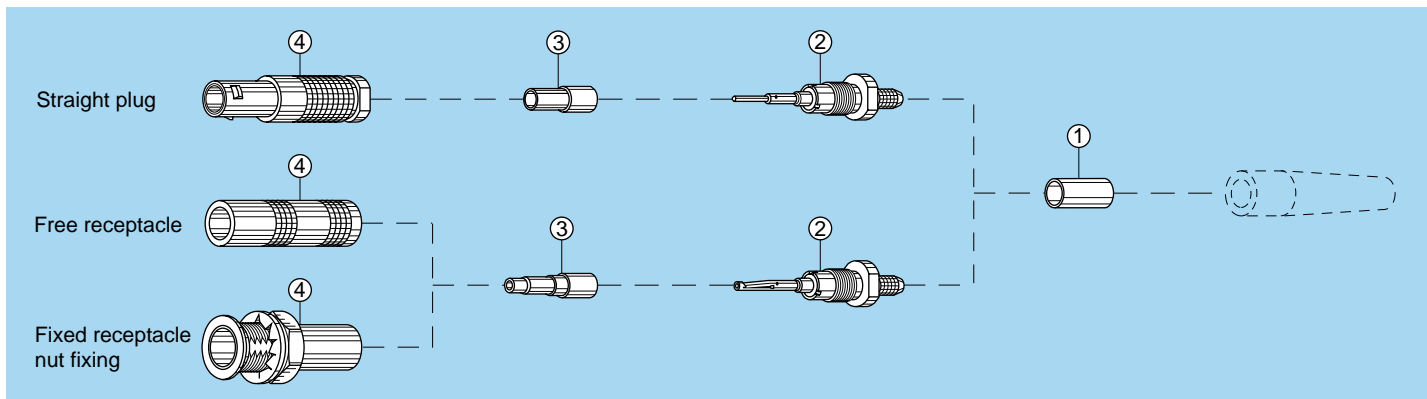
Cable group	M1			M2			M3		
	T	S	L	T	S	L	T	S	L
1-2-3-4-8	4	4.5	8	-	-	-	5	5	8
6-7	-	-	-	7.5	8.5	13	-	-	-

2. Cable termination

- 2.1 Place the collet nut ① and the collet ② on the cable. Fold back the shield braid onto the conical part of the collet, and trim to the outer edge of the collet.
- 2.2 Slide the subassembly ③ to trap the shield braid and solder the center conductor into the contact.
- 2.3 Slide the insulator ④ onto the subassembly ③ until it rests against the earthing sleeve of the subassembly ③.
- 2.4 Slide the assembly into the connector outer shell ⑤. Screw the collet nut ① into the connector outer shell ⑤ using the appropriate tool and tighten to a torque of 0.25 Nm (see "Tooling" on page 31 and 32). Push the strain relief (if used) onto the collet nut.

Note: these terminating instructions apply to the following models:
M1 = FFA, FFE, FFF, PCA, PSA
M2 = FFY
M3 = FFC

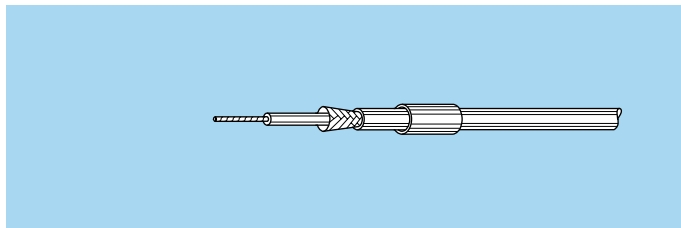
Terminating of plugs and straight receptacles with cable crimping (crimp contact) M4



1. Cable preparation

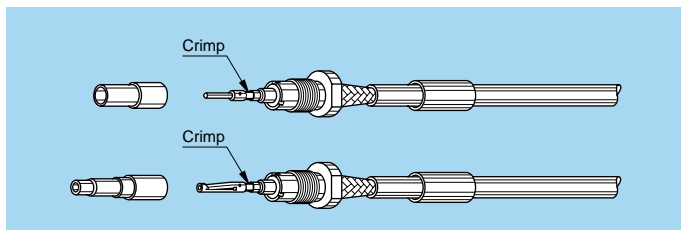
First place the strain relief (if to be used) on the cable. Strip the cable according to dimensions below.

Cable group	M4		
	T	S	L
1-2-3-4-5-8	7	15	19.5
6-7	7	15	21.5

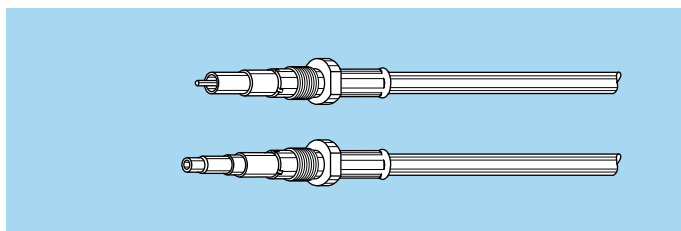


2. Cable termination

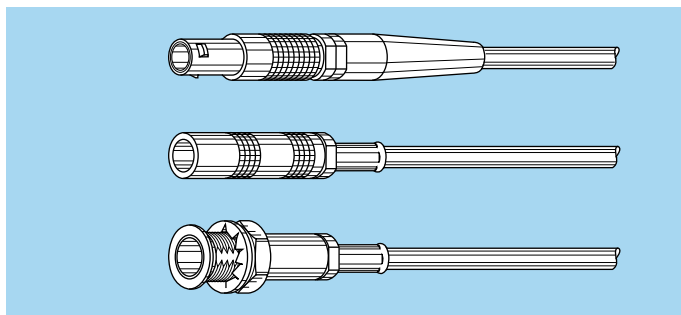
2.1 Place crimp ferrule ① on the cable. Widen the shield braid. Slide the subassembly ② into the cable until the insulator rests against the dielectric and the cable conductor is visible through the contact inspection hole.



2.2 Crimp the contact with the LEMO crimping tool using the square hole (see "Tooling" on page 32). Gently pull the cable in order to check the crimping.



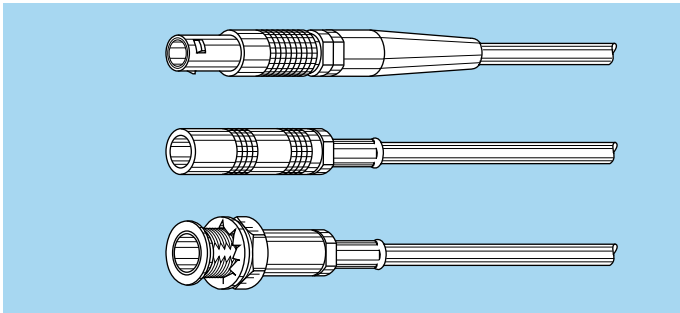
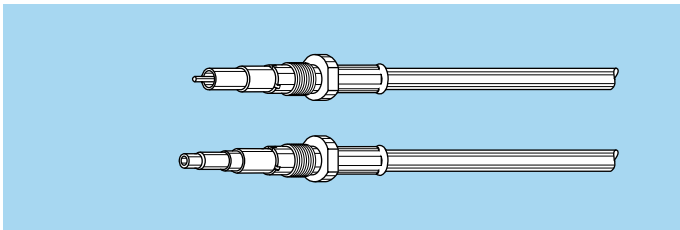
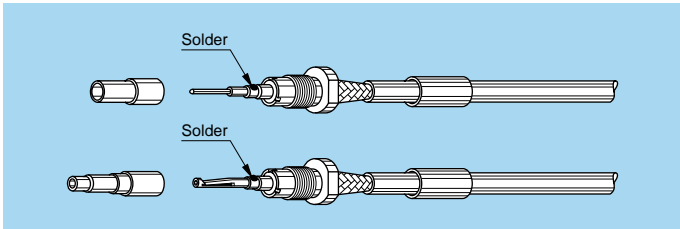
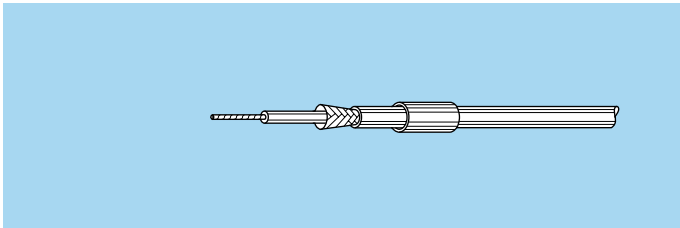
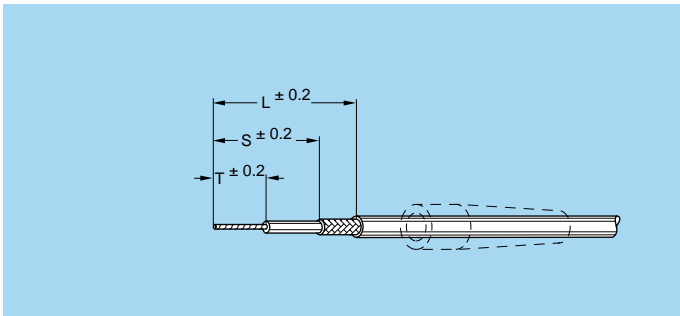
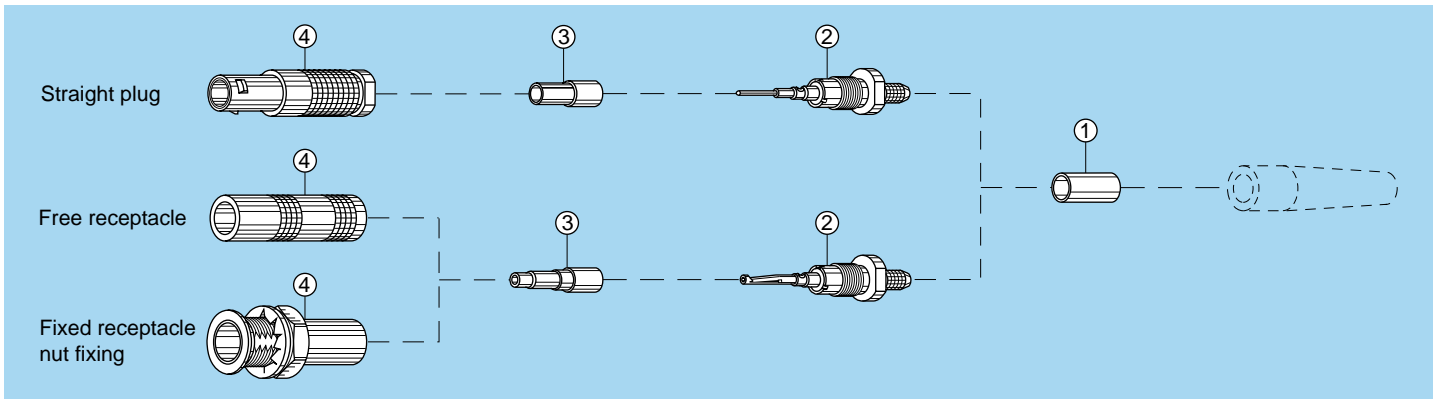
2.3 Slide the crimp ferrule ① onto the braiding until it rests against the crimp backnut of the subassembly ②. Crimp with the same LEMO crimping tool using the hexagonal opening. Slide the insulator ③ onto the subassembly ②.



2.4 Slide the assembly into the connector shell ④ and screw it onto the subassembly ②. Tighten using the appropriate tool to a torque of 0.25 Nm (see "Tooling" on page 31 and 32). Push the strain relief (if used) onto the crimp ferrule ①.

Note: these terminating instructions apply to the following models:
M4 = FFS, FFV, PCS, PSS, PES

Terminating of plugs and straight receptacles with cable crimping (solder contact) M5



1. Cable preparation

First place the strain relief (if to be used) on the cable. Strip the cable according to dimensions below.

Cable group	M5		
	T	S	L
1-2-3-4-5-8	5	12	17
6-7	5	12	19

2. Cable terminating

2.1 Place the crimp ferrule ① on the cable. Widen the shield braid. Slide the subassembly ② over the cable until the insulator rests against the dielectric and the cable conductor is visible through the contact solder hole.

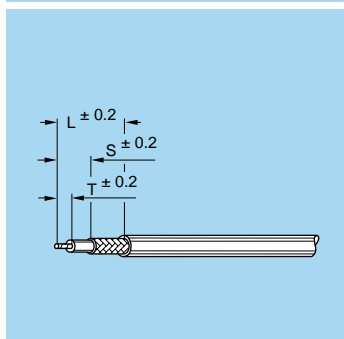
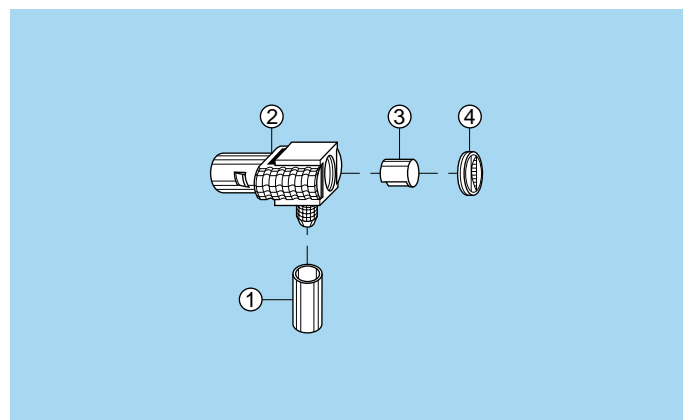
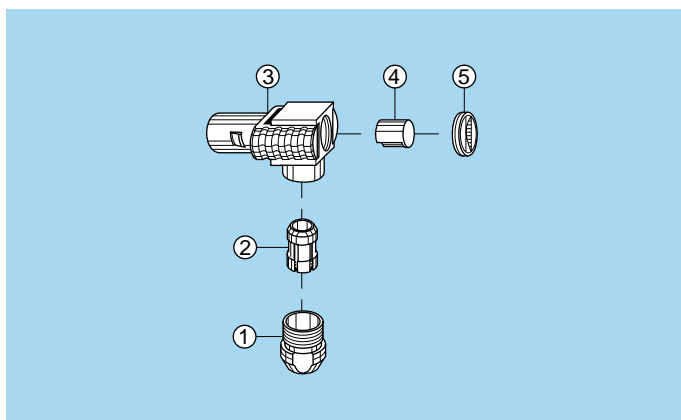
2.2 Solder the conductor through the hole.

2.3 Slide the crimp ferrule ① onto the shield until it rests against the crimp backnut of the subassembly ②. Crimp with the LEMO crimping tool using the hexagonal opening (see "Tooling" on page 32). Slide the insulator ③ onto the subassembly ②.

2.4 Slide the assembly into the connector shell ④ and screw it onto the subassembly ②. Tighten using the appropriate tool to a torque of 0.25 Nm (see tooling on pages 31 and 32). Push the strain relief (if used) onto the crimp ferrule.

Note: these terminating instructions apply to the following models:
M5 = FFS, FFV, PCS, PSS, PES

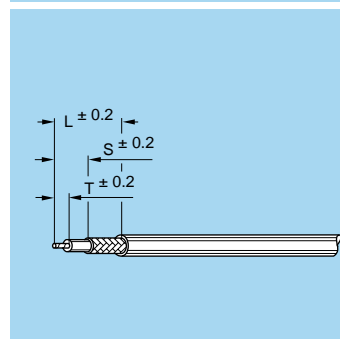
Terminating of elbow plugs (90°) with cable collet **M6** and cable crimp **M7**



1. Cable preparation

First place the strain relief (if to be used) on the cable. Strip the cable according to dimensions below.

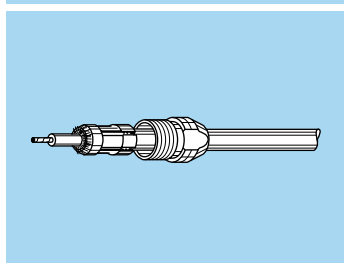
Cable group	M6		
	T	S	L
1-2-3-4-8	1	3.5	6.5



1. Cable preparation

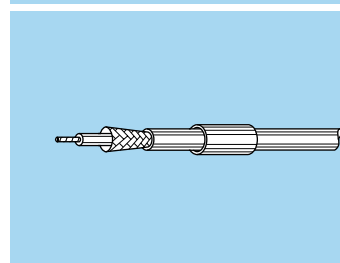
First place the strain relief (if to be used) on the cable. Strip the cable according to dimensions below.

Cable group	M7		
	T	S	L
1-2-3-4-8	1	4.5	9
6-7	3	4.5	11



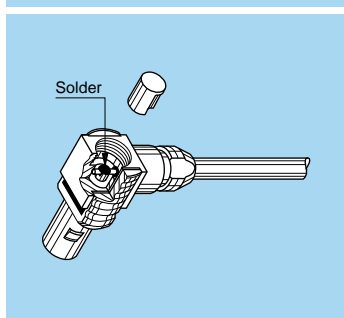
2. Cable terminating

2.1 Place the crimp ferrule ① and collet ② on the cable. Fold back the shield braid onto the conical part of the collet, and trim to outer edge of the collet.

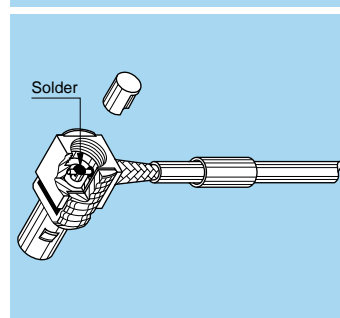


2. Cable terminating

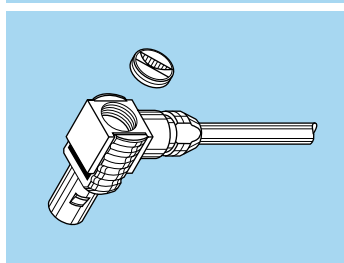
2.1 Place the cable crimp ferrule ① on the cable and widen the braiding.



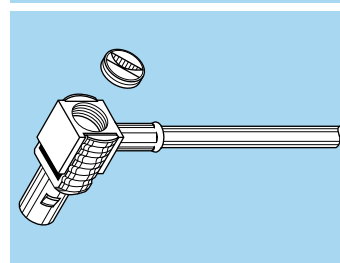
2.2 Slide the assembly into the connector shell ③ and tighten the collet nut ① using the appropriate tool to a torque of 0.25 Nm (see "Tooling" on page 31 and 32). Check that the cable conductor rests in the contact slot, solder the conductor through the hole.



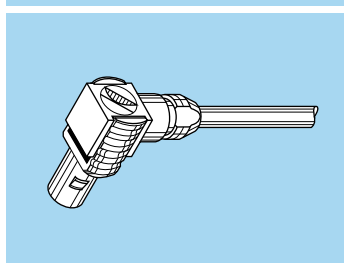
2.2 Slide the cable into the connector shell ②. Check that cable conductor rests in the contact slot, tin solder the conductor through the hole. Slide the crimp ferrule ① over the braiding until it reaches the connector shell ②. Crimp with the LEMO crimp tool using the hexagonal opening (see "Tooling" on page 32).



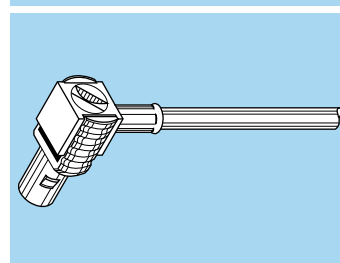
2.3 Place the insulating sleeve ④ over the soldered contact.



2.3 Place the insulating sleeve ③ over the soldered contact.



2.4 Close the access hole with the flat screw ⑤. Push the strain relief (if used) onto the collet nut ①.



2.4 Close the connector hole with the flat screw ④. Push the strain relief (if used) onto the crimping tube ①.

Note: these terminating instructions apply to the following models:

M6 = FLA

Note: these terminating instructions apply to the following models:

M7 = FLS, FLV

Recommended coaxial cables

Dimensions and characteristics

Standard / Part number (supplier)			Imp. (Ω)	Construction and dimensions									Weight kg/100 m
				Conductor			Dielectric		Shield		Sheath		
MIL-C-17	CCTU 10-01A	CEI 96-2		Construction	Mat.	\varnothing	Mat.	\varnothing	Mat.	\varnothing	Mat.	\varnothing	
RG.58C/U	KX 15	50-3-1	$50 \pm 2 \Omega$	19x0.18	CuSn	0.90	PE	2.95	CuSn	3.60	PVC*	4.95	3.80
RG.142B/U		-	$50 \pm 2 \Omega$	solid	CuStAg	0.95	PTFE	2.95	CuAg CuAg	2 nd : 4.20	FEP	4.95	6.60
RG.174A/U	KX 3A	50-2-1	$50 \pm 2 \Omega$	7x0.16	CuSt	0.48	PE	1.50	CuSn	2.00	PVC*	2.60	1.10
RG.178B/U	KX 21A	50-1-1	$50 \pm 2 \Omega$	7x0.10	CuStAg	0.30	PTFE	0.87	CuAg	1.40	FEP	1.80	0.85
RG.179B/U		75-2-1	$75 \pm 3 \Omega$	7x0.10	CuStAg	0.30	PTFE	1.50	CuAg	2.00	FEP	2.50	1.50
RG.180B/U		-	$95 \pm 5 \Omega$	7x0.10	CuStAg	0.30	PTFE	2.60	CuAg	3.10	FEP	3.60	3.20
RG.187A/U		75-2-2	$75 \pm 3 \Omega$	7x0.10	CuStAg	0.30	PTFE	1.50	CuAg	2.00	PTFE	2.60	1.60
RG.188A/U		50-2-3	$50 \pm 2 \Omega$	7x0.18	CuStAg	0.54	PTFE	1.50	CuAg	2.00	PTFE	2.60	1.60
RG.196A/U		50-1-2	$50 \pm 2 \Omega$	7x0.10	CuStAg	0.30	PTFE	0.87	CuAg	1.37	PTFE	2.10	1.10
RG.316/U	KX 22A	50-2-2	$50 \pm 2 \Omega$	7x0.18	CuStAg	0.54	PTFE	1.50	CuAg	2.10	FEP	2.50	1.60
8216	(Belden)	50-2-1	$50 \pm 2 \Omega$	7x0.16	CuSt	0.48	PE	1.52	CuSn	-	PVC	2.55	-
8262	(Belden)	50-3-1	$50 \pm 2 \Omega$	19x0.18	CuSn	0.90	PE	2.95	CuSn	-	PVC	4.95	-
83265	(Belden)	50-1-1	$50 \pm 2 \Omega$	7x0.10	CuStAg	0.30	PTFE	0.86	CuAg	-	FEP	1.85	-
83269	(Belden)	-	$50 \pm 2 \Omega$	7x0.17	CuStAg	0.51	PTFE	1.52	CuAg	-	PTFE	2.60	-
83284	(Belden)	50-2-2	$50 \pm 2 \Omega$	7x0.17	CuStAg	0.51	PTFE	1.52	CuAg	-	FEP	2.50	-
HF-2114	(Dätwyler)	-	$50 \pm 2 \Omega$	7x0.16	Cu	0.48	PE	1.32	Cu	1.9	PVC	2.70	1.15
CCH.99.281.505	(Lemo) ¹⁾	50-2-1	$50 \pm 2 \Omega$	7x0.18	Cu	0.54	PE	1.50	Cu	2.2	PoF	2.80	1.30
421.099	(Storm)	-	$50 \pm 2 \Omega$	7x0.16	CuStAg	0.50	PTFE	1.52	CuAg CuAg	1 st : 2.00 2 nd : 2.50	FEP	3.05	1.95
G02232D-60	(H+S)	-	$50 \pm 2 \Omega$	7x0.16	Cu	0.50	PE	1.50	CuAg CuSn	1 st : 1.95 2 nd : 2.50	PVC	3.10	2.10

Notes: all dimensions are in millimeters.
¹⁾ Fire resistant according IEC 332-1.

Cu	Bare copper	FEP	Extruded Fluorethylenpropylen	PVC	Polyvinylchlorid
CuAg	Silver-plated copper	PE	Polyethylen	PVC*	Polyvinylchlorid
CuSn	Tinned copper	PoF	Polyolefin		(Qual.IIa MIL-C-17)
CuSt	Copper-plated steel	PTFE	Wrapped or extruded		
CuStAg	Silvered copper plated steel		Polytetrafluorethylen		

Technical tables

VSWR effect on transmitted power

VSWR	VSWR (dB)	Return loss (dB)	Transmiss. loss (dB)	Reflected voltage coefficient	Transmit. power (%)	Reflected power (%)
1.00	0		0.000	0.00	100.0	0.0
1.01	0.1	46.1	0.000	0.00	100.0	0.0
1.02	0.2	40.1	0.000	0.01	100.0	0.0
1.03	0.3	36.6	0.001	0.01	100.0	0.0
1.04	0.3	34.2	0.003	0.03	100.0	0.0
1.05	0.4	32.3	0.003	0.02	99.9	0.1
1.06	0.5	30.7	0.004	0.03	99.9	0.1
1.07	0.6	29.4	0.005	0.03	99.9	0.1
1.08	0.7	28.3	0.006	0.04	99.9	0.1
1.09	0.7	27.3	0.008	0.04	99.8	0.2
1.10	0.8	26.4	0.010	0.05	99.8	0.2
1.11	0.9	25.7	0.012	0.05	99.7	0.3
1.12	1.0	24.9	0.014	0.06	99.7	0.3

VSWR	VSWR (dB)	Return loss (dB)	Transmiss. loss (dB)	Reflected voltage coefficient	Transmit. power (%)	Reflected power (%)
1.13	1.1	24.3	0.016	0.06	99.6	0.4
1.14	1.1	23.7	0.019	0.07	99.6	0.4
1.15	1.2	23.1	0.021	0.07	99.5	0.5
1.16	1.3	22.6	0.024	0.07	99.5	0.5
1.17	1.4	22.1	0.027	0.08	99.4	0.6
1.18	1.4	21.7	0.030	0.08	99.3	0.7
1.19	1.5	21.2	0.033	0.09	99.2	0.8
1.20	1.6	20.8	0.036	0.09	99.2	0.8
1.21	1.7	20.4	0.039	0.10	99.1	0.9
1.22	1.7	20.1	0.043	0.10	99.0	1.0
1.23	1.8	19.7	0.046	0.10	98.9	1.1
1.24	1.9	19.4	0.050	0.11	98.9	1.1
1.25	1.9	19.1	0.054	0.11	98.8	1.2

Conversion millimeters-inches Tables

(mm)	(in)	(mm)	(in)	(mm)	(in)	(mm)	(in)	(mm)	(in)	(mm)	(in)
0.02	0.0007	1.37	0.0539	3.90	0.1535	8.90	0.3504	16.00	0.6299	29.50	1.1614
0.03	0.0011	1.40	0.0551	4.00	0.1575	9.00	0.3543	16.10	0.6338	30.00	1.1811
0.10	0.0039	1.50	0.0590	4.36	0.1716	9.40	0.3701	17.00	0.6693	30.80	1.2125
0.16	0.0062	1.52	0.0598	4.50	0.1771	9.50	0.3740	17.50	0.6889	31.00	1.2204
0.18	0.0071	1.60	0.0629	5.00	0.1968	9.60	0.3779	17.80	0.7007	31.80	1.2519
0.20	0.0078	1.70	0.0669	5.08	0.1999	9.70	0.3818	18.00	0.7086	32.00	1.2598
0.30	0.0118	1.71	0.0673	5.20	0.2047	10.00	0.3937	18.20	0.7165	33.00	1.2992
0.40	0.0157	1.80	0.0708	5.37	0.2114	10.30	0.4055	18.50	0.7283	33.50	1.3188
0.48	0.0188	2.00	0.0787	5.50	0.2165	10.40	0.4094	19.00	0.7480	34.00	1.3385
0.50	0.0196	2.10	0.0826	5.80	0.2283	10.50	0.4134	19.50	0.7677	34.50	1.3582
0.51	0.0201	2.20	0.0866	6.00	0.2362	10.70	0.4212	20.00	0.7874	35.70	1.4055
0.54	0.0212	2.42	0.0953	6.20	0.2441	10.80	0.4252	20.50	0.8071	36.00	1.4173
0.60	0.0236	2.50	0.0984	6.30	0.2480	11.00	0.4331	20.60	0.8110	40.00	1.5748
0.70	0.0275	2.60	0.1023	6.40	0.2519	11.50	0.4527	21.00	0.8267	41.00	1.6141
0.80	0.0315	2.70	0.1063	6.50	0.2559	11.70	0.4606	21.50	0.8464	42.00	1.6535
0.86	0.0338	2.80	0.1102	6.80	0.2677	12.00	0.4724	21.80	0.8582	43.00	1.6929
0.87	0.0342	2.95	0.1161	7.00	0.2755	12.60	0.4961	22.00	0.8661	45.00	1.7716
0.90	0.0354	3.00	0.1181	7.10	0.2795	12.90	0.5078	23.00	0.9055	45.50	1.7913
0.91	0.0358	3.05	0.1201	7.40	0.2913	13.00	0.5118	23.80	0.9370	46.50	1.8307
0.95	0.0374	3.10	0.1220	7.50	0.2952	13.70	0.5393	24.00	0.9448	50.00	1.9685
1.00	0.0393	3.20	0.1259	8.00	0.3149	14.00	0.5512	25.00	0.9842	60.00	2.3622
1.21	0.0476	3.30	0.1299	8.30	0.3267	14.30	0.5629	25.50	1.0039	65.00	2.5590
1.29	0.0507	3.50	0.1378	8.60	0.3385	14.50	0.5708	26.00	1.0236	70.00	2.7559
1.30	0.0512	3.78	0.1488	8.70	0.3425	15.00	0.5905	28.00	1.1023	78.00	3.0708
1.32	0.0519	3.80	0.1496	8.80	0.3464	15.50	0.6102	28.50	1.1220	150.00	5.9055